

A

B

C

D

TX-1000/U/TX-2000

PRINTED CIRCUIT BOARD (Pattern Side)

1

2

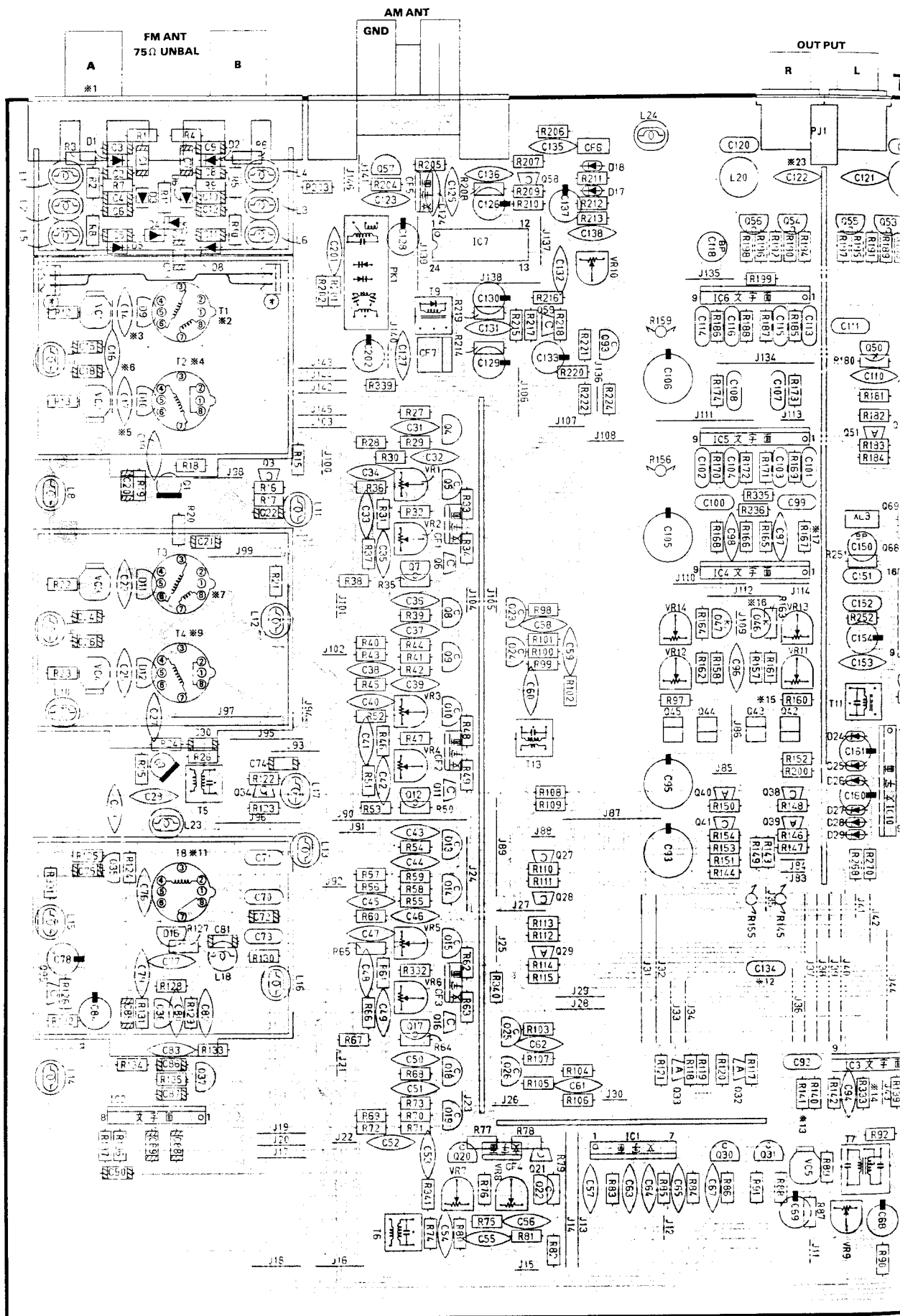
3

4

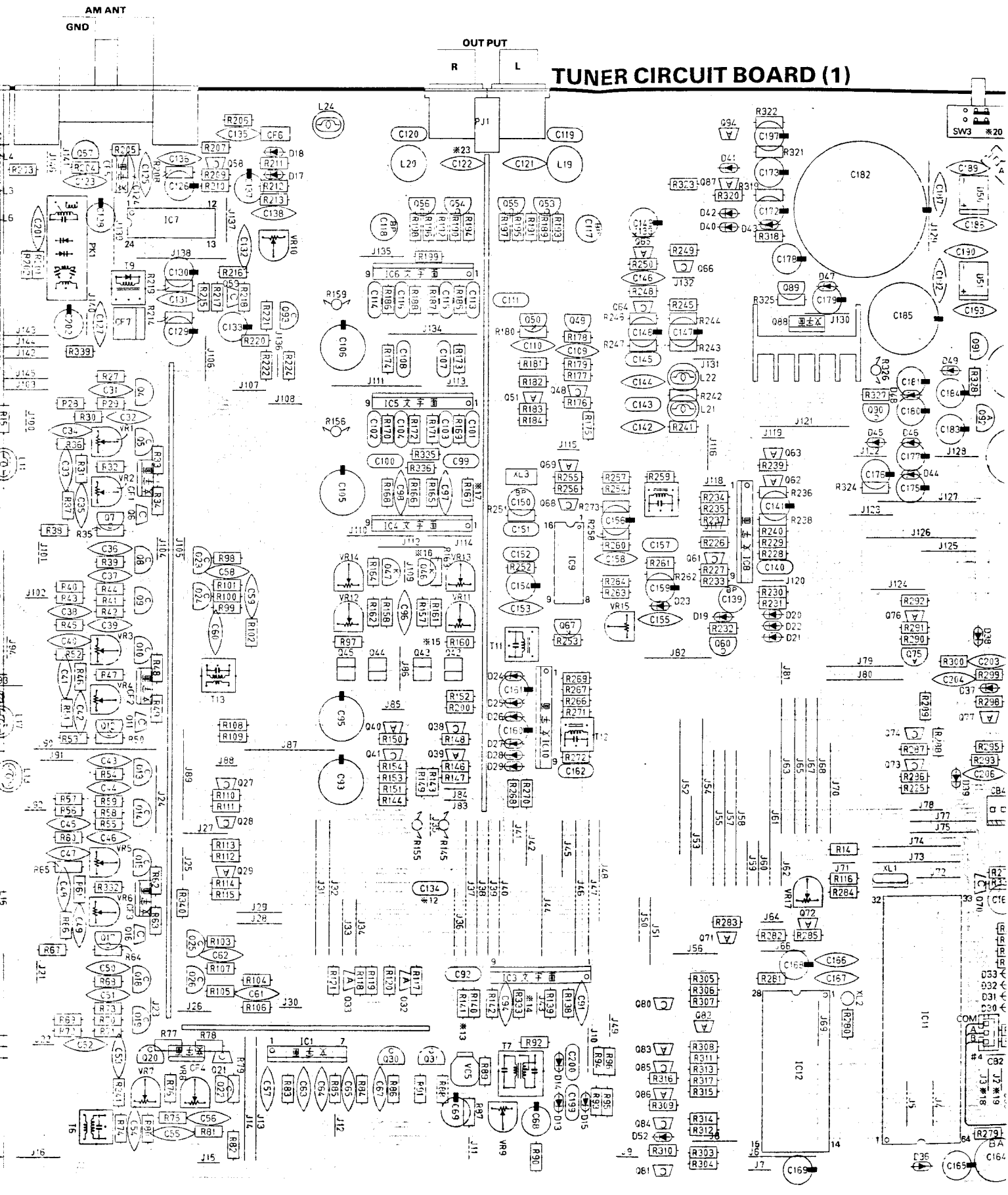
5

6

7

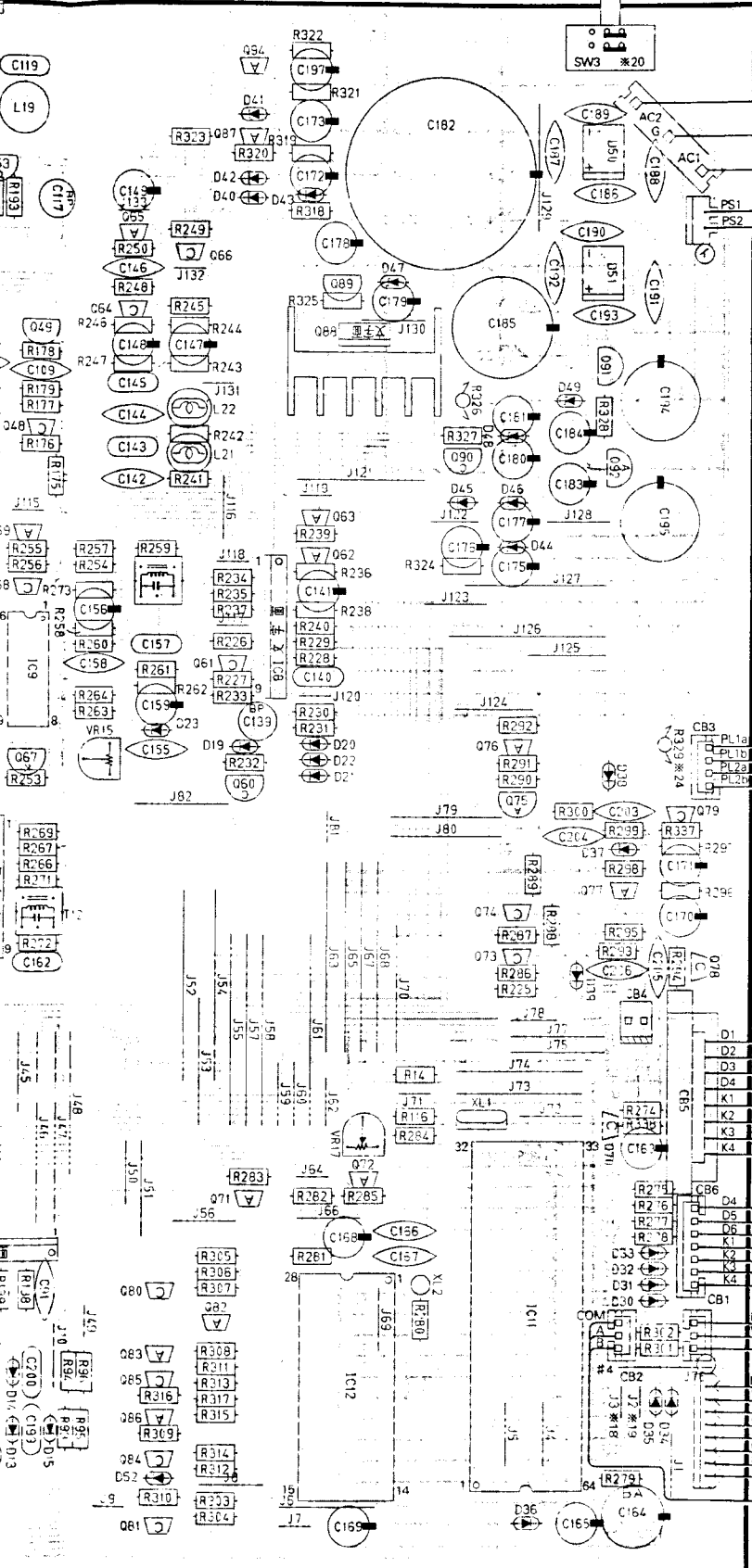


For Service Manuals Contact
 MAURITRON TECHNICAL SERVICES
 8 Cherry Tree Rd, Chinnor
 Oxon OX9 4QY
 Tel: 01844-351694 Fax: 01844-352554
 Email: enquiries@mauritron.co.uk



※ 文字面 : Component Side

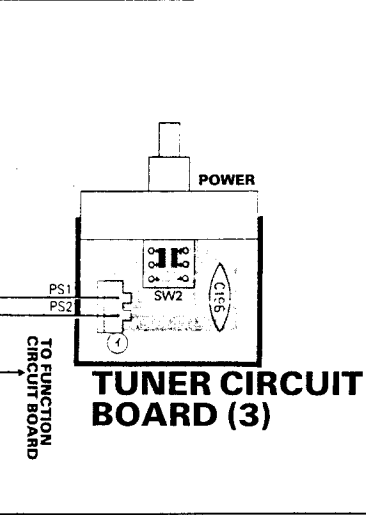
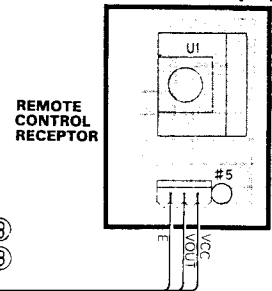
TUNER CIRCUIT BOARD (1)



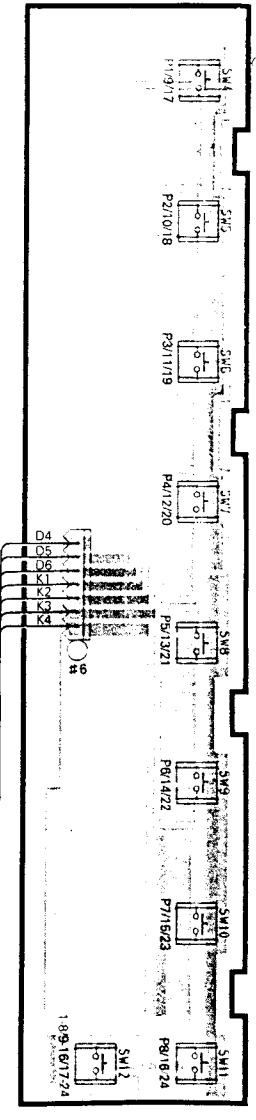
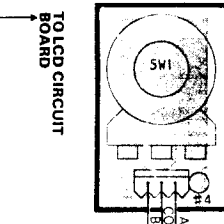
1	J.C	2	A.B	3	ANT
2	VF4780	VF46740			ANT
3	VF4733		VF4740		ANT
4	VF4733	VF4733			ANT
5	VF4733	VF4733			ANT
6	VF4733	VF4733			ANT
7	VF4733	VF4733			ANT
8	VF4733	VF4733			ANT
9	VF4733	VF4733			ANT
10	VF4733	VF4733			ANT
11	VF4733	VF4733			ANT
12	VF4733	VF4733			ANT
13	VF4733	VF4733			ANT
14	VF4733	VF4733			ANT
15	VF4733	VF4733			ANT
16	VF4733	VF4733			ANT
17	VF4733	VF4733			ANT
18	VF4733	VF4733			ANT
19	VF4733	VF4733			ANT
20	VF4733	VF4733			ANT
21	VF4733	VF4733			ANT
22	VF4733	VF4733			ANT

TUNER CIRCUIT BOARD (5)

TUNER CIRCUIT BOARD (2)



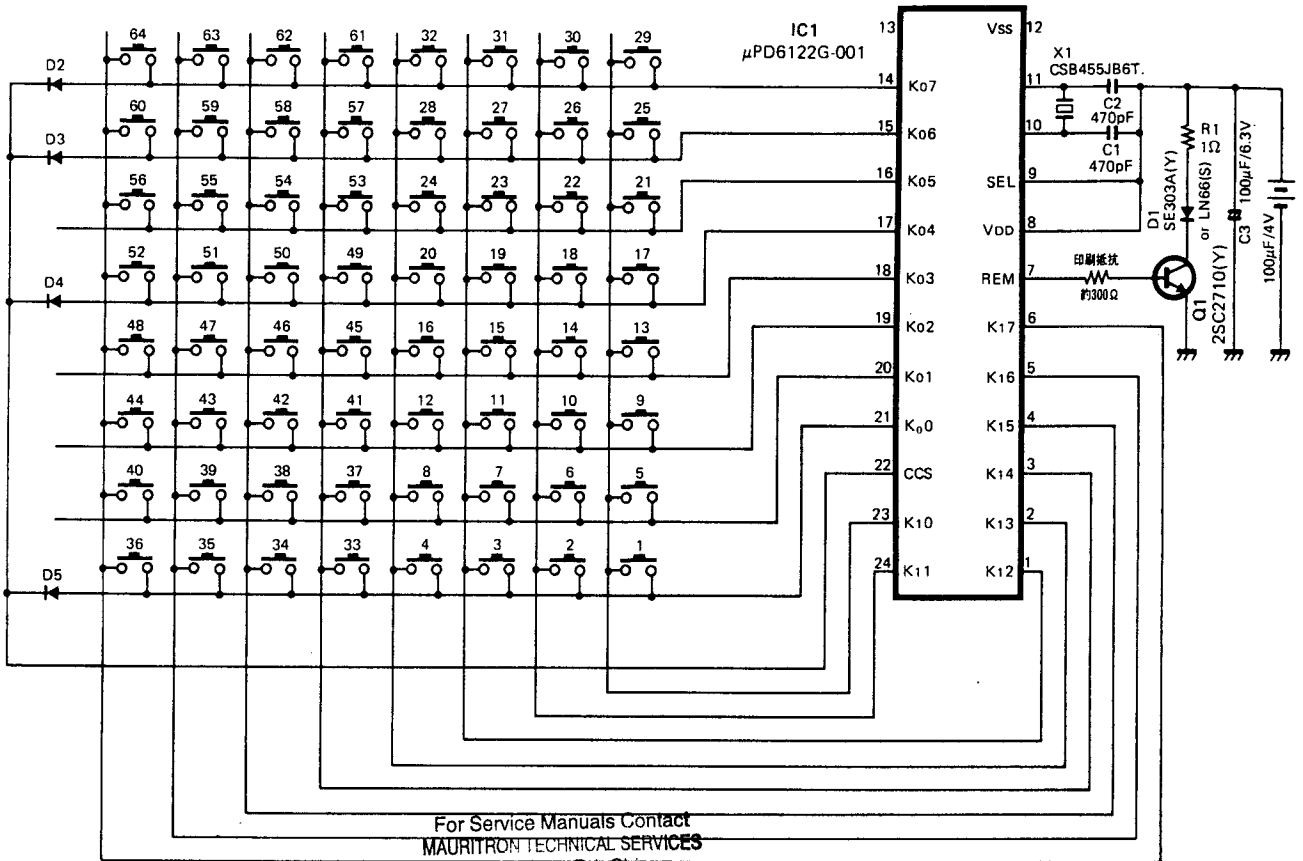
TUNER CIRCUIT BOARD (4)



For Service Manuals Contact
MAURITRON TECHNICAL SERVICES
 8 Cherry Tree Rd, Chinnor
 Oxon OX9 4QY
 Tel: 01844-351604 Fax: 01844-352554
 Email: enquiries@mauritron.co.uk

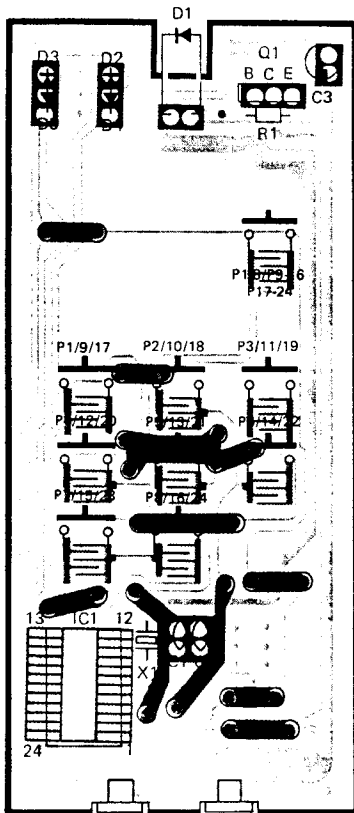
REMOTE CONTROL TRANSMITTER (RS-TX1000, RS-TX2000)

SCHEMATIC DIAGRAM

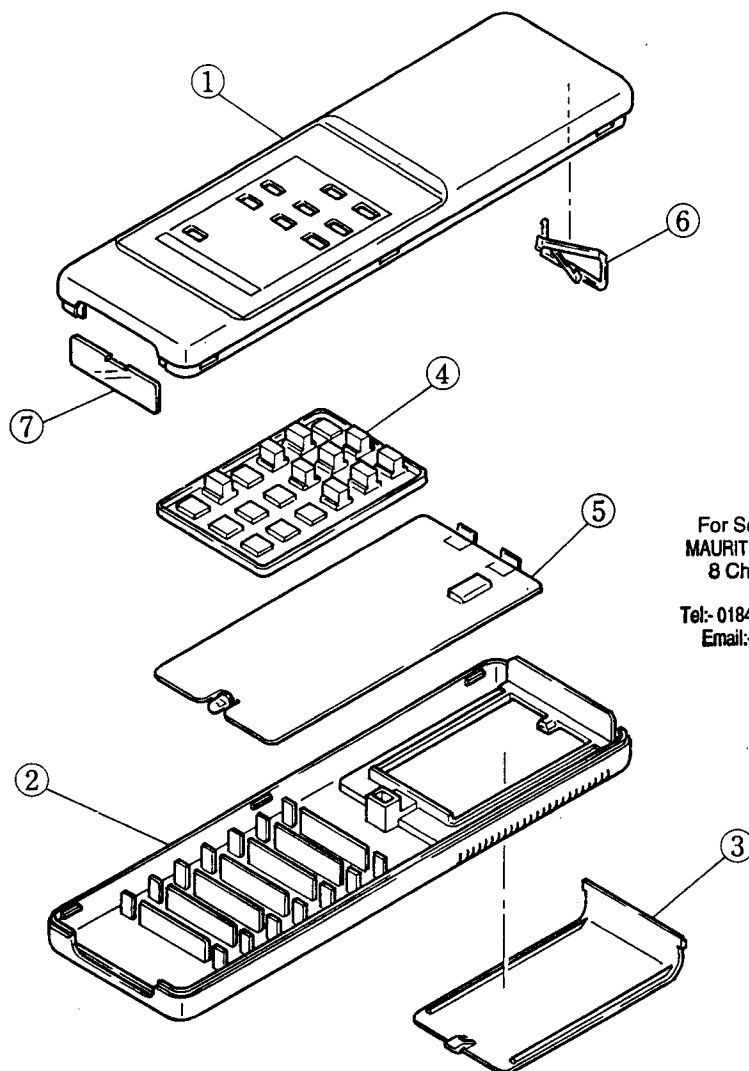


For Service Manuals Contact
MAURITRON TECHNICAL SERVICES
 8 Cherry Tree Rd, Chinnor
 Oxon OX9 4QY
 Tel:- 01844-351694 Fax:- 01844-352554
 Email:- enquiries@mauritron.co.uk

PRINTED CIRCUIT BOARD



KEY NO.	DATA CODE	FUNCTION
1	00	
2	01	
3	02	
4	03	
5	04	
6	05	
7	06	
8	07	
9	08	
10	09	
11	0A	
12	0B	
13	0C	
14	0D	P1-8/9-16/17-24
15	0E	P1
16	0F	P2
17	10	P3
18	11	P4
19	12	P5
20	13	P6
21	14	P7
22	15	P8
23	16	
24	17	
25	18	
26	19	
27	1A	
28	1B	
29	1C	
30	1D	
31	1E	
32	1F	



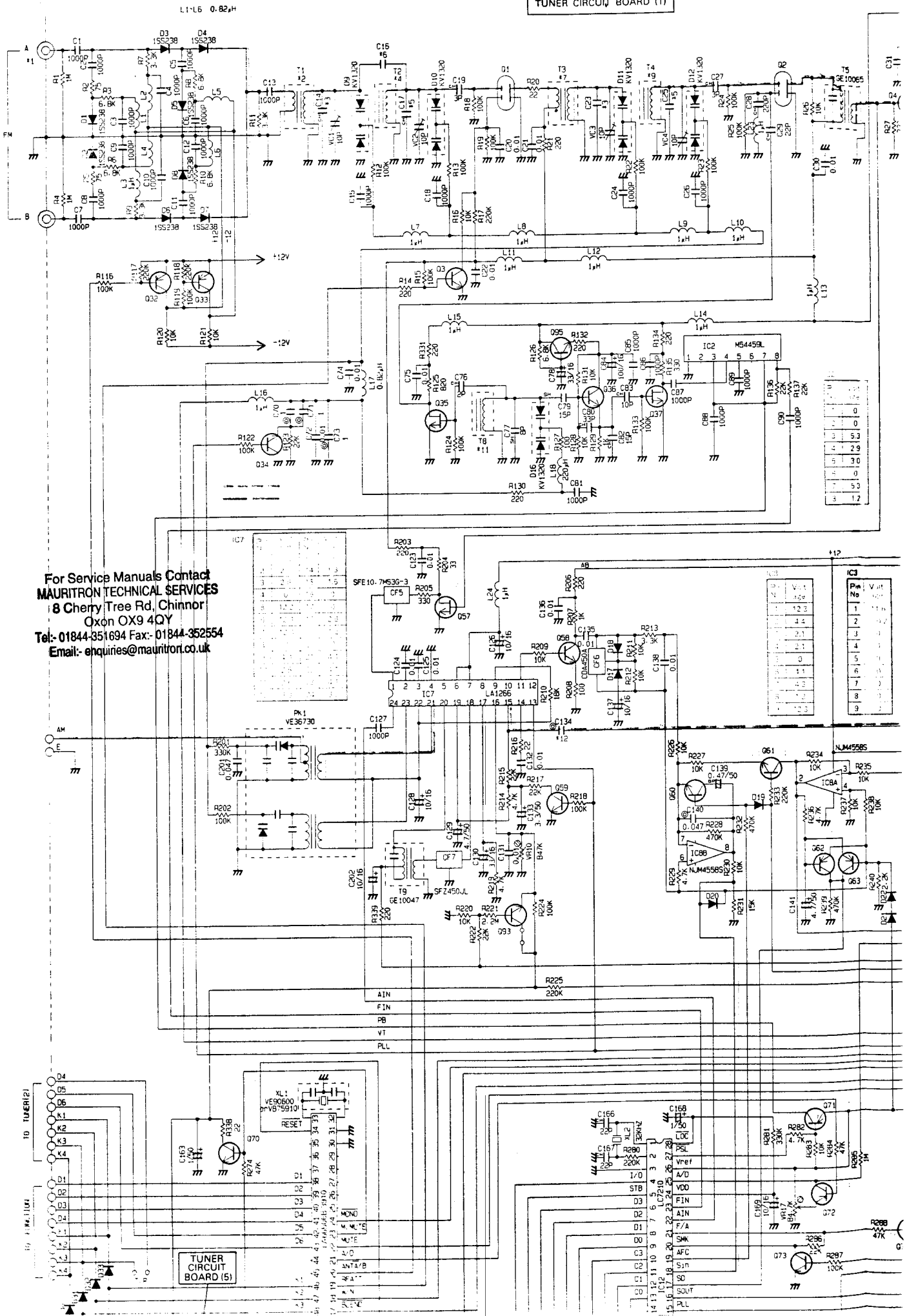
For Service Manuals Contact
MAURITRON TECHNICAL SERVICES
 8 Cherry Tree Rd, Chinnor
 Oxon OX9 4QY
 Tel:- 01844-351694 Fax:- 01844-352554
 Email:- enquiries@mauritron.co.uk

Ref. No.	Part No.	Description	部品名	Remarks	Common Model	Markets	ランク
※	VF 43 20 00	Remote Control Transmitter	RS-TX2000	リモートコントロール トランスミッター		J	
※	VF 43 18 00	◇	RS-TX1000	◇		U,C,R,A,B,G	
※	1 CX 60 49 40	Case (A) Ass'y	RS-TX2000	ケース (A) Ass'y	UR64VCS671	J	
※	◇ CX 60 49 60	◇	RS-TX1000	◇	UR64VCS670	U,C,R,A,B,G	
2	CX 60 27 70	Case (B)		ケース (B)	UR64CS263B	RS-A2000	
3	CX 60 27 80	Lid, Battery		電池 蓋	UR64EC264B	RS-A2000	
※	4 CX 60 49 50	Rubber, Contact	RS-TX2000	ゴム 接点	UR64CT266Q		
※	◇ CX 60 49 70	◇	RS-TX1000	◇	UR64CT266P		
※	5 NX 60 27 60	P.C. Board Ass'y		プリント基板 Ass'y	UR64VPB573		
6	LX 60 02 80	Battery Terminal (A)		電池 電極板 (A)	UR52FD101	RS-KW5	
7	CX 60 05 10	Filter		スモーク板	UR52SB327		
※	NX 60 27 60	P.C. Board Ass'y		プリント基板 Ass'y			
※	iX 61 16 30	IC	μPD6122G001	IC1			
※	QX 60 01 50	Ceramic Resonator	CSB455JB6T	セラミック振動子	X1		
※	iX 61 24 00	Transistor	2SC2710 (Y)	トランジスター	Q1		
	iF 00 47 00	LED	SE303AY	赤外発光ダイオード	D1		
	FG 21 21 00	Ceramic Cap.	100pF 50V	セラコン	C1, 2		
	UJ 11 74 70	Electrolytic Cap.	47μF 6.3V	ケミコン	C3		
	iX 60 34 80	Diode	MA154WK	ダイオード	D2~5		
	LX 60 02 90	Battery Terminal (B)		電池 電極板 (B)			

※New Parts (新規部品)

SCHEMATIC DIAGRAM

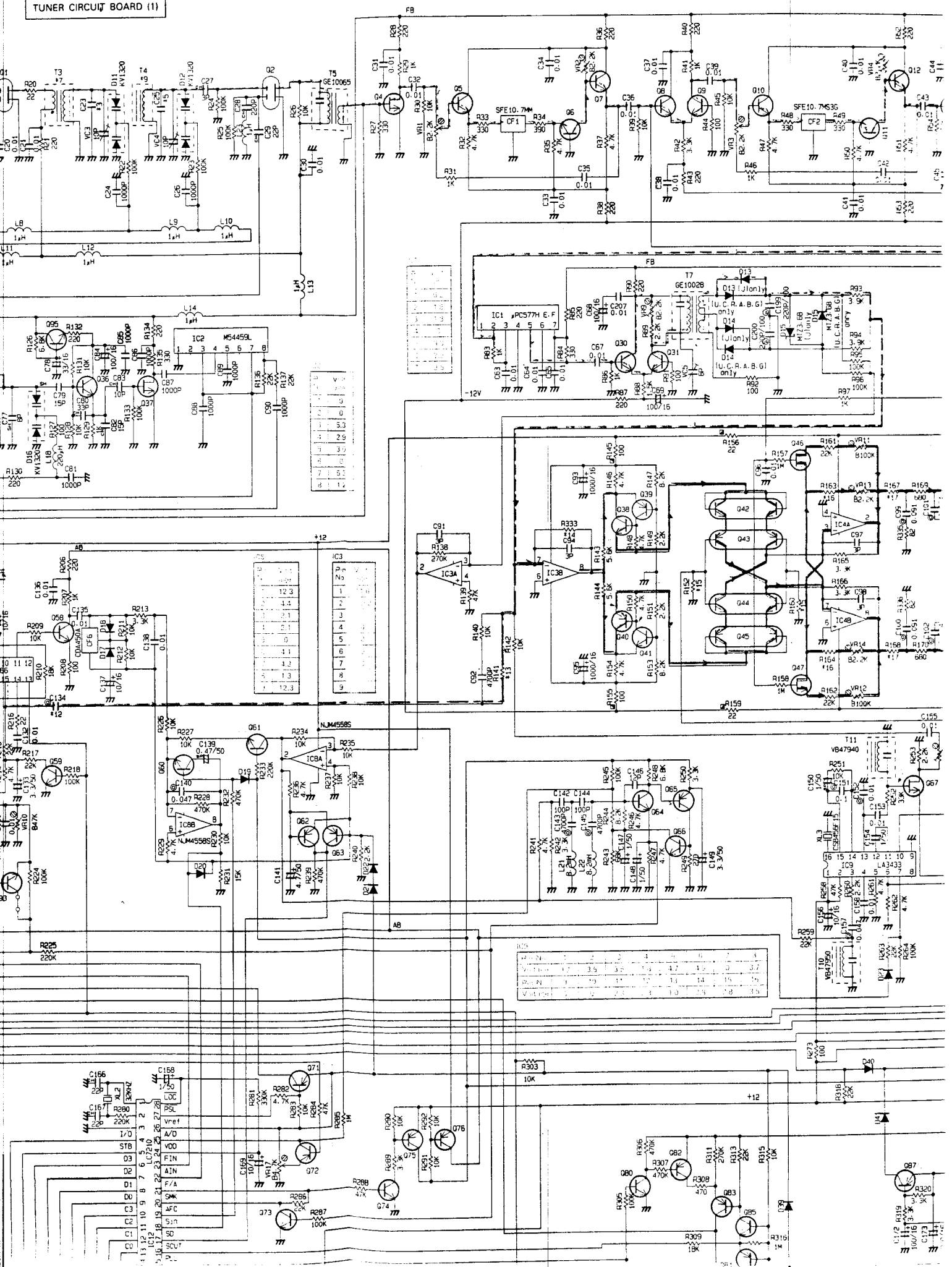
TUNER CIRCUIT BOARD (1)



For Service Manuals Contact
MAURITRON TECHNICAL SERVICES
 8 Cherry Tree Rd, Chinnor
 Oxon OX9 4QY
 Tel:- 01844-351694 Fax:- 01844-352554
 Email:- enquiries@mauritron.co.uk

TUNER CIRCUIT BOARD (5)

TUNER CIRCUIT BOARD (1)

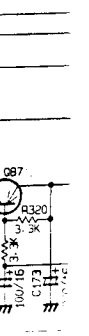
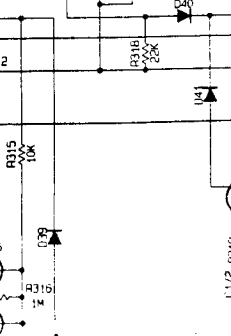
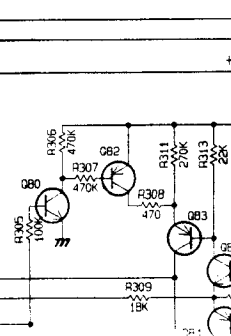
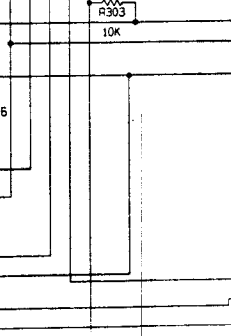
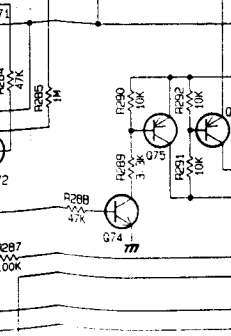
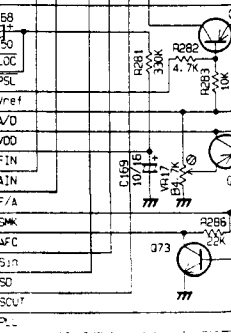
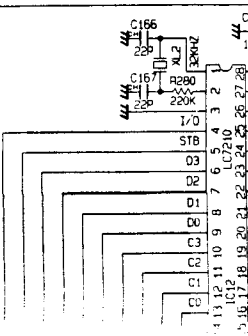


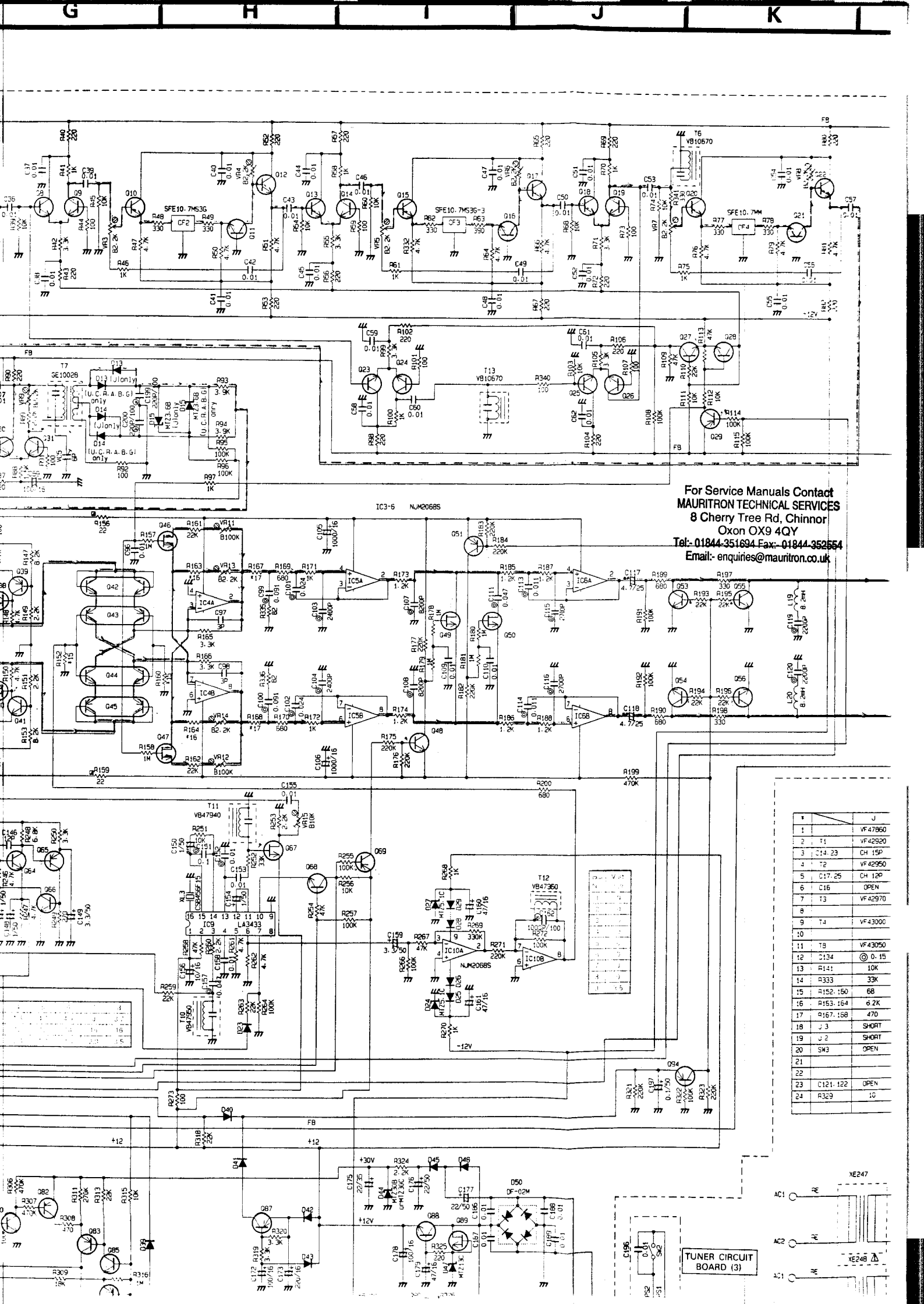
1	3.3	0
2	2.2	0
3	1.5	0
4	1.0	0
5	0.68	0
6	0.47	0
7	0.33	0
8	0.22	0
9	0.15	0

1	12.0	0
2	10.0	0
3	8.2	0
4	6.8	0
5	5.6	0
6	4.7	0
7	3.9	0
8	3.3	0
9	2.7	0

1	15	0
2	14	0
3	13	0
4	12	0
5	11	0
6	10	0
7	9	0
8	8	0
9	7	0

1	15	0
2	14	0
3	13	0
4	12	0
5	11	0
6	10	0
7	9	0
8	8	0
9	7	0

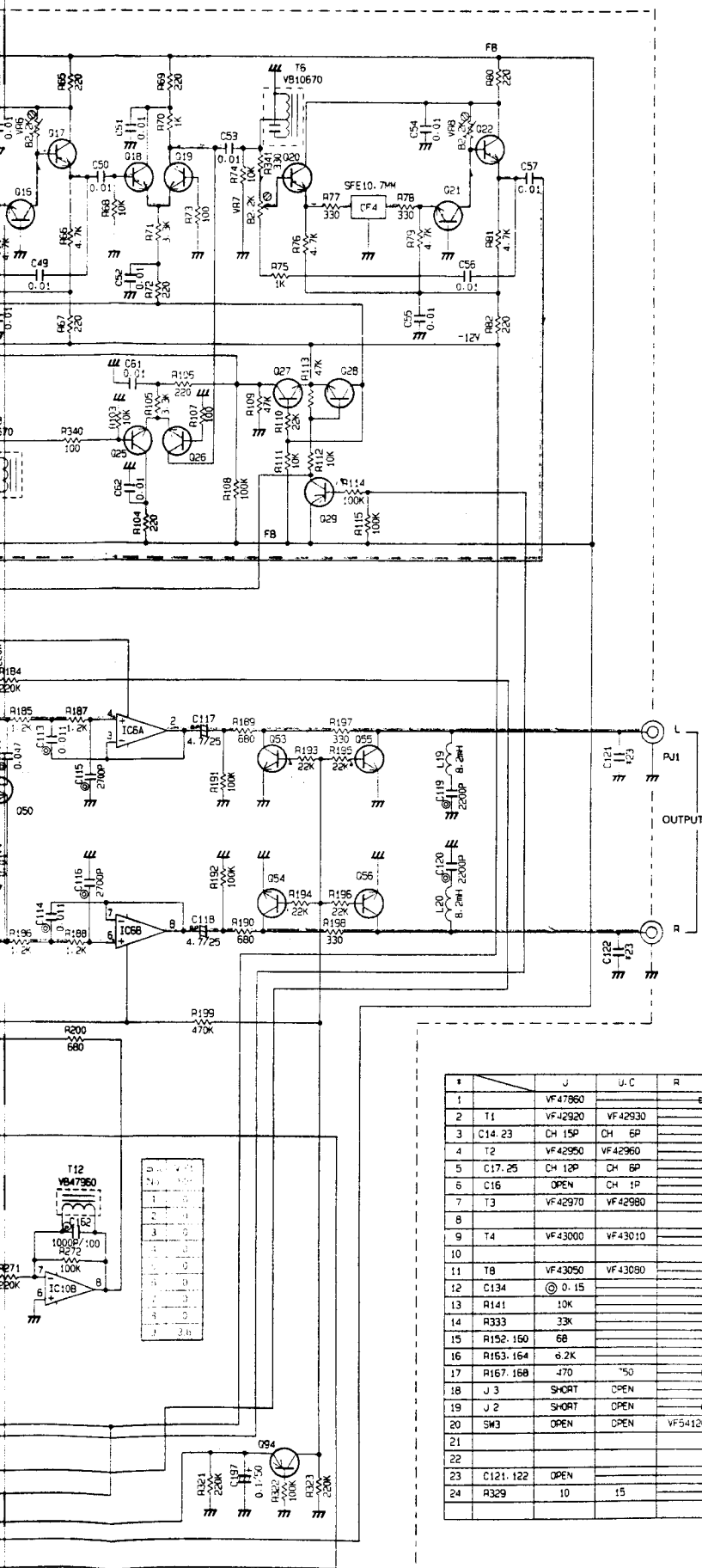




For Service Manuals Contact
MAURITRON TECHNICAL SERVICES
 8 Cherry Tree Rd, Chinnor
 Oxon OX9 4QY
 Tel: 01844-351694 Fax: 01844-352554
 Email: enquiries@mauritron.co.uk

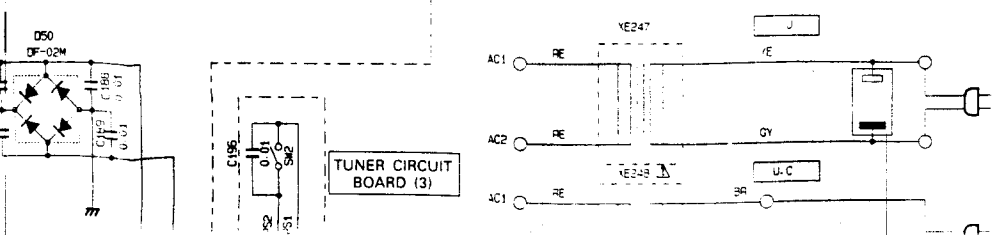
	J
1	VF47860
2	T11 VF42920
3	C14, 23 CH 15P
4	T2 VF42950
5	C17, 25 CH 12P
6	C16 OPEN
7	T3 VF42970
8	
9	T4 VF43000
10	
11	T9 VF43050
12	C134 0.15
13	R141 10K
14	R333 33K
15	R152, 150 68
16	R153, 154 6.2K
17	R167, 168 470
18	J3 SHORT
19	J2 SHORT
20	SW3 OPEN
21	
22	
23	C121, 122 OPEN
24	R329 10

TUNER CIRCUIT BOARD (3)

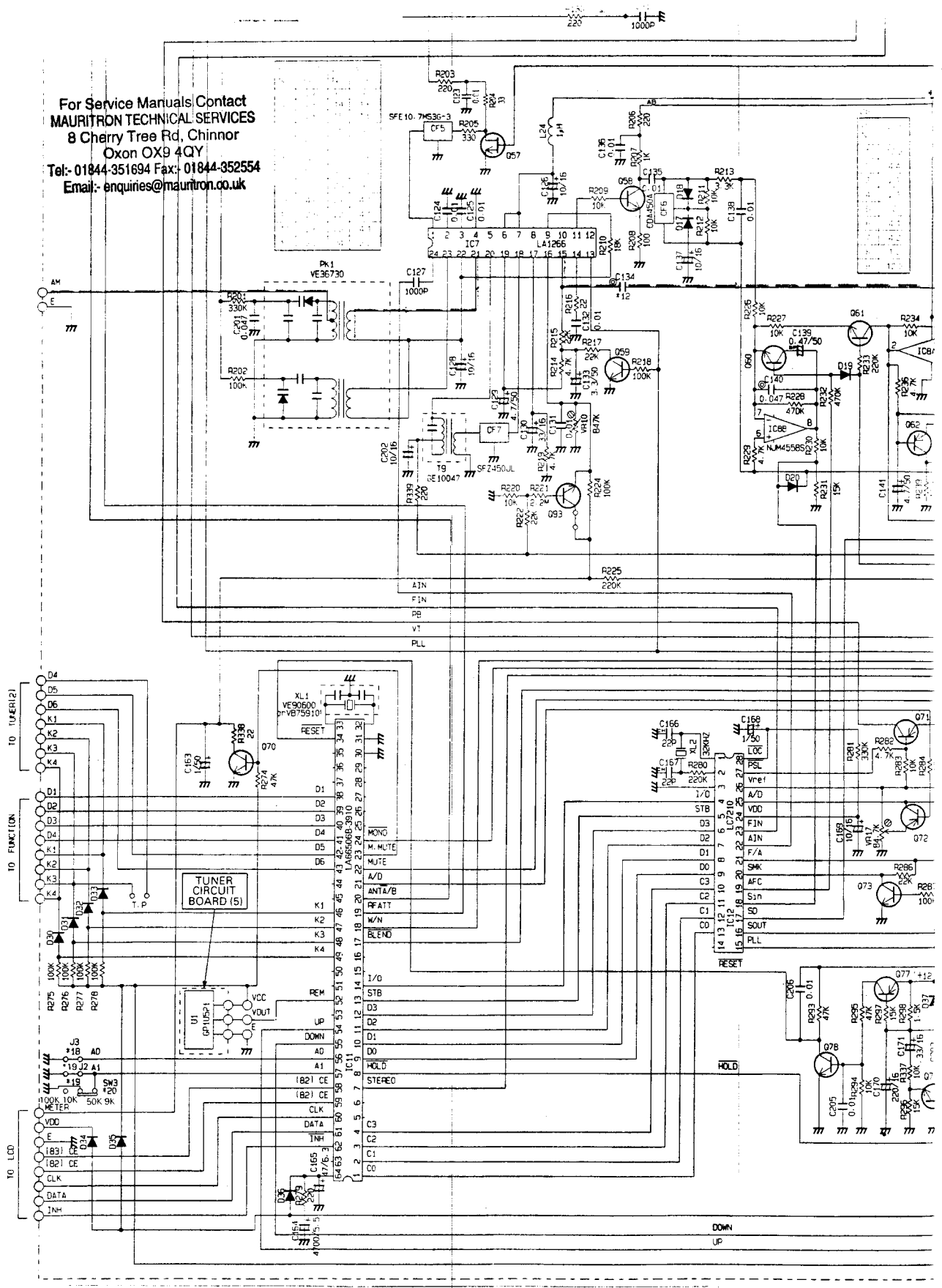


For Service Manuals Contact
MAURITRON TECHNICAL SERVICES
 8 Cherry Tree Rd, Shinnor
 Oxon OX9 4QY
 Tel:- 01844-351694 Fax:- 01844-352554
 Email:- enquiries@mauritron.co.uk

#	J	U.C	R	A.B	G	
1	VF47860			VF46740		ANT
2	T1	VF42920	VF42930		VF42940	ANT COIL
3	C14.23	CH 15P	CH 6P			ANT C
4	T2	VF42950	VF42960			RF COILa
5	C17.25	CH 12P	CH 6P			RFa c
6	C16	OPEN	CH 1P			RF COP. C
7	T3	VF42970	VF42980			RF COILb
8						
9	T4	VF43000	VF43010			RF COILc
10						
11	T8	VF43050	VF43080			OSC COIL
12	C134	⊙ 0.15			⊙ 0.1	AM F
13	R141	10K			15K	AM GAIN
14	R333	33K			47K	FM GAIN
15	R152.150	68			39	MPX LEVEL
16	R163.164	6.2K			4.7K	SEP
17	R167.168	470	750	470		ENF
18	J 3	SHORT	OPEN			μCON AD
19	J 2	SHORT	OPEN	SHORT		μCON A1
20	SW3	OPEN	OPEN	VF54120	OPEN	μCON SW
21						
22						
23	C121.122	OPEN			100P	FTZ
24	R329	10	15		10	LAMP

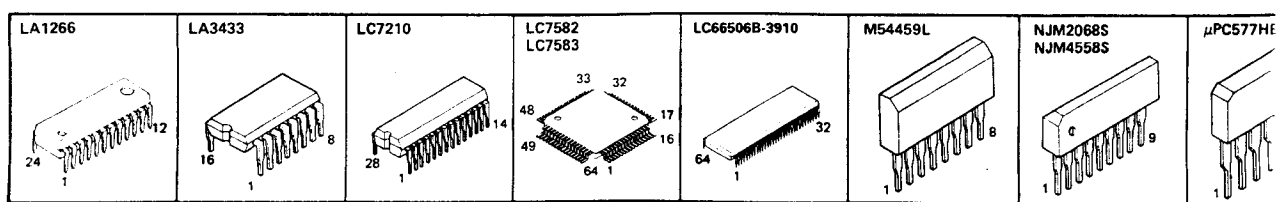


For Service Manuals Contact
MAURITRON TECHNICAL SERVICES
 8 Cherry Tree Rd, Chinnor
 Oxon OX9 4QY
 Tel: 01844-351694 Fax: 01844-352554
 Email: enquiries@mauritron.co.uk

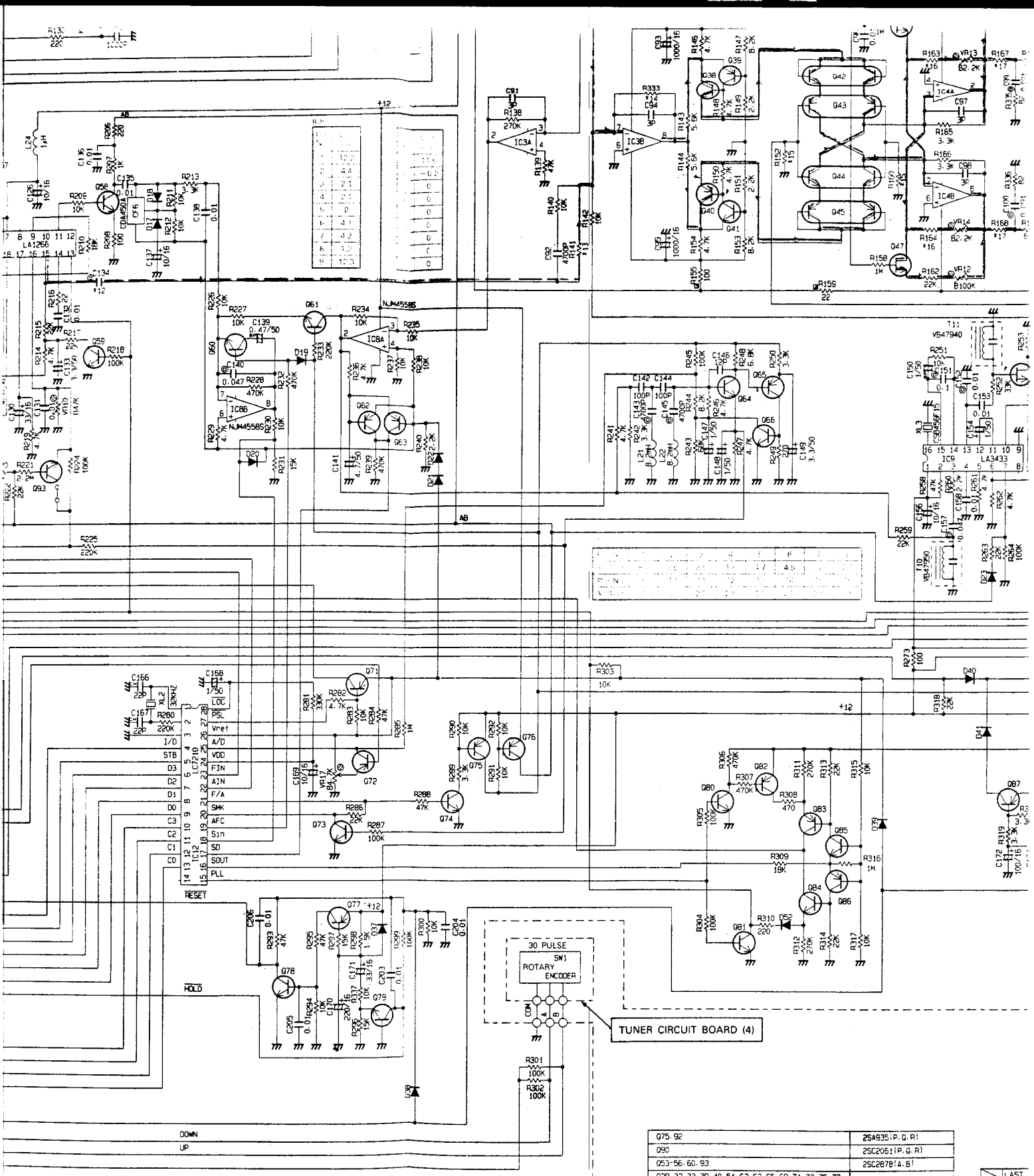


RESISTOR	REMARKS
(U).....	U.S.A model
(C).....	Canadian model
(A).....	Australian model
(G).....	European model
(B).....	British model
(R).....	General model

NOTICE
 (U)..... U.S.A model
 (C)..... Canadian model
 (A)..... Australian model
 (G)..... European model
 (B)..... British model
 (R)..... General model



4
5
6
7
8
9
10



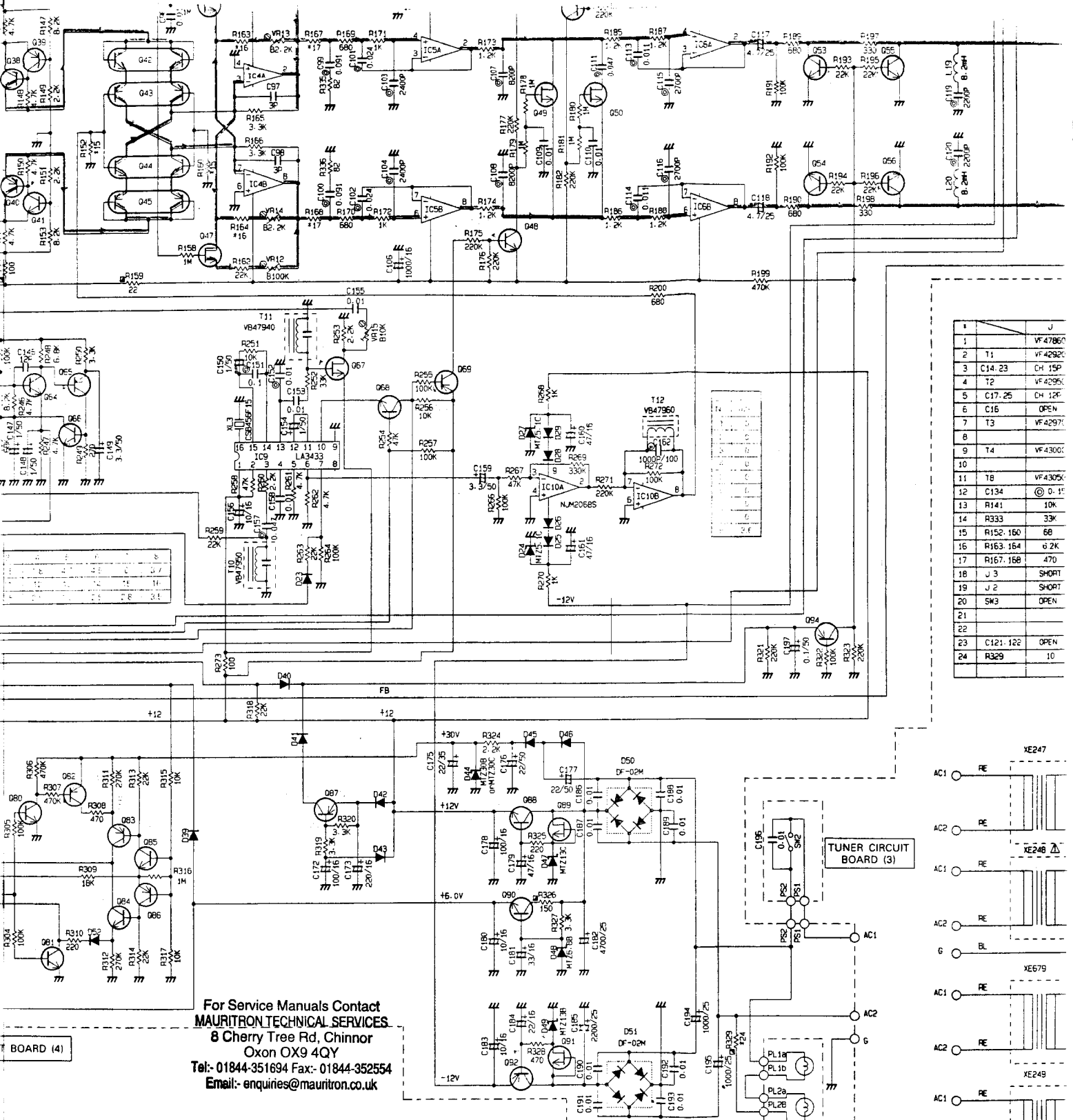
NOTICE
 (U)..... U.S.A model
 (C)..... Canadian model
 (A)..... Australian model
 (G)..... European model
 (B)..... British model
 (R)..... General model

REMARKS	PARTS NAME
NO MARK	CARBON FILM RESISTOR (1/6W)
☑	CARBON FILM RESISTOR
△	METAL OXIDE FILM RESISTOR
▲	METAL FILM RESISTOR
⊗	METAL PLATE RESISTOR
⊠	FIRE PROOF CARBON FILM RESISTOR
□	CEMENT MOLDED RESISTOR
⊙	SEMI VARIABLE RESISTOR
■	CHIP RESISTOR

075-92	25A935(P, G, R)
090	25C2061(P, G, R)
053-56, 60, 93	25C2878(A, B)
029-32, 33, 39, 40, 51-62, 63, 65-69, 71, 72, 76, 77	25A1317S
082-63, 86, 87, 94	25C3330S
03, 6, 11, 16, 21, 27, 28, 34, 38, 41, 48, 58, 59, 61, 64	25C1809(M, N, P)
066, 68, 70, 73, 74, 78-81, 84, 85, 95	25C2995(A, D, Y)
05, 7-10, 12-15, 17-20, 22-26, 30, 31	25C1847
036	25K105(H)
068	25K105(H)
049, 89, 91	25K241(Y)
04, 35, 37, 57	25K101(Y, GR)
01-2	25A123B
043, 45	25C3065
042, 44	25K105(F, H)
046, 47, 50, 67	

	LAST
C	206
R	341
G	95
D	52

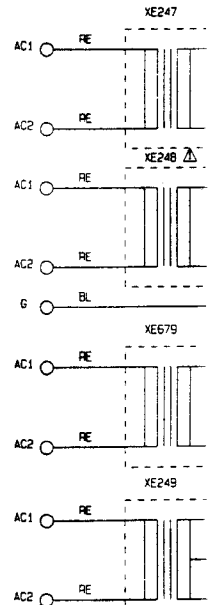
C66506B-3910 	M54459L 	NJM2068S NJM4558S 	μPC577HEF 	2SA935P, Q, R 25C2061P, Q, R 	2SA1317S 25C1809M, N, P 25C3330S 25K105 F, H 25K105 H 25K241Y 	25C1847 	25C2878AB 	25C2995 R, OY
-------------------------	--------------------	--	----------------------	---	--	--------------------	----------------------	--------------------------



1	J
2	VF47960
3	T1
4	VF42920
5	VF42960
6	VF42970
7	VF42970
8	VF42970
9	VF43000
10	VF43000
11	VF43000
12	VF43000
13	VF43000
14	VF43000
15	VF43000
16	VF43000
17	VF43000
18	VF43000
19	VF43000
20	VF43000
21	VF43000
22	VF43000
23	VF43000
24	VF43000

For Service Manuals Contact
MAURITRON TECHNICAL SERVICES
 8 Cherry Tree Rd, Chinnor
 Oxon OX9 4QY
 Tel: 01844-351694 Fax: 01844-352554
 Email: enquiries@mauritron.co.uk

BOARD (4)



25A935(P, D, R)
25C2061(P, G, R)
25C2678(A, B)
25A13175
25C33305
25C1809(M, N, P)
25C2995(R, O, Y)
25C1847
25K105(H)
25K241(Y)
35K1011(Y, GR)
25A1238
25C3065
25K105(F, H)

LAST NO.	UN LISTED NO.
C	206
R	341
G	95
D	52

REMARKS	PARTS NAME	
NO MARK	ELECTROLYTIC CAPACITOR	11
NO MARK	CERAMIC CAPACITOR	
⊙	POLYESTER FILM CAPACITOR	
○	POLYSTYRENE FILM CAPACITOR	
⊖	MICA CAPACITOR	
⊕	POLYPROPYLENE FILM CAPACITOR	
⊗	SEMICONDUCTIVE CERAMIC CAPACITOR	

UNLESS OTHERWISE SPECIFIED
PNP TRANSISTOR
NPN TRANSISTOR
DIODE
1SS287

25C1847

25C2878AB

25C2995 R, OY

25A1238
25C3065

35K101 Y, GR

DF-02M

KV1320

MTZ3.6B MTZ13B
 MTZ5.1C MTZ13C
 MTZ6.8B MTZ30B
 MTZ30C

1SS238
1SS287

Anode
Cathode

All vol
 Comp
 must l
 origina
 Schem

■ WARNING

PARTS LIST

Components having special characteristics are marked Δ and must be replaced with parts having specifications equal to those originally installed.

* Carbon resistors 1/4 W are not included in the ELECTRICAL PARTS list. For the parts No. of the carbon resistor, refer to P.32 .

ELECTRICAL PARTS

Ref. No.	Part No.	Description	部 品 名	Remarks	Common Model	Markets	ランク
*	NA 09 90 40	Tuner Circuit Board	チューナーシート			J	
*	NA 09 90 50	〃	〃			U, C	
*	NA 09 90 60	〃	〃			R	
*	NA 09 90 70	〃	〃	TX-1000		A, B	
*	NA 09 90 80	〃	〃			W/G	
	Fi 19 01 00	Ceramic Cap.	セラコン	C16		U,C,R,A,B,W/G	
	VA 75 99 00	〃	〃	C76			
	Fi 19 03 00	〃	〃	C19, 27			
	Fi 19 11 00	〃	〃	C83			
	VA 76 03 00	〃	〃	C17, 25		U,C,R,A,B,W/G	
*	VA 76 07 00	〃	〃	〃		J	
	VA 76 03 00	〃	〃	C14, 23		U,C,R,A,B,W/G	
*	VA 76 08 00	〃	〃	〃		J	
*	VA 76 08 00	〃	〃	C82			
	VA 76 10 00	〃	〃	C29, 166, 167			
	Fi 19 13 30	〃	〃	C80			
	Fi 19 22 20	〃	〃	C28			
	FG 21 08 00	〃	〃	C77			
	FG 21 11 50	〃	〃	C79			
	FG 20 03 00	〃	〃	C91, 94, 97, 98			
	FG 21 11 20	〃	〃	C146			
	FG 21 21 00	〃	〃	C142,144			
	FG 21 21 00	〃	〃	C121,122		W/G	
	FG 21 31 00	〃	〃	C127			
	FG 24 41 00	〃	〃	C31~65,67,96,109,110,123~125, 131,132,135,136,138,153,155,158, 186~193,196,203~207			
	FG 24 44 70	〃	〃	C201			
	Fi 44 31 00	〃	円筒形セラコン	C1~13,15,18,24,26,81,85~90			
	VF 46 73 00	〃	〃	C20~22,30,72,74,75			
	FA 15 32 20	Mylar Cap.	マイラーコン	C119, 120			
	FA 15 32 40	〃	〃	C103, 104			
	FA 15 32 70	〃	〃	C115, 116			
	FA 15 34 70	〃	〃	C92, 143, 145			
	FA 15 38 20	〃	〃	C107, 108			
	FA 15 41 00	〃	〃	C152			
	FA 15 41 10	〃	〃	C113, 114			
	FA 15 42 40	〃	〃	C101, 102			
	FA 15 44 70	〃	〃	C111, 140, 157			
	FA 15 49 10	〃	〃	C99, 100			
	FA 15 51 00	〃	〃	C151			
	FA 15 51 00	〃	〃	C134		W/G	
	FA 15 51 50	〃	〃	〃		J,U,C,R,A,B	
	FA 15 61 00	〃	〃	C70, 71, 73			
	UJ 11 74 70	Electrolytic Cap.	ケミコン	C165			
	UH 13 71 00	〃	〃	C126, 128, 137, 156, 169, 180, 183, 202			
	UH 13 72 20	〃	〃	C184			
	UJ 13 73 30	〃	〃	C78, 130, 171, 181			
	UJ 13 74 70	〃	〃	C160, 161, 179			
	UJ 13 81 00	〃	〃	C68, 69, 84, 172, 178			
	UJ 13 82 20	〃	〃	C170, 173			
	UH 05 72 20	〃	〃	C175			

*New Parts (新規部品)

(NOTE) W/G TX-1000 Markets: G
TX-2000 Markets: W

For Service Manuals Contact
MAURITRON TECHNICAL SERVICES
8 Cherry Tree Rd, Chinnor
Oxon OX9 4QY
Tel:- 01844-351694 Fax:- 01844-352554
Email:- enquiries@mauritron.co.uk

Ref. No.	Part No.	Description	部 品 名	Remarks	Common Model	Markets	ランク
	UH 16 61 00	Electrolytic Cap.	1 μ F 50V	ケ ミ コ ン	C147, 148, 154, 163, 168		
	UH 16 63 30	〃	3.3 μ F 50V	〃	C133, 149, 159		
	UH 16 64 70	〃	4.7 μ F 50V	〃	C129, 141		
	UJ 16 72 20	〃	22 μ F 50V	〃	C176, 177		
	UH 13 91 00	〃	1000 μ F 16V	〃	C93, 95, 105, 106		
	UH 14 91 00	〃	1000 μ F 25V	〃	C194, 195		
	UJ 14 92 20	〃	2200 μ F 25V	〃	C185		
	VB 09 95 00	〃	4700 μ F 25V	ブ ロ ッ ク ケ ミ コ ン	C182		
	VB 17 01 00	〃	4700 μ F 5.5V	ケ ミ コ ン	C164		
	UK 34 64 70	〃	4.7 μ F 25V	B P コ ン	C117, 118		
	UK 66 54 70	〃	0.47 μ F 50V	〃	C139		
	FM 11 61 00	〃	1 μ F 50V	〃	C150		
	UT 45 22 20	Polypropylene Film Cap.	220pF 100V	ポ リ プ ロ コ ン	C199, 200		
	UT 45 31 00	〃	1000pF 100V	〃	C162		
※	VF 43 11 00	Trimmer Capacitor	6pF VCT51A13A	ト リ マ ー コ ン	VC5		
※	VF 43 13 00	〃	10pF VCT51C712A	〃	VC1~4		
	GE 10 02 80	FM Discriminator Coil		FM ディスクリコイル	T7		
	GE 10 04 70	AM IFT Coil		AM IFT コイル	T9		
	GE 10 06 50	FM IFT Coil		FM IFT コイル	T5		
	VB 10 67 00	FM IFT Coil	10.7MHz	FM IFT コイル	T6, 13		
	VB 47 94 00	LC Filter	19Hz FB-7SG	LC フィルター	T11		
	VB 47 95 00	〃	20kHz FB-7SG	〃	T10		
	VB 47 96 00	〃	38kHz FB-7SG	〃	T12		
※	VF 42 92 00	FM ANT Coil		FM ANT コイル	T1	J	
※	VF 42 93 00	〃		〃	〃	U,C,R,A,B	
※	VF 42 94 00	〃		〃	〃	W/G	
※	VF 42 95 00	FM RF Coil a		FM RF コイル a	T2	J	
※	VF 42 96 00	〃		〃	〃	U,C,R,A,B,W/G	
※	VF 42 97 00	FM RF Coil b		FM RF コイル b	T3	J	
※	VF 42 98 00	〃		〃	〃	U,C,R,A,B,W/G	
※	VF 43 00 00	FM RF Coil c		FM RF コイル c	T4	J	
※	VF 43 01 00	〃		〃	〃	U,C,R,A,B,W/G	
※	VF 43 05 00	FM OSC Coil		FM OSC コイル	T8	J	
※	VF 43 08 00	〃		〃	〃	U,C,R,A,B,W/G	
	GE 90 06 90	Coil	8.2mH L-8	コ イ ル	L19, 20		
	VB 05 69 00	〃	220 μ H ELF0505	〃	L18		
	VB 10 03 00	〃	8.2mH EL0607	〃	L21, 22		
	VB 17 03 00	〃	1 μ H EL0606	〃	L7~16, 23, 24		
※	VF 96 39 00	〃	0.82 μ H EL0405	〃	L1~6, 17		
	GG 00 04 20	AM Ceramic Discriminator	CDA450A	AM セラミック式ディスクリ	CF6		
	VC 21 90 00	AM Ceramic Filter	SFZ450JL	AM セラミックフィルター	CF7		
※	VF 46 58 00	FM Ceramic Filter	SFE10.7MM	FM セラミックフィルターキット	CF1, 4		
		〃	SFE10.7MS3G-3	〃	CF2, 3, 5		
	QU 00 39 00	Quartz Crystal Unit	32kHz	水 晶 振 動 子	XL2		
※	VE 90 59 00	Ceramic Resonator	CSB456F15	セラミック振動子	XL3		
	VB 75 91 00	〃	4MHz EFO-FC4004A4	〃	XL1		
	HV 45 41 00	Flame Ploof Carbon Resistor	10 Ω 1/4W	不 燃 化 カ ー ボ ン 抵 抗	R329	J, W	

※New Parts (新規部品)

For Service Manuals Contact
MAURITRON TECHNICAL SERVICES
8 Cherry Tree Rd, Chinnor
Oxon OX9 4QY
Tel: 01844-351694 Fax: 01844-352554
Email: enquiries@mauritron.co.uk

Ref. No.	Part No.	Description	部品名	Remarks	Common Model	Markets
KA 90 83 80	Tact Switch	EVO-ORB-04M	タクトスイッチ	SW4-12		
VE 32 73 00		KHH-MA901			Inter-changeable	
VF 54 13 00	Push Switch	SPU112	プッシュスイッチ	SW2		
VF 54 12 00	Slide Switch	SSS111	スライドスイッチ	SW3 Frequency Step		R
VG 20 04 00	Rotary Encoder	EC16B30B	ロータリーエンコーダ	SW1		
VE 62 29 00	Remote Control Receiver	GPU521	リモコン受光ユニット	U1		
VF 43 16 00	Pin Jack	2P	ピンジャック	PJ1		
VE 36 73 00	AM Coil Pack		AM電子調音コイルパック			
LB 20 13 00	Base Pin		ベースピン	CB4		
VD 00 46 00			I型 PH ベースピン	CB1,2		
VD 00 47 00				CB3		
VD 00 50 00				CB6		
VF 46 59 00	Connector		FPC コネクタ	CB5		
LA 00 23 20	Lapping Terminal	i=type 3P P=7.5	ラッピング端子板			
VE 36 56 00	Push Terminal		プッシュターミナル			J.U.C.R
VF 47 86 00	Socket, F		ソケット			A.B.WIG
VF 46 74 00	Plug		プラグ			
VB 71 57 00	PH Connector Assy	B&C 7P L=250	PHコネクタアッシー			
VB 70 92 00		B&C 3P L=400				
VB 71 74 00		B&C 8P L=250				
VB 69 12 00		B&B 2P L=70				
VG 26 65 00	Heat Sink		放熱器			
BB 07 04 10	Bus Bar	L=55	バスバー			
BB 07 04 30		L=145				
VF 20 83 00	Shield Case A		シールドケースA			
VF 20 84 00			シールドケースB			
ED 33 00 66	Bind Head Screw	3 x 6 FCM3-BL	バインドヘッドネジ			
MA 09 90 90	LCD Circuit Board		LCD 表示シート	TX-2000		
MA 09 91 00				TX-1000/U		
FG 21 26 80	Ceramic Cap.	680pF	セラミックコンデンサ	C501		
FG 21 31 00		1000pF		C502		
UH 13 71 00	Electrolytic Cap.	10μF 16V	電解コンデンサ	C503		
XB 41 70 01	IC	LC7582	IC	IC501		
XB 76 40 01		LC7583		IC502		
VB 85 87 00	Base Pin	L=type	PH ベースピン	CB501		
VE 85 36 00	Display		LCD 表示器	TX-2000		
VF 86 48 00				TX-1000/U		

*New Parts (新部品)

Ref. No.	Part No.	Description	部品名	Remarks	Common Model	Markets
HV 45 41 50	14W	Flame Proof Carbon Resistor	不燃化カーボン抵抗	R329		UCRA,B
HV 45 42 20	14W			R156, 159		
HV 45 51 00	14W			R145, 155		
HV 45 51 50	14W			R326		
VA 78 77 00		Semi Variable Resistor	半固定抵抗	VR1-9, 13, 14	Inter-changeable	
VB 14 08 00						
VA 78 79 00				VR17		
VA 78 80 00				VR15	Inter-changeable	
HT 79 00 20						
VA 78 83 00				VR10	Inter-changeable	
VB 24 42 00						
VA 78 84 00				VR11, 12		
IA 09 35 10	P.O.R	Transistor	トランジスタ	Q75, 92		
IC 20 61 10	P.O.R			Q30		
IC 28 78 20	A.B			Q33-56, 60, 93		
VC 21 87 00				Q38, 39, 38, 40, 51, 52, 53, 54, 55, 56, 57, 58, 59, 60, 61, 62, 63, 64, 65, 66, 67, 68, 69, 70, 71, 72, 73, 74, 75, 76, 77, 78, 79, 80, 81, 82, 83, 84, 85, 86, 87, 88, 89, 90, 91, 92, 93, 94, 95, 96, 97, 98, 99, 100, 101, 102, 103, 104, 105, 106, 107, 108, 109, 110, 111, 112, 113, 114, 115, 116, 117, 118, 119, 120, 121, 122, 123, 124, 125, 126, 127, 128, 129, 130, 131, 132, 133, 134, 135, 136, 137, 138, 139, 140, 141, 142, 143, 144, 145, 146, 147, 148, 149, 150, 151, 152, 153, 154, 155, 156, 157, 158, 159, 160, 161, 162, 163, 164, 165, 166, 167, 168, 169, 170, 171, 172, 173, 174, 175, 176, 177, 178, 179, 180, 181, 182, 183, 184, 185, 186, 187, 188, 189, 190, 191, 192, 193, 194, 195, 196, 197, 198, 199, 200, 201, 202, 203, 204, 205, 206, 207, 208, 209, 210, 211, 212, 213, 214, 215, 216, 217, 218, 219, 220, 221, 222, 223, 224, 225, 226, 227, 228, 229, 230, 231, 232, 233, 234, 235, 236, 237, 238, 239, 240, 241, 242, 243, 244, 245, 246, 247, 248, 249, 250, 251, 252, 253, 254, 255, 256, 257, 258, 259, 260, 261, 262, 263, 264, 265, 266, 267, 268, 269, 270, 271, 272, 273, 274, 275, 276, 277, 278, 279, 280, 281, 282, 283, 284, 285, 286, 287, 288, 289, 290, 291, 292, 293, 294, 295, 296, 297, 298, 299, 300, 301, 302, 303, 304, 305, 306, 307, 308, 309, 310, 311, 312, 313, 314, 315, 316, 317, 318, 319, 320, 321, 322, 323, 324, 325, 326, 327, 328, 329, 330, 331, 332, 333, 334, 335, 336, 337, 338, 339, 340, 341, 342, 343, 344, 345, 346, 347, 348, 349, 350, 351, 352, 353, 354, 355, 356, 357, 358, 359, 360, 361, 362, 363, 364, 365, 366, 367, 368, 369, 370, 371, 372, 373, 374, 375, 376, 377, 378, 379, 380, 381, 382, 383, 384, 385, 386, 387, 388, 389, 390, 391, 392, 393, 394, 395, 396, 397, 398, 399, 400, 401, 402, 403, 404, 405, 406, 407, 408, 409, 410, 411, 412, 413, 414, 415, 416, 417, 418, 419, 420, 421, 422, 423, 424, 425, 426, 427, 428, 429, 430, 431, 432, 433, 434, 435, 436, 437, 438, 439, 440, 441, 442, 443, 444, 445, 446, 447, 448, 449, 450, 451, 452, 453, 454, 455, 456, 457, 458, 459, 460, 461, 462, 463, 464, 465, 466, 467, 468, 469, 470, 471, 472, 473, 474, 475, 476, 477, 478, 479, 480, 481, 482, 483, 484, 485, 486, 487, 488, 489, 490, 491, 492, 493, 494, 495, 496, 497, 498, 499, 500, 501, 502, 503, 504, 505, 506, 507, 508, 509, 510, 511, 512, 513, 514, 515, 516, 517, 518, 519, 520, 521, 522, 523, 524, 525, 526, 527, 528, 529, 530, 531, 532, 533, 534, 535, 536, 537, 538, 539, 540, 541, 542, 543, 544, 545, 546, 547, 548, 549, 550, 551, 552, 553, 554, 555, 556, 557, 558, 559, 560, 561, 562, 563, 564, 565, 566, 567, 568, 569, 570, 571, 572, 573, 574, 575, 576, 577, 578, 579, 580, 581, 582, 583, 584, 585, 586, 587, 588, 589, 590, 591, 592, 593, 594, 595, 596, 597, 598, 599, 600, 601, 602, 603, 604, 605, 606, 607, 608, 609, 610, 611, 612, 613, 614, 615, 616, 617, 618, 619, 620, 621, 622, 623, 624, 625, 626, 627, 628, 629, 630, 631, 632, 633, 634, 635, 636, 637, 638, 639, 640, 641, 642, 643, 644, 645, 646, 647, 648, 649, 650, 651, 652, 653, 654, 655, 656, 657, 658, 659, 660, 661, 662, 663, 664, 665, 666, 667, 668, 669, 670, 671, 672, 673, 674, 675, 676, 677, 678, 679, 680, 681, 682, 683, 684, 685, 686, 687, 688, 689, 690, 691, 692, 693, 694, 695, 696, 697, 698, 699, 700, 701, 702, 703, 704, 705, 706, 707, 708, 709, 710, 711, 712, 713, 714, 715, 716, 717, 718, 719, 720, 721, 722, 723, 724, 725, 726, 727, 728, 729, 730, 731, 732, 733, 734, 735, 736, 737, 738, 739, 740, 741, 742, 743, 744, 745, 746, 747, 748, 749, 750, 751, 752, 753, 754, 755, 756, 757, 758, 759, 760, 761, 762, 763, 764, 765, 766, 767, 768, 769, 770, 771, 772, 773, 774, 775, 776, 777, 778, 779, 780, 781, 782, 783, 784, 785, 786, 787, 788, 789, 790, 791, 792, 793, 794, 795, 796, 797, 798, 799, 800, 801, 802, 803, 804, 805, 806, 807, 808, 809, 810, 811, 812, 813, 814, 815, 816, 817, 818, 819, 820, 821, 822, 823, 824, 825, 826, 827, 828, 829, 830, 831, 832, 833, 834, 835, 836, 837, 838, 839, 840, 841, 842, 843, 844, 845, 846, 847, 848, 849, 850, 851, 852, 853, 854, 855, 856, 857, 858, 859, 860, 861, 862, 863, 864, 865, 866, 867, 868, 869, 870, 871, 872, 873, 874, 875, 876, 877, 878, 879, 880, 881, 882, 883, 884, 885, 886, 887, 888, 889, 890, 891, 892, 893, 894, 895, 896, 897, 898, 899, 900, 901, 902, 903, 904, 905, 906, 907, 908, 909, 910, 911, 912, 913, 914, 915, 916, 917, 918, 919, 920, 921, 922, 923, 924, 925, 926, 927, 928, 929, 930, 931, 932, 933, 934, 935, 936, 937, 938, 939, 940, 941, 942, 943, 944, 945, 946, 947, 948, 949, 950, 951, 952, 953, 954, 955, 956, 957, 958, 959, 960, 961, 962, 963, 964, 965, 966, 967, 968, 969, 970, 971, 972, 973, 974, 975, 976, 977, 978, 979, 980, 981, 982, 983, 984, 985, 986, 987, 988, 989, 990, 991, 992, 993, 994, 995, 996, 997, 998, 999, 1000, 1001, 1002, 1003, 1004, 1005, 1006, 1007, 1008, 1009, 1010, 1011, 1012, 1013, 1014, 1015, 1016, 1017, 1018, 1019, 1020, 1021, 1022, 1023, 1024, 1025, 1026, 1027, 1028, 1029, 1030, 1031, 1032, 1033, 1034, 1035, 1036, 1037, 1038, 1039, 1040, 1041, 1042, 1043, 1044, 1045, 1046, 1047, 1048, 1049, 1050, 1051, 1052, 1053, 1054, 1055, 1056, 1057, 1058, 1059, 1060, 1061, 1062, 1063, 1064, 1065, 1066, 1067, 1068, 1069, 1070, 1071, 1072, 1073, 1074, 1075, 1076, 1077, 1078, 1079, 1080, 1081, 1082, 1083, 1084, 1085, 1086, 1087, 1088, 1089, 1090, 1091, 1092, 1093, 1094, 1095, 1096, 1097, 1098, 1099, 1100, 1101, 1102, 1103, 1104, 1105, 1106, 1107, 1108, 1109, 1110, 1111, 1112, 1113, 1114, 1115, 1116, 1117, 1118, 1119, 1120, 1121, 1122, 1123, 1124, 1125, 1126, 1127, 1128, 1129, 1130, 1131, 1132, 1133, 1134, 1135, 1136, 1137, 1138, 1139, 1140, 1141, 1142, 1143, 1144, 1145, 1146, 1147, 1148, 1149, 1150, 1151, 1152, 1153, 1154, 1155, 1156, 1157, 1158, 1159, 1160, 1161, 1162, 1163, 1164, 1165, 1166, 1167, 1168, 1169, 1170, 1171, 1172, 1173, 1174, 1175, 1176, 1177, 1178, 1179, 1180, 1181, 1182, 1183, 1184, 1185, 1186, 1187, 1188, 1189, 1190, 1191, 1192, 1193, 1194, 1195, 1196, 1197, 1198, 1199, 1200, 1201, 1202, 1203, 1204, 1205, 1206, 1207, 1208, 1209, 1210, 1211, 1212, 1213, 1214, 1215, 1216, 1217, 1218, 1219, 1220, 1221, 1222, 1223, 1224, 1225, 1226, 1227, 1228, 1229, 1230, 1231, 1232, 1233, 1234, 1235, 1236, 1237, 1238, 1239, 1240, 1241, 1242, 1243, 1244, 1245, 1246, 1247, 1248, 1249, 1250, 1251, 1252, 1253, 1254, 1255, 1256, 1257, 1258, 1259, 1260, 1261, 1262, 1263, 1264, 1265, 1266, 1267, 1268, 1269, 1270, 1271, 1272, 1273, 1274, 1275, 1276, 1277, 1278, 1279, 1280, 1281, 1282, 1283, 1284, 1285, 1286, 1287, 1288, 1289, 1290, 1291, 1292, 1293, 1294, 1295, 1296, 1297, 1298, 1299, 1300, 1301, 1302, 1303, 1304, 1305, 1306, 1307, 1308, 1309, 1310, 1311, 1312, 1313, 1314, 1315, 1316, 1317, 1318, 1319, 1320, 1321, 1322, 1323, 1324, 1325, 1326, 1327, 1328, 1329, 1330, 1331, 1332, 1333, 1334, 1335, 1336, 1337, 1338, 1339, 1340, 1341, 1342, 1343, 1344, 1345, 1346, 1347, 1348, 1349, 1350, 1351, 1352, 1353, 1354, 1355, 1356, 1357, 1358, 1359, 1360, 1361, 1362, 1363, 1364, 1365, 1366, 1367, 1368, 1369, 1370, 1371, 1372, 1373, 1374, 1375, 1376, 1377, 1378, 1379, 1380, 1381, 1382, 1383, 1384, 1385, 1386, 1387, 1388, 1389, 1390, 1391, 1392, 1393, 1394, 1395, 1396, 1397, 1398, 1399, 1400, 1401, 1402, 1403, 1404, 1405, 1406, 1407, 1408, 1409, 1410, 1411, 1412, 1413, 1414, 1415, 1416, 1417, 1418, 1419, 1420, 1421, 1422, 1423, 1424, 1425, 1426, 1427, 1428, 1429, 1430, 1431, 1432, 1433, 1434, 1435, 1436, 1437, 1438, 1439, 1440, 1441, 1442, 1443, 1444, 1445, 1446, 1447, 1448, 1449, 1450, 1451, 1452, 1453, 1454, 1455, 1456, 1457, 1458, 1459, 1460, 1461, 1462, 1463, 1464, 1465, 1466, 1467, 1468, 1469, 1470, 1471, 1472, 1473, 1474, 1475, 1476, 1477, 1478, 1479, 1480, 1481, 1482, 1483, 1484, 1485, 1486, 1487, 1488, 1489, 1490, 1491, 1492, 1493, 1494, 1495, 1496, 1497, 1498, 1499, 1500, 1501, 1502, 1503, 1504, 1505, 1506, 1507, 1508, 1509, 1510, 1511, 1512, 1513, 1514, 1515, 1516, 1517, 1518, 1519, 1520, 1521, 1522, 1523, 1524, 1525, 1526, 1527, 1528, 1529, 1530, 1531, 1532, 1533, 1534, 1535, 1536, 1537, 1538, 1539, 1540, 1541, 1542, 1543, 1544, 1545, 1546, 1547, 1548, 1549, 1550, 1551, 1552, 1553, 1554, 1555, 1556, 1557, 1558, 1559, 1560, 1561, 1562, 1563, 1564, 1565, 1566, 1567, 1568, 1569, 1570, 1571, 1572, 1573, 1574, 1575, 1576, 1577, 1578, 1579, 1580, 1581, 1582, 1583, 1584, 1585, 1586, 1587, 1588, 1589, 1590, 1591, 1592, 1593, 1594, 1595, 1596, 1597, 1598, 1599, 1600, 1601, 1602, 1603, 1604, 1605, 1606, 1607, 1608, 1609, 1610, 1611, 1612, 1613, 1614, 1615, 1616, 1617, 1618, 1619, 1620, 1621, 1622, 1623, 1624, 1625, 1626, 1627, 1628, 1629, 1630, 1631, 1632, 1633, 1634, 1635, 1636, 1637, 1638, 1639, 1640, 1641,		

A

B

C

D

E

TX-1000/U/TX-2000

MECHANISM EXPLODED VIEW

1

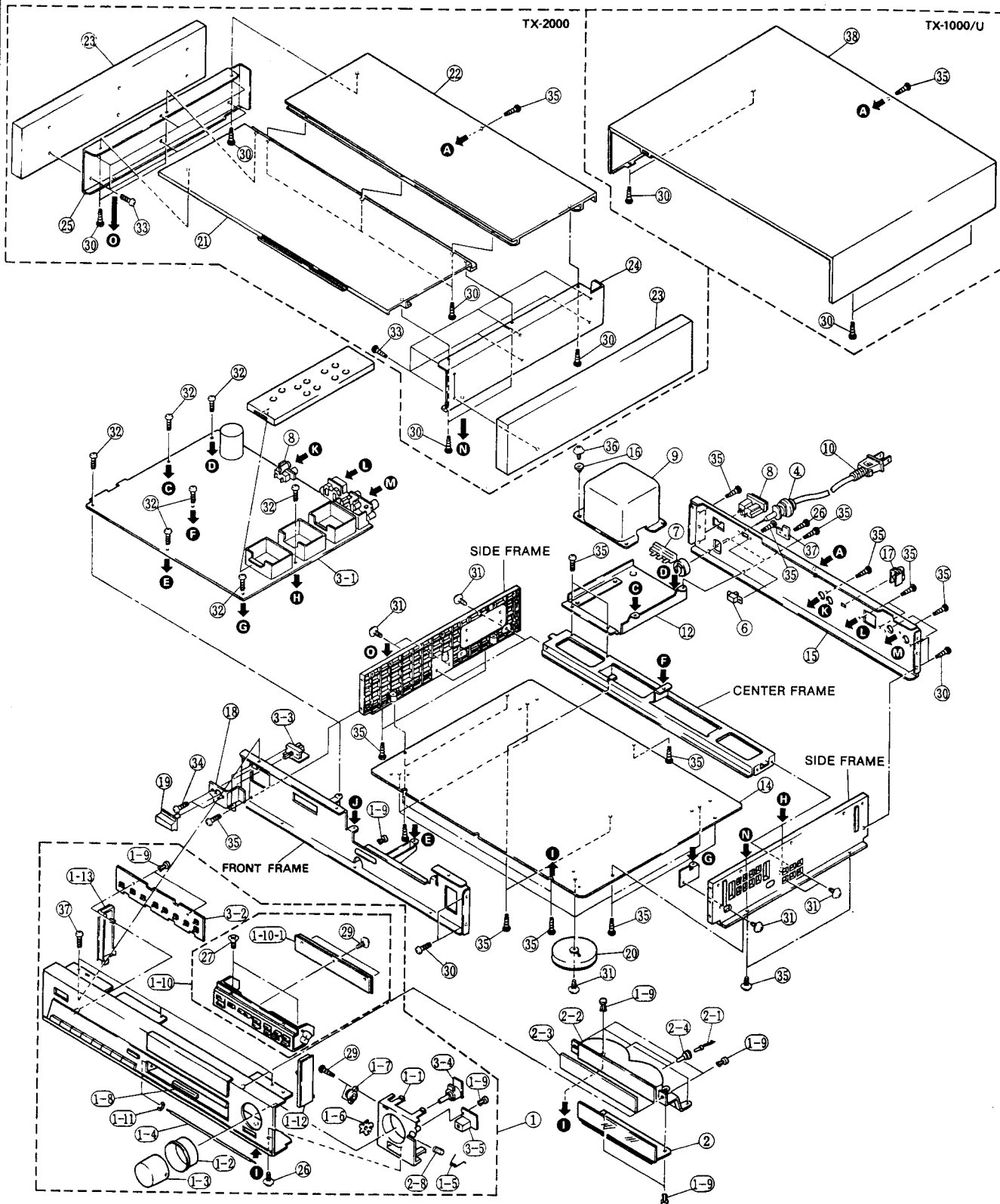
2

3

4

5

6



7 29

For Service Manuals Contact
MAURITRON TECHNICAL SERVICES
 8 Cherry Tree Rd, Chinnor
 Oxon OX9 4QY
 Tel:- 01844-351694 Fax:- 01844-352554
 Email:- enquiries@mauritron.co.uk

Ref. No.	Part No.	Description	部 品 名	Remarks	Common Model	Markets	ランク
※	1	VF 47 07 00	Panel Unit		パネルユニット	TX-1000U	U, C
※	※	VF 47 08 00	※		※	TX-1000	R, A, B, G
※	※	VF 46 86 00	※		※	TX-2000	
※	1-1	VF 44 54 00	Plate Tuning		プレートチューニング		
※	1-2	VF 20 87 00	Escutcheon	TUNE	エスカッション	TX-1000/U	
※	※	VF 20 85 00	※	※	※	TX-2000	
※	1-3	VF 20 89 00	Knob Tuning		ノブチューニング	TX-1000/U	
※	※	VF 20 88 00	※		※	TX-2000	
※	1-4	VF 21 09 00	Shaft		シャフト		
※	1-5	VF 20 75 00	Spring K		スプリング K		
※	1-6	VF 20 67 00	Washer Friction		ワッシャーフリクション		
※	1-7	PB 06 49 40	Damper	IC72-E	ダンパー		
※	1-8	VF 20 96 00	Cushion		クッション		
※	1-9	CB 60 56 20	Plastic Rivet		プラスチックリベット		
※	1-10	VG 46 41 00	Sub Panel B Ass'y		サブパネル B Ass'y	TX-1000/U	
※	※	VG 46 40 00	※		※	TX-2000	
※	1-10-1	VF 43 17 00	Function Sheet		ファンクションシート		
※	1-11	EV 50 12 56	E Ring	2.5 FNM3-3G	E リング	PACK	
※	1-12	VF 20 70 00	Side Cover L		サイドカバー L	TX-1000	
※	1-13	VF 20 74 00	※ R		※ R	※	
※	2	NA 09 91 00	LCD Circuit Board		LCD 表示シート	TX-1000/U	
※	※	NA 09 90 90	※		※	TX-2000	
※	2-1	VF 46 60 00	Lamp	8V 150mA	ランプ		
※	2-2	VF 20 68 00	Reflector		リフレクタ		
※	2-3	VF 21 10 00	Sheet Diffusion		シートディフュージョン		
※	2-4	VF 44 45 00	Lamp Cap		ランプキャップ		
※	3	NA 09 90 40	Tuner Circuit Board		チューナーシート		J
※	※	NA 09 90 50	※		※		U, C
※	※	NA 09 90 60	※		※		R
※	※	NA 09 90 70	※		※	TX-1000/U	A, B
※	※	NA 09 90 80	※		※		W/G
※	4	CB 62 01 90	Cord Stopper	CM-22B	コードストッパー		R, A, B, W/G
※	※	CB 62 02 00	※	CM-22C	※		U, C
※	5	HG 30 92 20	Carbon Resistor	2.2MΩ 1/2W	カーボン抵抗		U, C
※	6	KA 40 16 80	Slide Switch		スライドスイッチ	Voltage Selector	R
※	7	LA 00 10 00	Lag Terminal		ラグ端子板		U, C
※	※	VD 61 41 00	Terminal	2P	中継端子板		A, B, W/G
※	8	LB 20 30 60	AC Outlet		AC アウトレット	TX-2000	J
※	9	XE 24 70 01	Power Transformer		電源トランス		J
※	※	XE 24 80 01	※		※		U, C
※	※	XE 24 90 01	※		※		R
※	※	XE 67 90 01	※		※		W
※	※	XE 67 90 01	※		※	TX-1000/U	A, B, G
※	10	VC 61 44 00	Power Cord	12A 125V	電源コード	TX-2000	AX-900
※	※	MG 00 22 20	※	10A 125V	※		U, C
※	※	MG 00 16 30	※	6A 250V	※		R
※	※	MG 00 23 10	※	7.5A 250V	※	TX-1000/U	A
※	※	MG 00 23 30	※	300/300V	※		B
※	※	MG 00 23 20	※	2.5A 250V	※		W/G
※	11	VF 44 56 00	Shield Case C		シールドケース C		
※	12	AA 62 17 80	Holder, Transformer		トランスホルダー	TX-1000/U	C-80
※	※	VF 44 65 00	※		※	TX-2000	

※New Parts (新規部品)

For Service Manuals Contact
MAURITRON TECHNICAL SERVICES
 8 Cherry Tree Rd, Chinnor
 Oxon OX9 4QY
 Tel: 01844-351694 Fax: 01844-352554
 Email: enquiries@mauritron.com

Ref. No.	Part No.	Description	部 品 名	Remarks	Common Model	Markets	ランク
13	CA 07 59 40	Spacer, Transformer	トランススパーサー				
※	14	VF 67 79 00	Bottom Cover	ボトムカバー	TX-1000/U	C-60	
※	◇	VF 44 55 00	◇	◇	TX-2000		
※	15	VF 20 92 00	Rear Panel	リアパネル	TX-1000/U		U, C
※	◇	VF 20 93 00	◇	◇	◇		R
※	◇	VF 20 94 00	◇	◇	◇		G
※	◇	VF 20 95 00	◇	◇	◇		A, B
※	◇	VF 20 91 00	◇	◇	TX-2000		J
※	◇	VF 44 57 00	◇	◇	◇		U, C
※	◇	VF 44 58 00	◇	◇	◇		R
◇	VF 44 59 00	◇	◇	◇	◇		W
16	CB 62 30 40	Bushing	絶縁ブッシュ		A-750		
17	CB 60 74 70	Holder, Antenna	アンテナホルダー			R, G	
※	18	VF 34 04 00	Support P	サポートP			
※	19	VE 70 75 00	Button	ボタン	POWER TX-1000/U		
※	◇	VF 44 61 00	◇	◇	◇ TX-2000		
20	NB 62 01 40	Leg Ass'y	レッグ Ass'y		TX-1000/U		
◇	VE 13 39 00	◇	GY	◇		DSP-3000	
※	21	VF 44 48 00	Top Cover	Front	トップカバー	TX-2000	
※	22	VF 44 49 00	◇	Rear	◇	◇	
※	23	VF 44 50 00	Side Cover	WL/WR	サイドカバー	◇	
※	24	VF 44 52 00	Support Wood L		サポートウッドL	◇	
※	25	VF 44 53 00	Support Wood R		サポートウッドR	◇	
26	EX 60 08 40	B.W.Head Tapping Screw	2 x 6 FCM3-BL	BWヘッドタッピングネジ			
27	EO 32 00 66	Flat Head Tapping Screw	2 x 6 FCRM3-3I	皿タッピングネジ	PACK TX-1000/U		
◇	EO 12 00 66	◇	◇ FCRM3-3G	◇	◇ TX-2000		
28	EK 03 60 60	B.W.Head Tapping Screw	2 x 4 ZMC2-Y	BWヘッドタッピングネジ			
29	Ei 32 00 66	Bind Head Tapping Screw	2 x 6 ZMC2-Y	バインドタッピングネジ	PACK		
30	Ei 33 00 86	◇	3 x 8 FCM3-BL	◇	◇		
31	EK 33 60 10	B.W.Head Tapping Screw	3 x 8 FCM3-BL	BWヘッドタッピングネジ			
32	EK 03 00 60	◇	3 x 8 YMC2-Y	◇			
33	EQ 03 11 06	Round Head Wood Screw	3.1 x 10 ZMC2-Y	マルモクネジ	TX-2000		
34	ED 33 00 66	Bind Head Screw	3 x 6 FCM3-BL	バインド小ネジ	PACK		
35	EZ 00 04 60	Bind Head Bonding Screw	3 x 8 FCM3-BL	ボンディングBタイトネジ			
36	EX 60 08 50	Cup Screw	4 x 10 FCM3-BL	カップBタイトネジ			
37	CB 60 14 40	VS Stopper		VSストッパー			R
38	VF 20 65 00	Top Cover		トップカバー	TX-1000/U		
	CB 06 92 50	Binding Tie	BK-1	バインドタイ			
		Accessories		付 属 品			
※	VF 43 20 00	Remote Control Transmitter	RS-TX2000	リモコンユニット	TX-2000		
※	VF 43 18 00	◇	RS-TX1000	◇	TX-1000/U		
	VE 36 62 00	Loop Antenna	AM	ループアンテナ	TX-2000		
	VE 36 62 00	◇	◇	◇	TX-1000		U,C,A,B
	VD 63 29 00	◇	◇	◇	◇		R
	Mi 08 28 40	FM Q match Antenna		FM Qマッチアンテナ			J
	VG 08 73 00	◇		◇			U,C,R,A,B,W/G
※	VF 66 47 00	Pin-Plug Cord		ピンプラグコード	TX-2000		
	Mi 08 87 90	◇		◇	TX-1000/U		
※	VE 19 22 00	Antenna Plug	75↔300 NTSC	プラグアンテナ			J,U,C,R
	VE 36 49 00	◇	75↔300 PAL	◇			W/G
		Dry Cell	AA, R6	単 3 乾 電 池			

※New Parts (新規部品)

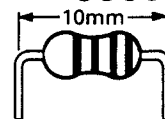
For Service Manuals Contact
MAURITRON TECHNICAL SERVICES
 8 Cherry Tree Rd, Chinnor
 Oxon OX9 4QY
 Tel:- 01844-351694 Fax:- 01844-352554
 Email:- enquiries@mauritron.co.uk

Part List for Carbon Resistor

Value	1/4W Type Part No.	1/6W Type Part No.	Value	1/4W Type Part No.	1/6W Type Part No.
1.0Ω	HJ35 3100	※	12KΩ	HJ35 7120	HF85 7120
1.8 "	HJ35 3180	※	15 "	HJ35 7150	HF85 7150
2.2 "	HJ35 3220	HF85 3220	18 "	HJ35 7180	HF85 7180
3.3 "	HJ35 3330	HF85 3330	22 "	HJ35 7220	HF85 7220
4.7 "	HJ35 3470	HF85 3470	27 "	HJ35 7270	HF85 7270
5.6 "	HJ35 3560	HF85 3560	33 "	HJ35 7330	HF85 7330
10 "	HJ35 4100	HF85 4100	39 "	HJ35 7390	HF85 7390
15 "	HJ35 4150	HF85 4150	47 "	HJ35 7470	HF85 7470
22 "	HJ35 4220	HF85 4220	56 "	HJ35 7560	HF85 7560
27 "	HJ35 4270	HF85 4270	68 "	HJ35 7680	HF85 7680
33 "	HJ35 4330	HF85 4330	82 "	HJ35 7820	HF85 7820
39 "	HJ35 4390	HF85 4390	91 "	HJ35 7910	HF85 7910
47 "	HJ35 4470	HF85 4470	100 "	HJ35 8100	HF85 8100
56 "	HJ35 4560	HF85 4560	120 "	HJ35 8120	HF85 8120
68 "	HJ35 4680	HF85 4680	150 "	HJ35 8150	HF85 8150
82 "	HJ35 4820	HF85 4820	180 "	HJ35 8180	HF85 8180
100 "	HJ35 5100	HF85 5100	220 "	HJ35 8220	HF85 8220
110 "	HJ35 5110	HF85 5100	270 "	HJ35 8270	HF85 8270
120 "	HJ35 5120	HF85 5120	330 "	HJ35 8330	HF85 8330
150 "	HJ35 5150	HF85 5150	390 "	HJ35 8390	HF85 8390
160 "	HJ35 5160	※	470 "	HJ35 8470	HF85 8470
180 "	HJ35 5180	HF85 5180	560 "	HJ35 8560	HF85 8560
220 "	HJ35 5220	HF85 5220	680 "	HJ35 8680	HF85 8680
270 "	HJ35 5270	HF85 5270	820 "	HJ35 8820	HF85 8820
330 "	HJ35 5330	HF85 5330	1.0MΩ	HJ35 9100	HF85 9100
390 "	HJ35 5390	HF85 5390	1.2 "	HJ35 9120	※
470 "	HJ35 5470	HF85 5470	1.5 "	HJ35 9150	HF85 9150
510 "	※	HF85 5510	1.8 "	HJ35 9180	HF85 9180
560 "	HJ35 5560	HF85 5560	2.2 "	HJ35 9220	HF85 9220
680 "	HJ35 5680	HF85 5680	3.3 "	HJ35 9330	HF85 9330
820 "	HJ35 5820	HF85 5820	3.9 "	HJ35 9390	※
910 "	HJ35 5910	HF85 5910	4.7 "	HJ35 9470	※
1.0KΩ	HJ35 6100	HF85 6100			
1.2 "	HJ35 6120	HF85 6120			
1.5 "	HJ35 6150	HF85 6150			
1.8 "	HJ35 6180	HF85 6180			
2.0 "	HJ35 6200	HF85 6200			
2.2 "	HJ35 6220	HF85 6220			
2.4 "	HJ35 6240	HF85 6240			
2.7 "	HJ35 6270	HF85 6270			
3.0 "	HJ35 6300	HF85 6300			
3.3 "	HJ35 6330	HF85 6330			
3.6 "	HJ35 6360	HF85 6360			
3.9 "	HJ35 6390	HF85 6390			
4.7 "	HJ35 6470	HF85 6470			
5.1 "	HJ35 6510	HF85 6510			
5.6 "	HJ35 6560	HF85 6560			
6.8 "	HJ35 6680	HF85 6680			
8.2 "	HJ35 6820	HF85 6820			
9.1 "	HJ35 6910	HF85 6910			
10 "	HJ35 7100	HF85 7100			

1/4W Type

HJ35 ○○○○



1/6W Type

HF85 ○○○○

