

115

18

marantz

model 115

Fm / Am


Stereophonic Tuner

TABLE OF CONTENTS

SECTION	PAGE
Introduction	1
AM Tuner.....	1
FM Tuner.....	1
AM Alignment Procedure	4
FM Alignment Procedure	4
Test Equipment Required for Servicing	5
Parts List	15
Technical Specifications	24

LIST OF ILLUSTRATIONS

FIGURE	PAGE
1. Dial Stringing	5
2. Front Panel Adjustment and Component Locations	6
3. Main Chassis Component Locations (Top View)	6
4. Rear Panel Adjustment and Component Locations	7
5. Main Chassis Component Locations (Bottom View)	7
6. FM Front End Assembly P100 Component Locations	8
7. AM Tuner Unit Assembly P150 Component Locations	8
8. FM IF Amplifier Assembly P200 Component Locations	9
9. MPX Stereo Decoding Amplifier Assembly P300 Component Locations	10
10. Pre-Amplifier and Power Supply Assembly P400 Component Locations	10
11. Noise and DC Amplifier Assembly P470 Component Locations	11
12. FM, AM and Muting Switch Assembly P500 Component Locations	12
13. Mono and Hi Blend Switch Assembly P600 Component Locations	12
14. Schematic Diagram	13, 14

marantz® SERVICE BULLETIN	model number	115	bulletin number
	for serial numbers	ALL	M-115-1
	subject	CORRECTION OF SERVICE MANUAL	
	engineering approval		
			5-10-73

This service bulletin is issued to correct a misprint in the Model 115 Service Manual.

On page 15, Reference Designation Number L101, Marantz Part Number LA1203603 should be changed to LA1202603.

Incorporate this change into the service manual, as soon as possible, to ensure proper reference information.



Hector E. Gervasio, Manager
 Technical Services



1. INTRODUCTION

This service manual was prepared for use by Authorized Warranty Stations and contains service information for Marantz Model 115 Stereophonic Tuner.

Servicing information and voltage data included in this manual are intended for use by the knowledgeable and experienced technician only. All instruction should be read carefully. No attempt should be made to proceed without a good understanding of the operation in the receiver.

The part lists furnish information by which replacement part may be ordered from the Marantz Company. A simple description is included for parts which can be usually be obtained through local suppliers.

The Model 115 is a tuner version of the Marantz's Model 4430 Tuner/Amplifier and almost the same circuitry as used in the Model 4430 is employed except the audio Amplifier, and power supply circuit.

2. AM TUNER

All components except Tuning capacitor and ferrite bar antenna are mounted on a printed circuit board P150.

The AM signals induced in a ferrite bar antenna are applied to the base of RF amplifier transistor H151 through a capacitor of C151 and amplified to the level required for overcoming the conversion noises, thus giving good S/N performance. The tuned circuits inserted in both out-and in-pu t circuit of the RF amplifier assure very high image and spurious rejection performance. Thus amplified and selected AM signals are then applied to the base of converter transistor H152 through a coupling capacitor C156. While the local oscillator voltage is injected to the emitter of H152 through a capacitor C157. Both AM signals and oscillating voltage are mixed at the base-emitter junction and converted into 455KHz intermediate frequency. The resulting IF signal is applied to the first IF transformer L153 consisting of one ceramic filter and two tuned circuits.

The output of L153 is led to the transistor H153 which in turn apply its output to the transistor of next stage H154. The fully amplified IF output is then applied to the diode H157 to detect audible signal through the detector transformer L154. The detected audio signal is filtered and amplified and the final audio output is obtained from the collector of H155 and applied to the tape out jacks and the function switch.

The DC component of the detected IF signal is used as a AGC voltage to control emitter current of H153 which in turn control the bias current of the RF amplifier through the resistor R179 and R151. A part of IF signal output is also applied to the diode H158 through a capacitor C167 and rectified to obtain DC current for energizing the AM signal strength meter M001.

2.1 Suggestions for AM Tuner trouble shooting

Check for broken AM bar antenna, next try to tune station by rotating fly-wheel tuning knob slowly and observe the AM signal strength meter whether it deflects or not. If the signal strength meter gives a deflection at several frequencies received, no failure may exist in the stages at least preceding final IF transformer L154. Next connect a oscilloscope to the pin terminal J162 or J157 and check for audio signals with the tuning meter deflected. If the signal strength meter does not deflect, check the local oscillator circuit. Normal oscillating voltage at the hot end of the oscillator tuning capacitor is about 2 or 3 volts, varying with tuning capacitor position. When measuring oscillating voltage use a RF VTVM, no circuit tester gives correct indication. If the local oscillator voltage is normal, check all voltage distribution in the AM circuits by using a DC VTVM and compare the measured values with those given in the schematic diagram.

3. FM TUNER

The FM Tuner section of Model 115 is divided into four functional blocks: FM Front End, IF Amplifier and Detector, Muting Control and MPX Stereo Decoding Circuit.

FM signals induced by a FM antenna are led to FM antenna coil L101 through an attenuator

switch and a balun coil. These signals are then applied to the FET RF amplifier which in turn applies its output to the next FET Mixer H102 through the double tuned high selective circuits. The FET Mixer convert its input signal into 10.7MHz intermediate frequency and amplifies it at the same time. The H103 is a local oscillator and its output is injected into the source of the FET Mixer, the injection voltage is about 700mV. The 10.7MHz front end output is led to the next IF amplifier unit through a coaxial cable.

The IF amplifier unit consists of five stages of IF amplifier and one stage of AGC amplifier. Three pieces of dual elements ceramic filters are also used to obtain high selectivity, four stages of symmetrical diode limiters are also employed for the best limiting characteristics, improved capture ratio and good AM suppression.

A part of FM Front End output is applied to the AGC amplifier H201 and rectified its output is fed back to the gate of FET RF amplifier to decrease the gain with increased signal strength.

The IF signal sufficiently amplified through every stage of IF amplifier is finally applied to the Transistor limiter. The detected audio output is led to the buffer amplifier H208 and its buffered output is led to; (a) noise amplifier H471 through resistor R471 and capacitor C471, (b) Quadradial Jack on the rear panel through resistor R484, (c) MPX stereo decoding circuit through R483.

3.1 Audio Muting and Stereo mode auto-selecting circuit

The muting circuit consisting of all solid-state electrical switching has been incorporated in the Model 115. Three inputs control the muting function. The first is related to signal strength, the second to the noise condition at the detector and the third is derived from the DC component of the detector output. These inputs are properly matrixed and gated to provide muting free from noise and transients.

The first input of DC voltage obtained by rectifying a part of IF output signal from the H206 is applied to the base of H306 and turns on it, if the IF output is greater than predetermined level (muting threshold level). When the H306 is turned on the H307 is turned off, allowing the emitter-collector resistance increasing and the collector voltage rises about 9V. The increased collector voltage increases the gate bias voltage and turns on the switching FET H308, decreasing the source-drain resistance to near zero ohm and allowing the audio signal applied to the source to flow to the center of 38KHz switching transformer through the source-drain path.

When the input signal is lower than predetermined level, the DC output obtained is small and can not turn on the H306, thus the H306 keeps its turn-off stage and this makes H307 turn on, decreasing the collector voltage and turning off H308. Thus no audio signals can pass through the FET. This is the fundamental principle of the muting operation but for more elaborate muting operation the second and the third inputs are necessary.

The second input is used to protect the muting operation and MPX stereo beacon lamps from misoperation due to undesirable noises. The high frequency noises included in the detected audio signals are separated by a small capacitor C471 and amplified by the noise amplifier transistor H471 and its output is rectified by the two diodes. The rectified DC output is proportional to the noise components in the audio signals.

When there are excessive noises in the audio signals such as obtained with a station incorrectly tuned in, the rectified DC output turns on the transistor H472, decreasing the emitter-collector resistance to zero. This means the collector of H307 is short-circuited to the ground, therefore the H308 is turned off and any audio signals having excessive high frequency noises can not go through the FET's source-drain path.

The transistor H303 connected in series with the 19KHz pilot signal amplifier transistor H302 is also turned off (when the transistor H472 or H307 are turned on.) and no current flows in the H302, resulting in turning off the stereo beacon lamps. Thus misoperation due to undesirable noises is also avoided.

The third input is obtained from the FM discriminator circuit. The DC output so called "S" curve is applied to the gate of H478 through a resistor R273 and deviding network (R485 &

R486). The DC output is zero with a station correctly tuned in, but will vary from negative to positive values or vice versa when the tuning point is deviated toward either plus or minus frequency from the correct tuning frequency.

When the DC output is increased to a greater level than that of predetermined, the increased source potential of H478 makes the transistor H481 turn on, and this makes the H306 turn off, ... H307 turn on, ... H308 turn off, ... H303 turn off (this means no 19KHz pilot signal is amplified and no stereo beacon is turned on.) When the DC output is increased to the negative predetermined level, the decreased source potential turns off the H479 which in turn makes the H480 turn on and the H306 in turned off. The subsequent changes are exactly the same as that just described above.

Thus when the tuning is shifted or deviated to the certain frequencies in which undesirable noisy side-audio signals are produced, both muting and 19KHz switching transistors are operated automatically and open the circuits.

With the station correctly tuned in, the bias current of the FET H478 is adjusted so that both transistor H480 and H481 are not turned on, giving no effect on the transistor H306.

3.2 MPX Stereo Decoding Circuit

The buffered and non-equalized audio signals are applied to the first amplifier H301 which serve as a tuned amplifier for the pilot signal in the composite signals and as a buffer amplifier for the audio signals. The amplified 19KHz pilot signal is led to the second 19KHz amplifier H302 and further amplified if switching transistor H303 is turned on by the controlling DC signal as described in the preceding chapter. The final 19KHz pilot signal is rectified by the doubler circuit consisting of the H315 and H316 to obtain synchronized 38KHz amplifier driving signal.

The H304 is the 38KHz tuned amplifier and supplies its output to the switching matrix circuit consisting of four diodes. While the composite signals are applied to the center tap of switching transformer 1/2 L302. The right and left stereo signals decoded by the switching circuit are led to the crosstalk cancelling amplifier which utilizes complementary configuration with NPN and PNP transistors through de-emphasis network consisting of C315 and R335, and C316 and R336. L305 is a low-pass filter networks having very sharp cut off characteristics and eliminates undesirable residual switching signals. Transistors H313 and H314 are buffer amplifiers and their outputs are led to the function switch.

3.3 Suggestion for Trouble Shooting of FM Tuner

3.3.1 Symptom: No FM Reception

First turn on the Power switch and try to tune FM stations. Rotate the fly-wheel tuning knob slowly and observe the FM signal strength meter. If the signal strength meter deflect at several frequencies received, the tuner circuits preceding the discriminator circuit may have no failure. When no reading is obtained in the meter, check FM local oscillator circuit, using a RF VTVM. The normal local oscillator voltage is one or two volts (rms) at the tuning capacitor, depending on the tuning capacitor position. If the local oscillator voltage is normal, next check all voltage distribution in the FM Front End and IF amplifier unit and compare them with those shown in the circuit diagram. When signal strength meter deflects but no sound is obtained, check audio circuits, using high sensitive oscilloscope.

3.3.2 Symptom: No Stereo Separation

First check the "MONO" switch is in normal out position. Connect a FM RF signal generator output modulated by a stereo modulator to the rear FM antenna terminals, and check the stereo beacon is turned on or not. If not turned on, check for 19KHz pilot signal and 38KHz switching signal, using an oscilloscope.

4. AM ALIGNMENT PROCEDURE

4.1 AM IF Alignment

1. Connect a sweep generator to the J151 and an alignment scope to the J162.
2. Rotate each core of IF transformer L153 and L154 for maximum height and flat top symmetrical response.

4.2 AM Frequency Range and Tracking Alignment

1. Set AM signal generator to 525KHz. Turn the tuning capacitor fully closed (place the tuning pointer at the low end.) and adjust the oscillator coil L152 for maximum audio output.
2. Set the signal generator to 1650KHz. Place the tuning pointer in the high frequency end and adjust the oscillator trimmer on the oscillator tuning capacitor for maximum audio output.
3. Repeat the step 1 and 2 until no further adjustment is necessary.
4. Set the generator to 600KHz and tune the receiver to the same frequency and adjust a slug core of AM ferrite rod antenna and RF coil L151 for maximum output.
5. Set the generator to 1400KHz and tune the receiver to the same frequency and adjust both trimming capacitors of Antenna and RF tuned circuit for maximum output.
6. Repeat the step 4 and 5 until no further adjustment is necessary.

Note: During tracking alignment reduce the signal generator output as necessary to avoid AGC action.

5. FM ALIGNMENT PROCEDURE

1. Connect a FM signal generator to the FM antenna terminals and a oscilloscope and an audio distortion analyzer to the tape output jacks on the rear panel.
2. Set the FM SG to 87.5MHz and provide about 3 to 5 μ V. Place the tuning pointer at the low frequency end by rotating the tuning knob and adjust the core of oscillator coil L104 to obtain maximum audio output.
3. Set the FM SG to 108.5MHz and provide about 3 to 5 μ V output. Rotate the tuning knob and place the tuning pointer at the high frequency end and adjust the trimming capacitor C106 for Maximum output.
4. Repeat the step 2 and 3 until no further adjustment is necessary.
5. Set the FM SG to 90MHz and tune the receiver to the same frequency. Decrease signal generator output until the audio output level decreases with the decreasing generator output. Adjust the antenna coil L101, RF coil L102 and L103 and IF transformer L105 for minimum audio distortion.
6. Set the FM SG to 106MHz and tune the receiver to the same frequency. Adjust the trimming capacitor C102, C104 and C105 for minimum distortion.
7. Adjust the secondary core (upper) of discriminator transformer L201 so that the center tuning meter pointer indicates its center at no signal applied. Set the FM SG to 98MHz and increase its output level to 1K μ V and tune the receiver to the same frequency so that the center tuning meter pointer indicates its center. Adjust the primary core (lower) of L201 for minimum distortion.

5.1 Stereo Separation Alignment:

1. Set the FM SG to provide 1K μ V at 98MHz. Tune the receiver to the same frequency so that the center tuning meter pointer indicates its center.
2. Modulate the FM SG with stereo composite signal consisting of only subchannel signal (of course a pilot signal must be included). Adjust the core of L301 for maximum audio output, then, modulate the signal generator with a stereo composite signal consisting of only L channel signal and again adjust the core of L301 for maximum audio output.
3. Adjust the trimming resistor R365 for maximum and same separation in both channels.

5.2 Muting Circuit Alignment

1. Connect a VTVM across the resistor R487 and adjust the resistor R487 until the meter reads 0.75V DC at no signal.
2. Set the FM SG to provide 1 K μ V at 98 MHz and tune the receiver to the same frequency correctly.
3. Turn on MUTING push-switch. Shift the FM signal generator frequency to plus and minus and note both plus and minus shifted frequencies at which undesirable audio side responses are muted out. Adjust the R487 so that the same shifted frequencies mute the undesirable side response.

6. TEST EQUIPMENT REQUIRED FOR SERVICING

Table 1 lists the test equipment required for servicing the Model 115 Tuner.

Item	Manufacturer and Model No.	Use
AM Signal Generator		Signal source for AM alignment
Test Loop		Used with AM Signal generator
FM Signal Generator	Less than 0.3% distortion	Signal source for FM alignment
Stereo Modulator	Less than 0.3% distortion	Stereo separation alignment and trouble shooting
Audio Oscillator	Weston Model CVO-100P, less than 0.02% residual distortion is required.	Sinewave and squarewaves signal source.
Oscilloscope	High sensitivity with DC horizontal and vertical amplifiers.	Waveform analysis and trouble shooting, and ASO alignment.
VTVM	With AC, DC, RF range	Voltage measurements.
Circuit Tester		Trouble shooting

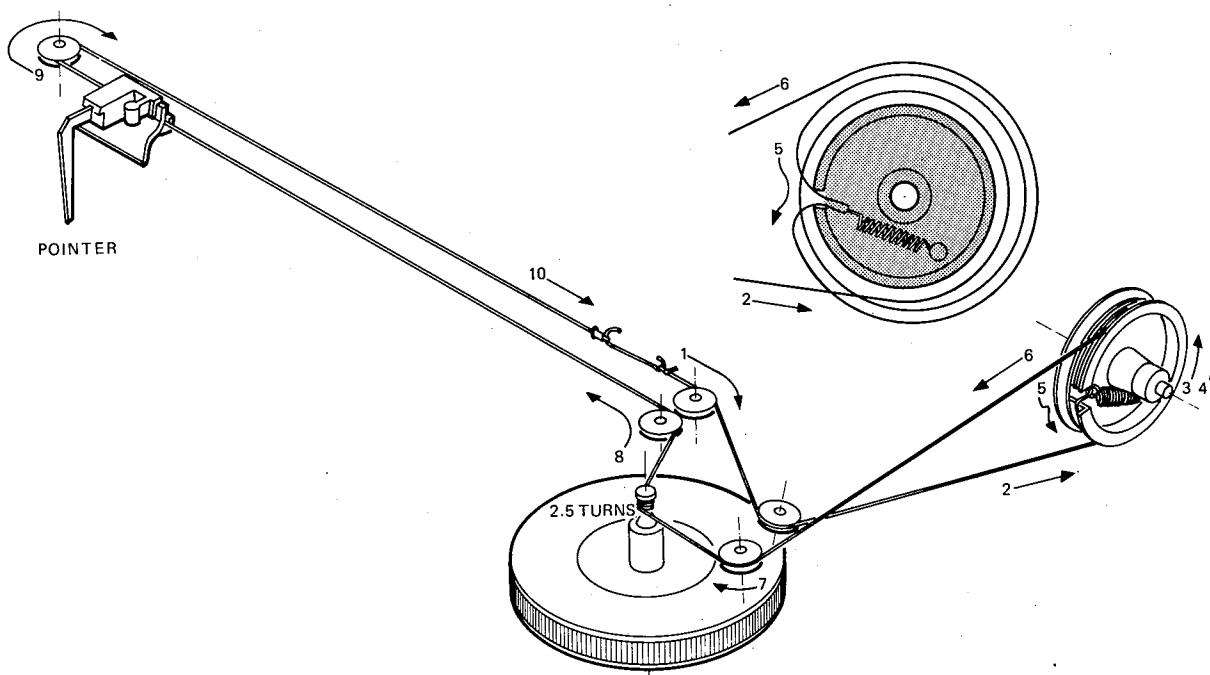


Figure 1. Dial Stringing

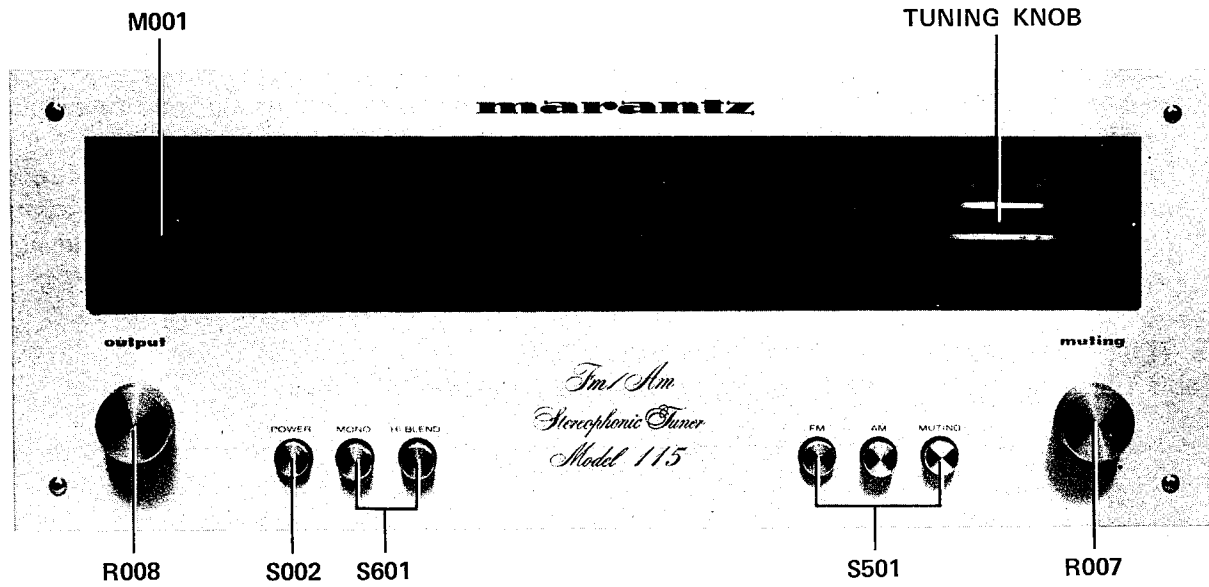


Figure 2. Front Panel Adjustment and Component Locations

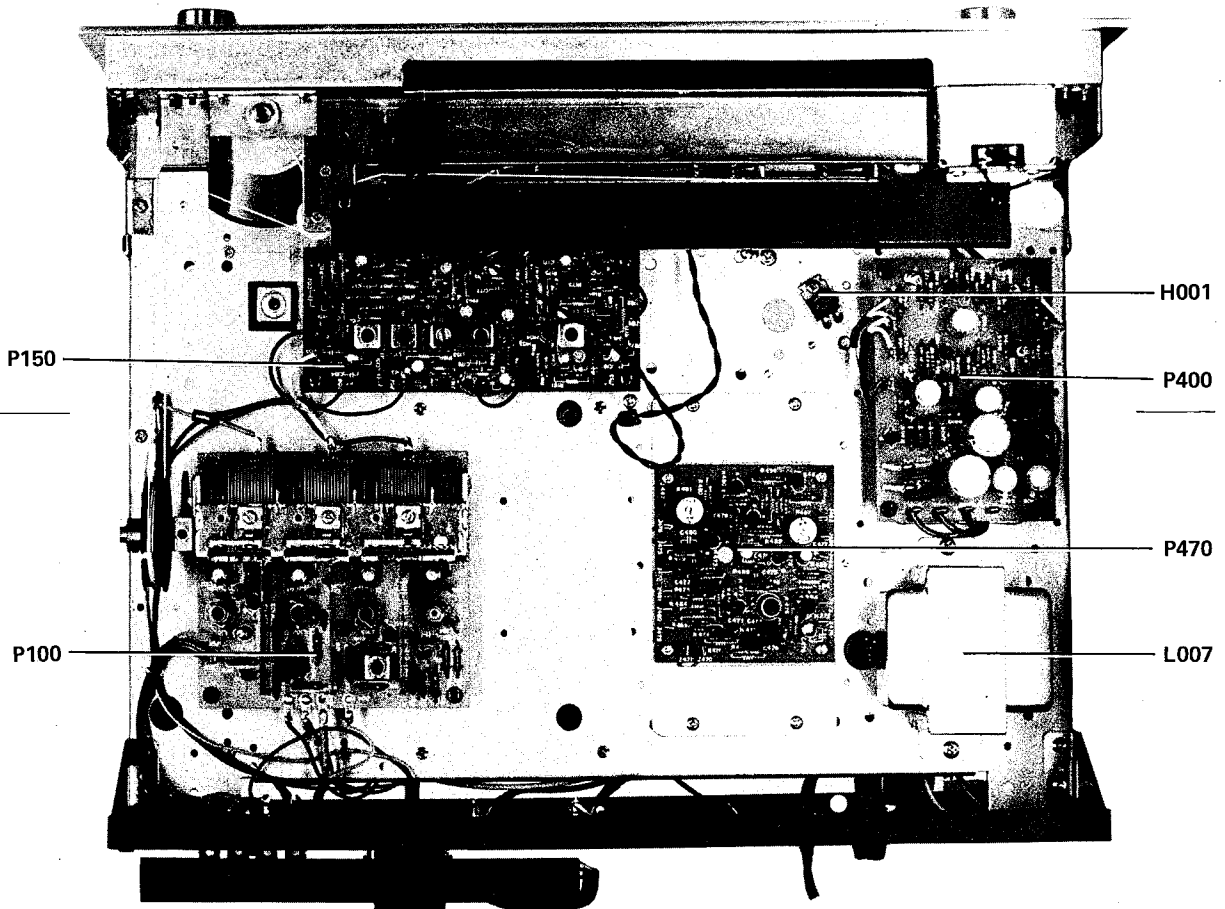


Figure 3. Main Chassis Component Locations (Top View)

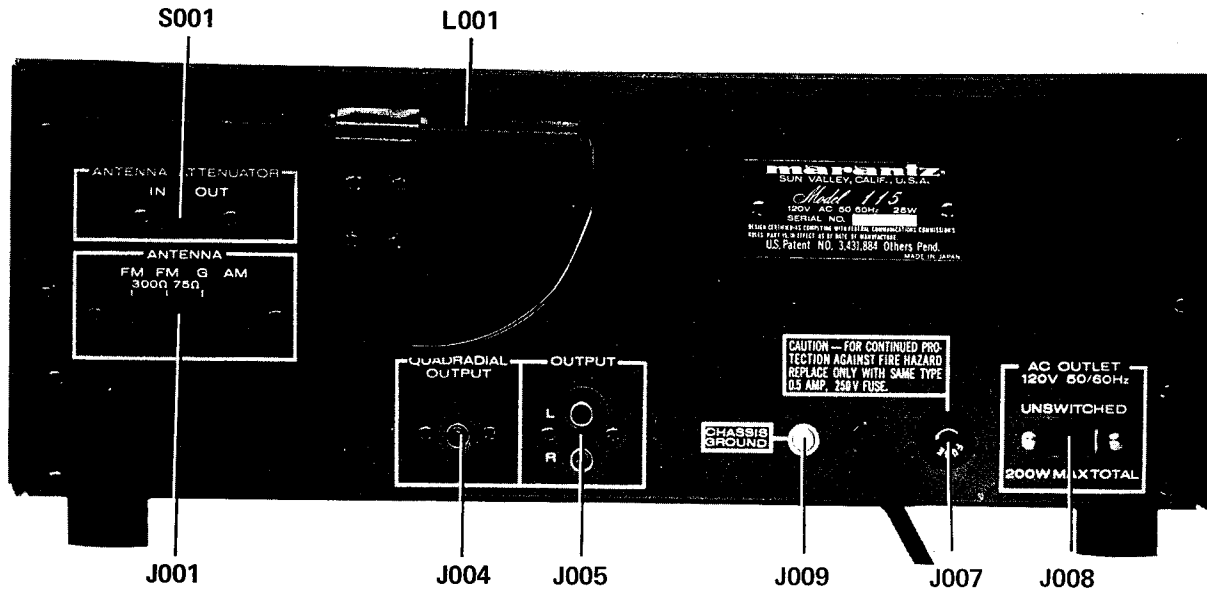


Figure 4. Rear Panel Adjustment and Component Locations

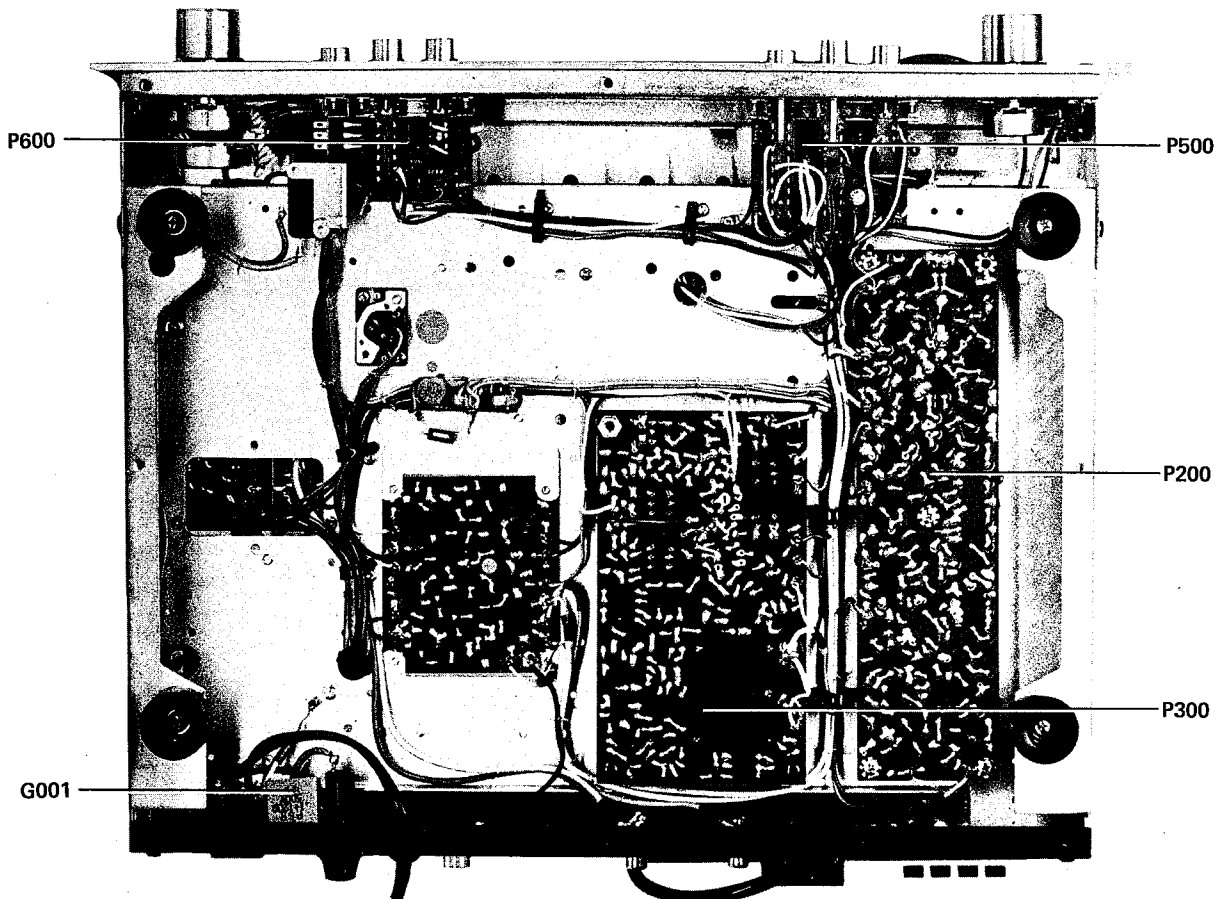


Figure 5. Main Chassis Component Locations (Bottom View)

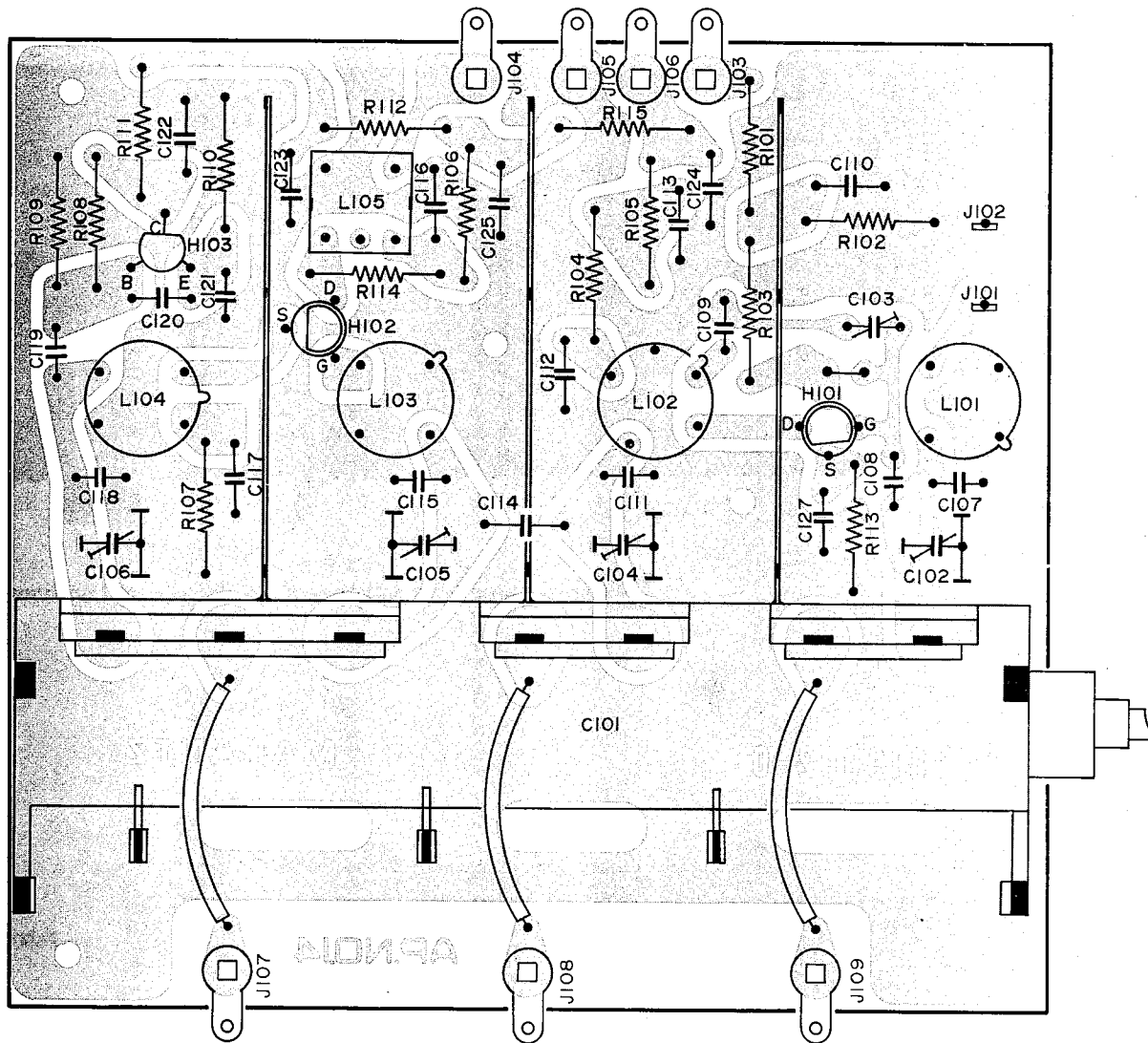


Figure 6. FM Front End Assembly P100 Component Locations

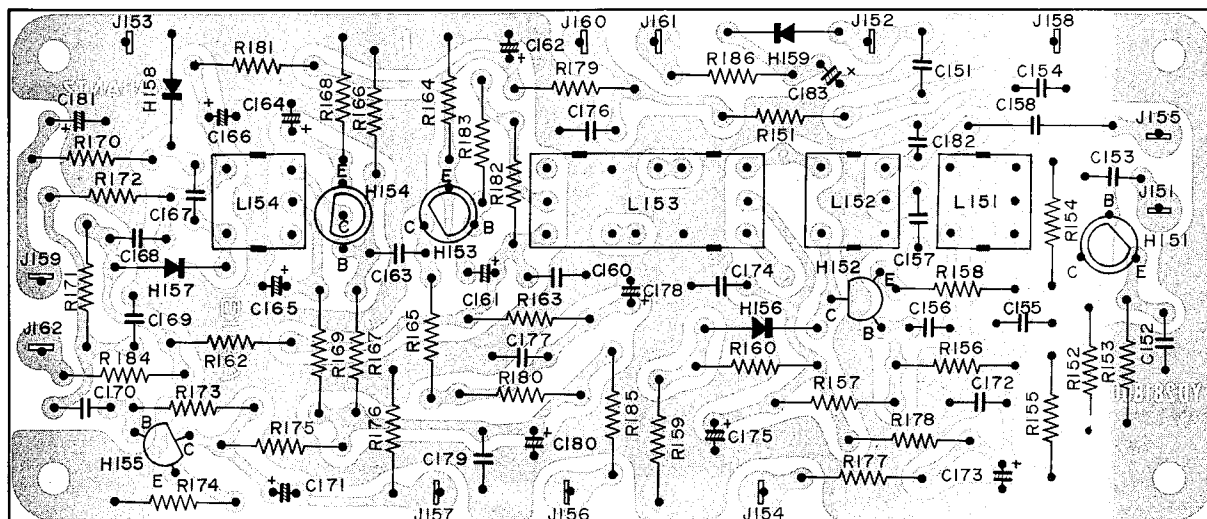


Figure 7. AM Tuner Unit Assembly P150 Component Locations

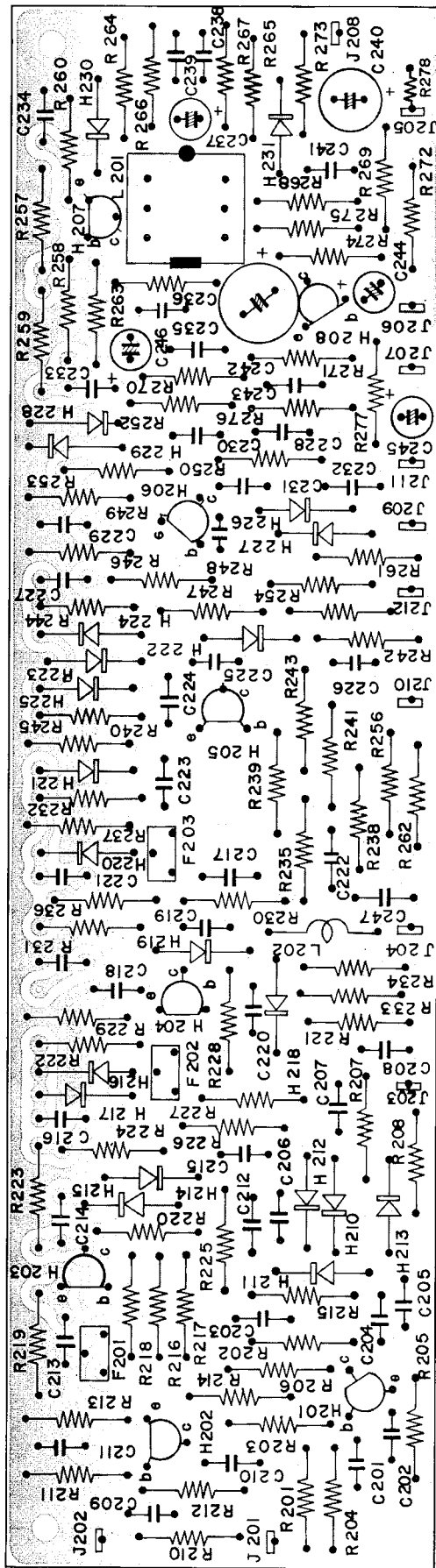


Figure 8. FM IF Amplifier Assembly P200 Component Locations

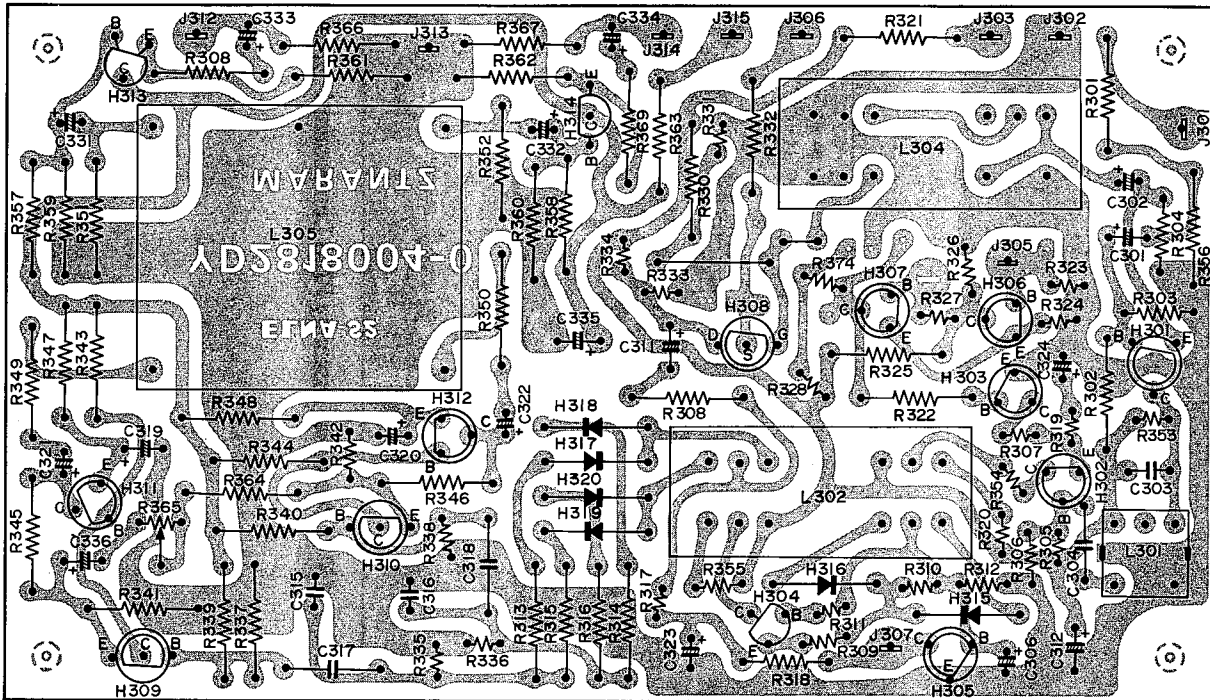


Figure 9. MPX Stereo Decoding Amplifier Assembly P300 Component Locations

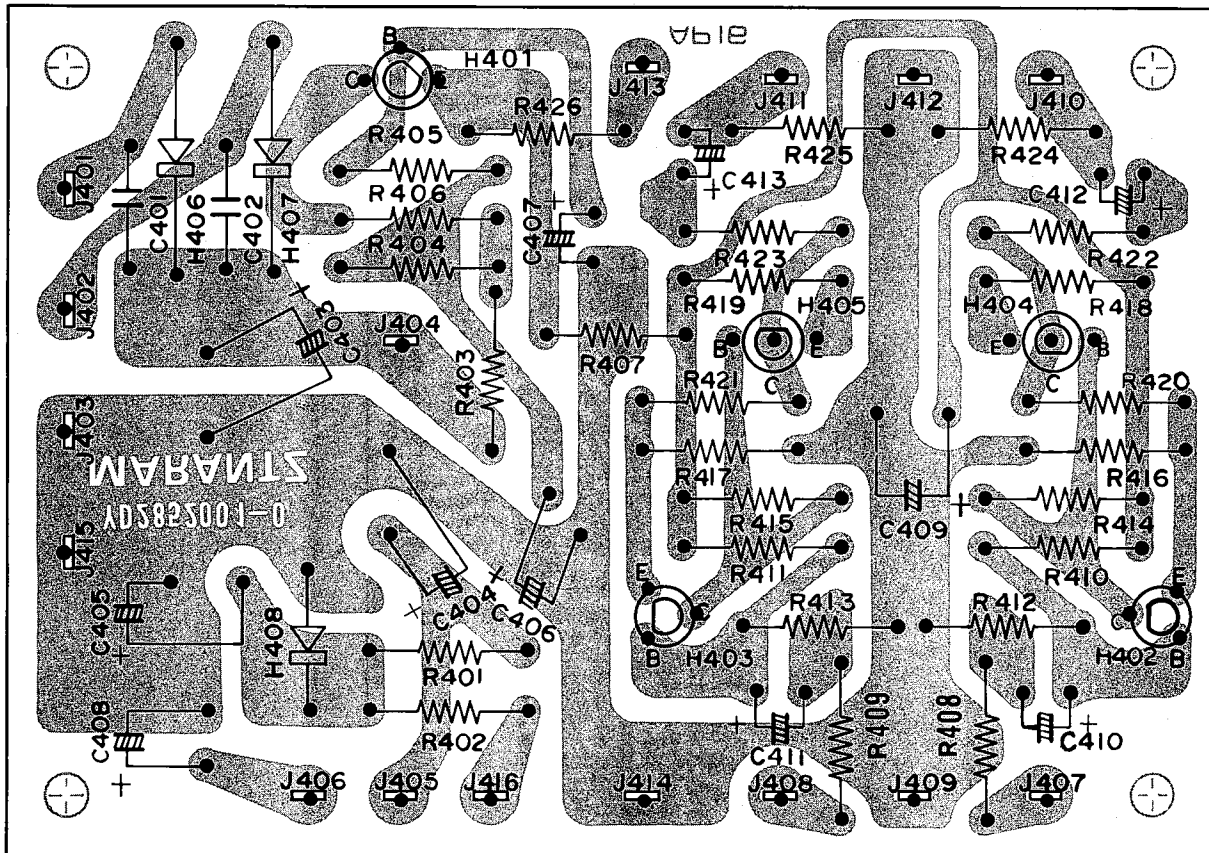


Figure 10. Pre-Amplifier and Power Supply Assembly P400 Component Locations

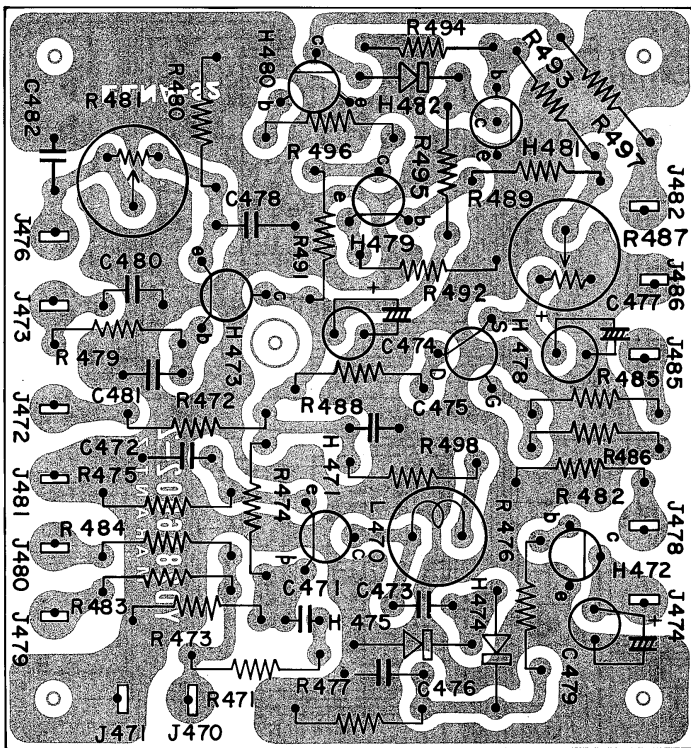


Figure 11. Noise and DC Amplifier Assembly P470 Component Locations

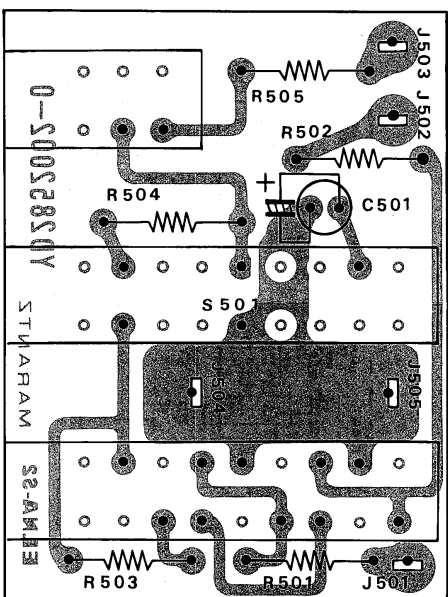


Figure 12. FM, AM and Muting Switch Assembly P500 Component Locations

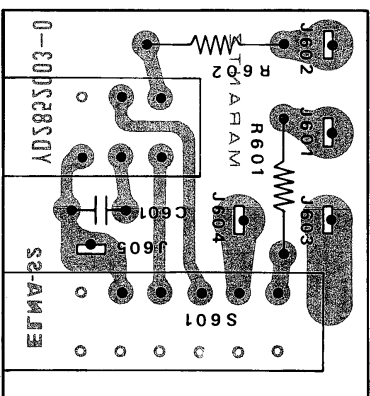


Figure 13. Mono and Hi Blend Switch Assembly P600 Component Locations

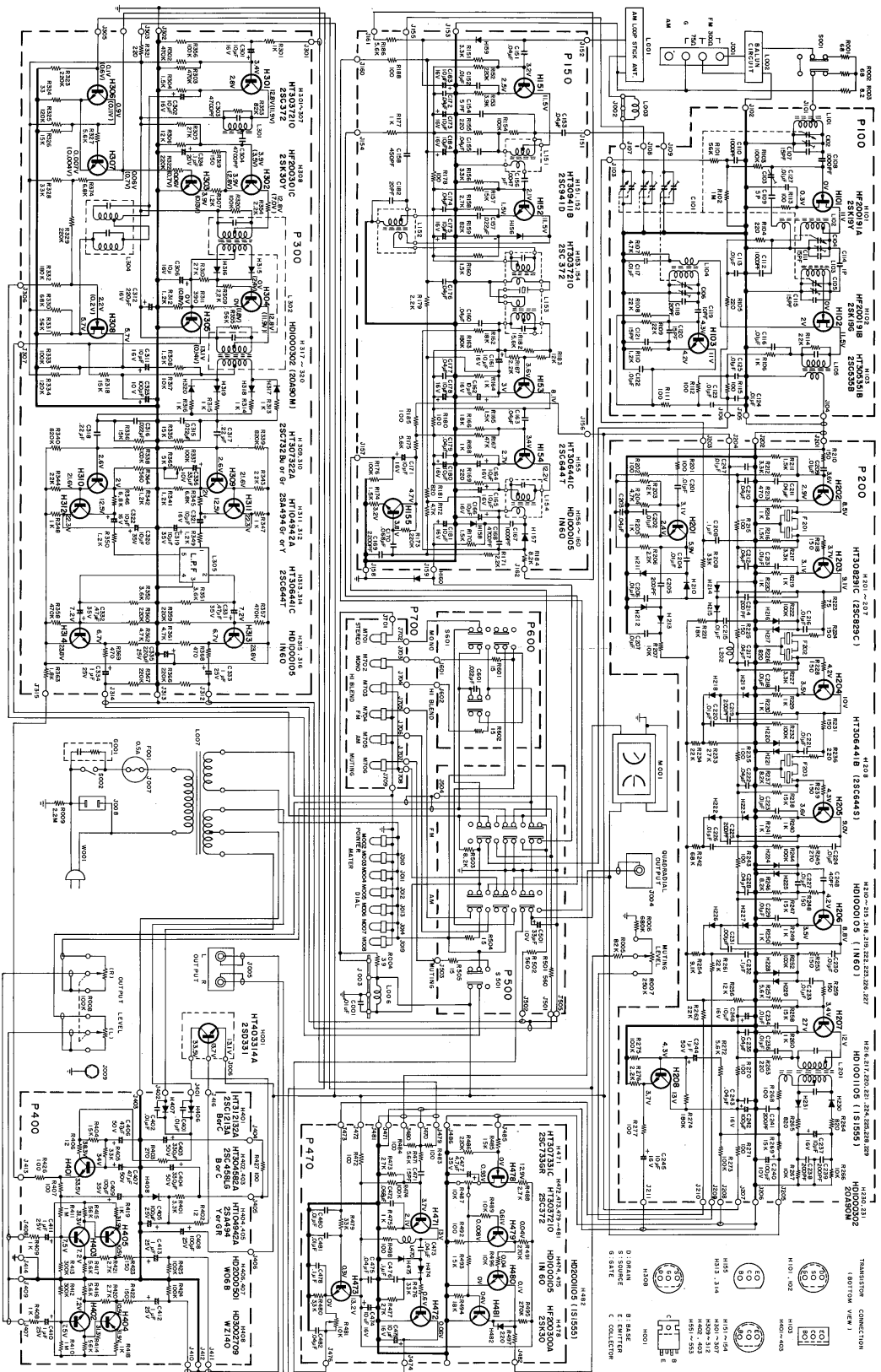


Figure 14. Schematic Diagram

7. PARTS LIST

REF. DESIG.	MARANTZ PART NO.	DESCRIPTION
P100	YD2819002 ZZ2856102	P.C. Board P.C. Board Ass'y
		RESISTORS All resistors are $\pm 5\%$ and $\frac{1}{4}W$.
R101	RT0556314	56K Ω
R102	RT0510514	1M Ω
R103	RT0510414	100K Ω
R104	RT0522114	220 Ω
R105	RT0522114	220 Ω
R106	RT0510214	1K Ω
R107	RT0547214	4.7K Ω
R108	RT0522314	22K Ω
R109	RT0522314	22K Ω
R110	RT0512214	1.2K Ω
R111	RT0510114	100 Ω
R112	RT0510114	100 Ω
R113	RT0510114	100 Ω
R114	RT0522314	22K Ω
R115	RT0510114	100 Ω
		CAPACITORS
C102	CT1100001	Trimming 1.5 ~ 10PF
C103	CT1100002	Trimming 1.5 ~ 10PF
C104	CT1100001	Trimming 1.5 ~ 10PF
C105	CT1100001	Trimming 1.5 ~ 10PF
C106	CT1100001	Trimming 1.5 ~ 10PF
C107	DD1615001	Ceramic 15PF $\pm 10\%$
C108	DK1710201	Ceramic 1000PF $\pm 20\%$
C109	DD1105001	Ceramic 5PF $\pm 0.5PF$
C110	DK1710201	Ceramic 1000PF $\pm 20\%$
C111	DD1615001	Ceramic 15PF $\pm 10\%$
C112	DK1710201	Ceramic 1000PF $\pm 20\%$
C113	DK1710301	Ceramic 0.01 μF $\pm 20\%$
C114	DD1001001	Ceramic 1.0PF $\pm 0.25PF$
C115	DD1615001	Ceramic 15PF $\pm 10\%$
C116	DK1710301	Ceramic 0.01 μF $\pm 20\%$
C117	DK1710301	Ceramic 0.01 μF $\pm 20\%$
C118	DD1620003	Ceramic 20PF $\pm 10\%$
C119	DD1210006	Ceramic 10PF $\pm 1PF$
C120	DD1615003	Ceramic 15PF $\pm 10\%$
C121	DD1615003	Ceramic 15PF $\pm 10\%$
C122	DK1710301	Ceramic 0.01 μF $\pm 20\%$
C123	DK1710301	Ceramic 0.01 μF $\pm 20\%$
C124	DK1710301	Ceramic 0.01 μF $\pm 20\%$
C125	DK1710301	Ceramic 0.01 μF $\pm 20\%$
C127	DK1710301	Ceramic 0.01 μF $\pm 20\%$
		COILS AND TRANSFORMERS
L101	LA1203603	Ant Coil
L102	LA1202604	RF Coil
L103	LA1202605	RF Coil
L104	LO1202603	OSC Coil
L105	LI 1001601	I F T
		SEMICONDUCTORS
H101	HF200191A	Transistor 2SK19Y
H102	HF200191B	Transistor 2SK19G
H103	HT305351B	Transistor 2SC535B
		MISCELLANEOUS
J101	YP1000094	Plug

REF. DESIG.	MARANTZ PART NO.	DESCRIPTION
J102	YP1000094	Plug
J103	57271240W	Lug Eyelet
J104	57271240W	Lug Eyelet
J105	57271240W	Lug Eyelet
J106	57271240W	Lug Eyelet
J107	57271240W	Lug Eyelet
J108	57271240W	Lug Eyelet
J109	57221240W	Lug Eyelet
1016	273010903	Shield
L003	LC1332002	Choke Coil 3.3 μH
P150	YD2818002 ZZ2856112	P.C. Board P.C. Board Ass'y
		RESISTORS All resistor are $\pm 5\%$ and $\frac{1}{4}W$.
R151	RT0533214	3.3K Ω
R152	RT0522414	220K Ω
R153	RT0539214	3.9K Ω
R154	RT0510414	100K Ω
R155	RT0522114	220 Ω
R156	RT0533214	3.3K Ω
R157	RT0515314	15K Ω
R158	RT0527214	2.7K Ω
R159	RT0582314	82K Ω
R160	RT0515214	1.5K Ω
R162	RT0518314	18K Ω
R163	RT0518414	180K Ω
R164	RT0510214	1K Ω
R165	RT0515214	1.5K Ω
R166	RT0518314	18K Ω
R167	RT0547314	47K Ω
R168	RT0510214	1K Ω
R169	RT0522114	220 Ω
R170	RT0515214	1.5K Ω
R171	RT0522214	2.2K Ω
R172	RT0547214	4.7K Ω
R173	RT0522414	220K Ω
R174	RT0515214	1.5K Ω
R175	RT0556214	5.6K Ω
R176	RT0510414	100K Ω
R177	RT0510214	1K Ω
R178	RT0510114	100 Ω
R179	RT0522214	2.2K Ω
R180	RT0510114	100 Ω
R181	RT0582114	820 Ω
R182	RT0556214	5.6K Ω
R183	RT0512314	12K Ω
R184	RT0582214	8.2K Ω
R185	RT0510114	100 Ω
R186	RT0556214	5.6K Ω
R187	RT0522214	2.2K Ω
R188	RT0510114	100 Ω
		CAPACITORS
C151	DF1740301	Film 0.04 μF $\pm 20\%$
C152	DF1710301	Film 0.01 μF $\pm 20\%$
C153	DF1740301	Film 0.04 μF $\pm 20\%$

REF. DESIG.	MARANTZ PART NO.	DESCRIPTION		
C154	DD1105001	Ceramic	5PF	± 0.5PF
C155	DF1740301	Film	0.04 μ F	± 20%
C156	DF1747201	Film	0.0047 μ F	± 20%
C157	DF1722301	Film	0.022 μ F	± 20%
C158	DF6545101	Film	450PF	± 5%
C160	DF1740301	Film	0.04 μ F	± 20%
C161	EA1060169	Electroly	10 μ F	16V
C162	EA1060169	Electroly	10 μ F	16V
C163	DF1740301	Film	0.04 μ F	± 20%
C164	EA1060169	Electroly	10 μ F	16V
C165	EA1060169	Electroly	10 μ F	16V
C166	EA1060169	Electroly	10 μ F	16V
C167	DK1710201	Ceramic	1000PF	± 20%
C168	DF1747201	Film	4700PF	± 20%
C169	DF1722201	Film	2200PF	± 20%
C170	DF1668301	Film	0.068 μ F	± 10%
C171	EA1060169	Film	10 μ F	16V
C172	DF1740301	Film	0.04 μ F	± 20%
C173	EA1060169	Electroly	10 μ F	16V
C174	DF1740301	Film	0.04 μ F	± 20%
C175	EA1060169	Electroly	10 μ F	16V
C176	DF1740301	Film	0.04 μ F	± 20%
C177	DF1740301	Film	0.04 μ F	± 20%
C178	EA1060169	Electroly	10 μ F	16V
C179	DF1740301	Film	0.04 μ F	± 20%
C180	EA1060169	Electroly	10 μ F	16V
C181	EA1060169	Electroly	10 μ F	16V
C182	DD1620001	Ceramic	20PF	± 10%
C183	EA1060169	Electroly	10 μ F	16V
C184	EA1070169	Electroly	10 μ F	16V
COILS AND TRANSFORMERS				
L151	LA1001017	RF Coil		
L152	LO1001042	RF Coil		
L153	LI 1028002	I F T		
L153	LI 1028003	I F T		
L154	LI 1001048	I F T		
SEMICONDUCTORS				
H151	HT309411B	Transistor	2SC941	
H152	HT309411B	Transistor	2SC941	
H153	HT3037210	Transistor	2SC372	
H154	HT3037210	Transistor	2SC372	
H155	HT3064410	Transistor	2SC644T	
H156	HD1000105	Diode	IN60	
H157	HD1000105	Diode	IN60	
H158	HD1000105	Diode	IN60	
H159	HD1000105	Diode	IN60	
H160	HD1000105	Diode	IN60	
MISCELLANEOUS				
J151	YP1000094	Plug		
J152	YP1000094	Plug		
J154	YP1000094	Plug		
J155	YP1000094	Plug		
J156	YP1000094	Plug		
J157	YP1000094	Plug		
J158	YP1000094	Plug		
J159	YP1000094	Plug		
J160	YP1000094	Plug		
J161	YP1000094	Plug		
J162	YP1000094	Plug		

REF. DESIG.	MARANTZ PART NO.	DESCRIPTION
P200	YD2856001 ZZ2852101	P.C. Board P.C. Board Ass'y
RESISTORS		
All resistors are ±5% and 1/4W.		
R201	RT0510114	100 Ω
R202	RT0510114	100 Ω
R203	RT0512314	12K Ω
R204	RT0547214	4.7K Ω
R205	RT0510214	1K Ω
R206	RT0522214	2.2K Ω
R207	RT0510314	10K Ω
R208	RT0533314	33K Ω
R210	RT0515114	150 Ω
R211	RT0515214	1.5K Ω
R212	RT0533214	3.3K Ω
R213	RT0547114	470 Ω
R214	RT0510214	1K Ω
R215	RT0510114	100 Ω
R216	RT0515214	1.5K Ω
R217	RT0533214	3.3K Ω
R218	RT0515114	150 Ω
R219	RT0510214	1K Ω
R220	RT0510214	1K Ω
R221	RT0518314	18K Ω
R222	RT0510414	100K Ω
R223	RT0575014	75 Ω
R224	RT0515114	150 Ω
R225	RT0510114	150 Ω
R226	RT0582114	820 Ω
R227	RT0533214	3.3K Ω
R228	RT0515114	150 Ω
R229	RT0510214	1K Ω
R230	RT0510214	1K Ω
R231	RT0515114	150 Ω
R232	RT0510414	100K Ω
R233	RT0527314	27K Ω
R234	RT0522314	22K Ω
R235	RT0510114	100 Ω
R236	RT0522114	220 Ω
R237	RT0582214	8.2K Ω
R238	RT0515314	15K Ω
R239	RT0515114	150 Ω
R240	RT0510214	1K Ω
R241	RT0510214	1K Ω
R242	RT0568314	68K Ω
R243	RT0510114	100 Ω
R244	RT0510414	100K Ω
R245	RT0527114	270 Ω
R246	RT0582214	8.2K Ω
R247	RT0515314	15K Ω
R248	RT0515114	150 Ω
R249	RT0510214	1K Ω
R250	RT0510214	1K Ω
R252	RT0510414	100K Ω
R253	RT0515114	150 Ω
R254	RT0591214	9.1K Ω
R256	RT0512314	12K Ω
R257	RT0556214	5.6K Ω
R258	RT0515314	1.5K Ω
R259	RT0515114	150 Ω

REF. DESIG.	MARANTZ PART NO.	DESCRIPTION
J011	YJ0800013	Socket Dial
J012	YJ0800013	Socket Dial
J013	YJ0800013	Socket Dial
J014	YJ0800013	Socket Dial
J019	YJ0800013	Socket Dial
M004	IN1008007	Lamp Dial
M005	IN1008007	Lamp Dial
M006	IN1008007	Lamp Dial
M007	IN1008007	Lamp Dial
M008	IN1008007	Lamp Dial
R005	RT0582314	Resistor 82K Ω \pm 5% $\frac{1}{4}$ W
R006	RT0582414	Resistor 680K Ω \pm 5% $\frac{1}{4}$ W
R007	RK0294003	Resistor Variable 290K Ω B
J020	YJ0103001	Terminal 3P
P000	YZ2852002	P. C. Board
R001	RT0556114	MISCELLANEOUS Resistor 560 Ω \pm 5% $\frac{1}{4}$ W
R002	RT0556114	Resistor 560 Ω \pm 5% $\frac{1}{4}$ W
R003	RT0582214	Resistor 8.2K Ω \pm 5% $\frac{1}{4}$ W
R004	RC1015012	Resistor 15 Ω \pm 10% $\frac{1}{4}$ W
R005	RC1015012	Resistor 15 Ω \pm 10% $\frac{1}{4}$ W
C001	EA3360109	Capacitor Electroly 33 μ F 10V
SE01	SP0603002	Pushswitch FM-AM-Mut
J501	YP1000094	Plug
J502	YP1000094	Plug
J503	YP1000094	Plug
J504	YP1000094	Plug
J505	YP1000094	Plug
1307	62031650W	Lug
P000	YZ2852003	P. C. Board
R001	RC1015012	MISCELLANEOUS Resistor 15 Ω \pm 10% $\frac{1}{4}$ W
R002	RC1015012	Resistor 15 Ω \pm 10% $\frac{1}{4}$ W
C001	DF1622301	Capacitor Film 0.02 μ F \pm 10%
SE01	SP0602002	Pushswitch Mono Hi-Blend
J801	YP1000094	Plug
J802	YP1000094	Plug
S002	SP 0301001	Pushswitch Power
R008	RM0104008	Resistor Variable 100K Ω B

REF. DESIG.	MARANTZ PART NO.	DESCRIPTION
B	282610340	Pointer As'y
0527	281810301	Pointer
0528	282610301	Pointer
0529	281805301	Pointer
M002	IN1008018	Lamp Dial Pointer
C	285200640	String As'y
0532	72080802A	String
0533	120225801	Hook
0534	563825403	Eyelet
D	285227340	Fly Wheel As'y
0604	257706302	Escutcheon
0605	257727301	Fly Wheel
0606	285212301	Shaft
0610	53110630E	Hexagon Nut
0611	54040602N	Spring Washer
0612	285012302	Flat Washer P
0617	285012302	Spring Washer
0608	54040402N	Spring Washer
0803	285216001	Bracket
0804	285216021	Bracket
0819	145529903	Bush
0920	284506701	Cap
0829	257816010	Bracket
0830	257816011	Bracket
0903	511100308S	B. H. M. Screw
0904	53110303E	Hexagon Nut
0906	511100308S	B. H. M. Screw
0907	53110303E	Hexagon Nut
0912	55060307F	T. R. Rivet
0913	54050300R	T. L. Washer OR
0916	511100308S	B. H. M. Screw
0917	62031650W	Lug
0920	511100308S	B. H. M. Screw
0923	53110403E	Hexagon Nut
0925	54020401E	Flat Washer P
0926	54050400R	T. L. Washer OR
0934	511100308S	B. H. M. Screw
0935	54040302N	Spring Washer
G001	BF1040001	Printed Compo.
L002	LB3007526	Balun Coil FM 75 Ω \rightarrow 300 Ω
J001	YJ0304002	Terminal
J007	YJ0800012	Socket
J008	YJ0400016	Fuse Holder
J009	YJ0301021	AC Outlet
W001	YC0240010	AC Cord
0811	257816052	Bracket K

REF. DESIG.	MARANTZ PART NO.	DESCRIPTION
0816	281927103	Holder
0929	51100310S	B. H. M. Screw
0930	53110303E	Hexagon Nut
0931	511100308S	B. H. M. Screw
0932	53110303E	Hexagon Nut
0933	54050300R	T. L. Washer OR
L001	LF1120023	Ant Coil AM
0924	62041760W	Lug
1308	62031650W	Lug
R009	G10522612	Resistor 2.2M Ω \pm 5%
R001	RC1068012	Resistor 68 Ω \pm 10%
R002	RC1068012	Resistor 68 Ω \pm 10%
R003	RC1008212	Resistor 8.2 Ω \pm 10%
J004	YT0201006	Terminal RCA 1P
J005	YT0202007	Terminal RCA 2P
S001	SS0202017	Slide Switch FM Ant Att
E	281915940	Drum As'y
1004	281915901	Drum
1005	71101568M	Spring
1006	51650304D	Set Screw
1134	138200603	Clamper
0816	RC1039012	Resistor 39 Ω \pm 10% $\frac{1}{2}$ W
C001	DK1710301	Capacitor Ceramic 0.01 μ F \pm 20%
L006	LC1332002	Choke Coil 3.3 μ H
J003	YL0104001	Terminal 4P Lug
J006	YJ0500017	Socket
W002	YV2852001	Wire Materials
W003	YX 2852001	Wire Materials
0126	Z759905701	Lug
0313	51100410A	B. H. M. Screw
0314	54020401A	Flat Washer P
0315	54040402A	Spring Washer
1103	285210550	Chassis K
1111	285216004	Bracket
1114	282610102	Support
1115	282610104	Support

REF. DESIG.	MARANTZ PART NO.	DESCRIPTION
1133	Z73025601	Bush
1203	51570306B	P. H. Tapr Screw
1204	51100306B	P. H. M. Screw
1206	51570306B	P. H. Tapr Screw
1207	51100306B	P. H. M. Screw
1209	51570408B	P. H. Tapr Screw
1210	54020401E	Flat Washer P
1211	54040202N	Spring Washer
1214	51570306B	P. H. Tapr Screw
1215	51570306B	P. H. M. Screw
1218	51100306S	B. H. M. Screw
1219	51100306S	B. H. M. Screw
1220	51100306S	B. H. M. Screw
1221	51100306E	B. H. M. Screw
1222	51570306B	P. H. Tapr Screw
1225	B9030805P	Fine Washer
1226	B9030805P	Fine Washer
1302	51570306B	P. H. Tapr Screw
1303	51570306B	P. H. Tapr Screw
1305	54050300R	T. L. Washer OR
1311	51100306S	B. H. M. Screw
J002	YL0103001	Terminal 3P Lug
H001	HT403314A	Transistor 2SD331
F001	FS1005607	Fuse 0.5A (UL)
1011	281905102	Guide
1012	51060305E	P. H. M. Screw
C101	CA4330001	Variable
0111	281815401	Knob
0112	282815401	Knob
0116	282625701	Lid
0117	257711803	Spacer
0121	282625702	Lid
0305	51100406S	B. H. M. Screw
0309	E1100401S	B. H. M. Screw
0310	E1100401S	Flat Washer P
0427	285258901	Protector
0510	28523001	Dial
0516	281912002	Insulator
0616	281810650	Bearing K
0620	51640410D	Set Screw C. P.
0621	54040402N	Spring Washer
0622	53110403E	Hexagon Nut
0624	51100306A	B. H. M. Screw



8. TECHNICAL SPECIFICATIONS

FM SECTION:

Tuning Frequency Range 88-108 MHz
 IHFM Usable Sensitivity 2.3µV
 IHFM Selectivity 60dB
 Capture Ratio 1.6dB
 Image Rejection Ratio at 106MHz 70dB
 Signal to Noise Ratio (Mono) 70dB
 Signal to Noise Ratio (Stereo) 60dB
 Total Harmonic Distortion (Mono) 0.15%
 Total Harmonic Distortion (Stereo) 0.3%
 Frequency Response (ref. 75µ sec. de-emphasis) ±1dB, 50 Hz-15KHz
 Stereo Separation at 1 KHz 42dB

AM SECTION:

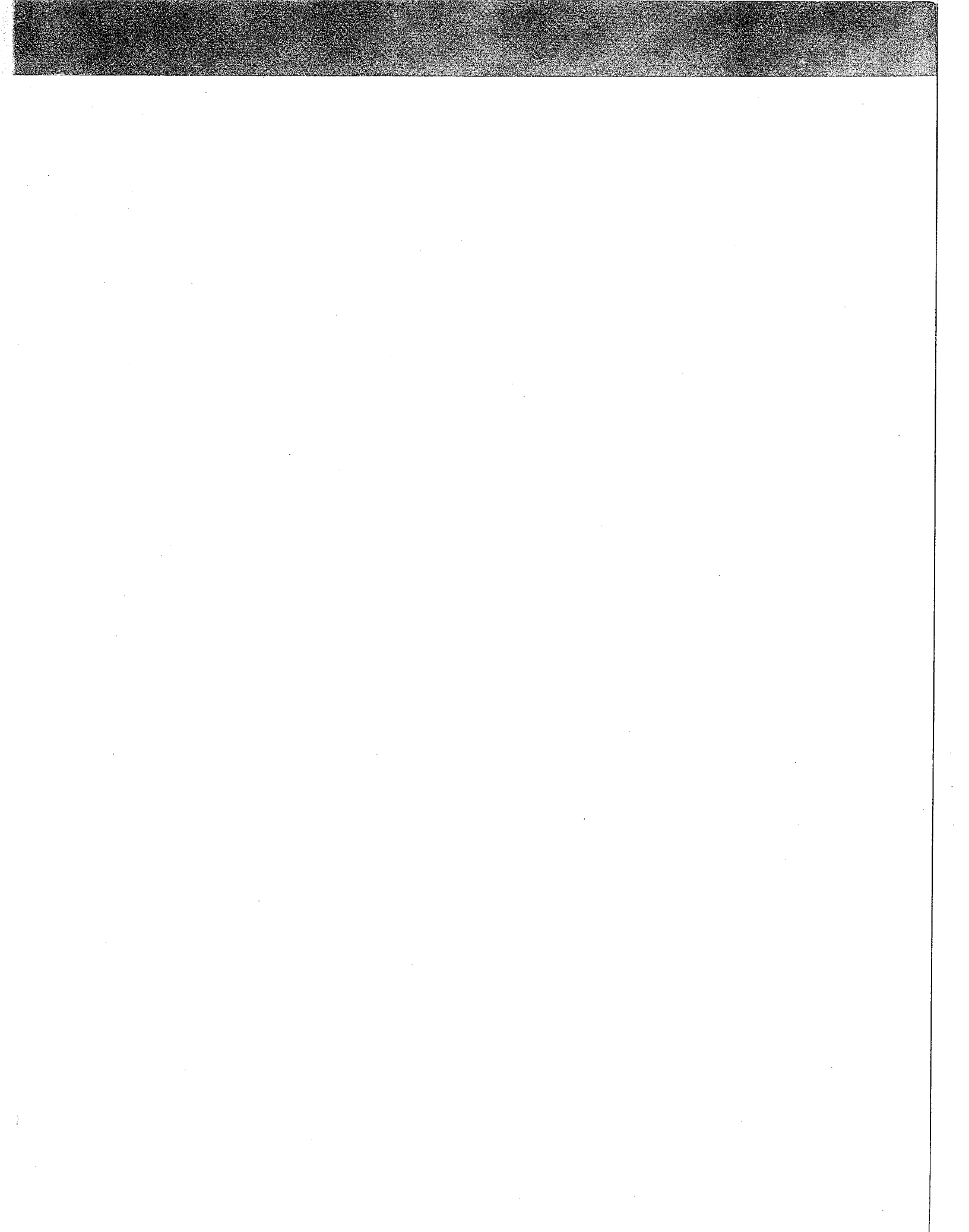
Tuning Frequency Range 535-1605KHz
 Usable Sensitivity 20µV
 Selectivity 26dB
 Image Rejection Ratio 70dB
 Signal to Noise Ratio 46dB
 Frequency Response, -3dB down 50Hz-4KHz
 Total Harmonic Distortion 1%

GENERAL:

Power Requirements 120V AC
 50 to 60 Hz
 Power Consumption 25 Watts
 Dimensions Panel Width 15-3/8
 Panel Height 5-3/4
 Depth 11-13/16
 Weight Unit alone 17.6 lbs
 Packed for Shipment 30 lbs

*These specifications and exterior designs may be changed for improvement without advance notice.

REF. DESIG.	MARANTZ PART NO.	DESCRIPTION
0625 0721 0819	54050300R 51100306S 51100306S	T. L. Washer OR B. H. M. Screw B. H. M. Screw





marantz

MARANTZ CO., INC. • P.O. BOX 99 • SUN VALLEY, CALIFORNIA • 91352



A WHOLLY-OWNED SUBSIDIARY OF SUPERSCOPE INC., SUN VALLEY, CALIFORNIA 91352