

5 . PARTS LIST

DRAWING NUMBER	DESCRIPTION	PAGE
1. 4G206627	P8175A OVERALL	5-1
2. 4G206629-2	P8175A RF & ATT	5-2
3. 4G206630-1	P8175A COUNTER ASSY	5-11
4. 4G206631	P8175A 304KHZ CLK ASSY	5-15
5. 4G206632-2	P8175A MODULATOR	5-16
6. 4G206633-1	P8175A PANEL ASSY	5-25
7. 4G206634-1	P8175A CPU ASSY	5-29
8. 4G206635-1	P8175A ROM ASSY	5-31
9. 4G206806	P8175A001 ACCESSORY	5-32
10. 4G207303	P8175A WIRE ASSY	5-32
11. 4G304211	KP-840 PACKAGE	5-32
12. 4G304751-1	P8175A MECHA	5-33
13. 4G304752	CABINET H100xW426xD250	5-35

PARTS LIST

5 - 1

P8175A

OVERALL

DWG NO 4G206627

REF NO	QTY	PARTS NO	DESCRIPTION	
C 0001	1	ECKF1H104ZV	C:FXD CER HI-K	0.1UF +80%-20% 50V
△ F 0001	1	DUH500MAT	FUSE : UL	500MA 250V 20MM
J 0022	1	UG625UNI	CONNECTOR:COAX	BNC PANEL JACK
J 0024	1	UG625UNI	CONNECTOR:COAX	BNC PANEL JACK
J 0025	1	UG625UNI	CONNECTOR:COAX	BNC PANEL JACK
J 0026	1	CN-7017J	CONNECTOR:RCA JACK	
△ P 0021	1	CM11	CONNECTOR	INLET 3P
△ S 0001	1	ESB70702V	PUSHB SW	DPST 3A-250V AC
△ S 0002	1	ESD39715A	LEVER SWITCH	50A/40A 250VAC
△ S 0003	1	ESD39715A	LEVER SWITCH	50A/40A 250VAC
△ T 0001	1	84T08	P8190A TRANSFORMER	PWR
W 0011	1	EMCM1030D65V	CONNECTOR	10P L=300MM
△ XF 0001	1	FEU031.1653	FUSE HOLDER	SEV,VDE,SEMKO,UL AND
△ XF 9997	1	FEK031.1663	FUSE HOLDER CAP	5X20MM FUSE

PARTS LIST

5 - 2

P8175A

RF & ATT

DWG NO 4G206629-2

REF NO	QTY	PARTS NO	DESCRIPTION
C 0001	1	ECQP1152FZ	C:FXD FLM 1500PF 1% 100V
C 0002	1	ECKF1H102KB	C:FXD CER HI-K 1000PF 10% 50V
C 0003	1	ECKF1H221KB	C:FXD CER HI-K 220PF 10% 50V
C 0004	1	ECKF1H222MD	C:FXD CER HI-K 2200PF 20% 50V
C 0005	1	ECKF1H221KB	C:FXD CER HI-K 220PF 10% 50V
C 0007	1	ECKF1H223ZF	C:FXD CER HI-K 0.022UF +80%-20% 50V
C 0008	1	ECKF1H472MD	C:FXD CER HI-K 4700PF 20% 50V
C 0009	1	ECKF1H221KB	C:FXD CER HI-K 220PF 10% 50V
C 0010	1	ECKF1H223ZF	C:FXD CER HI-K 0.022UF +80%-20% 50V
C 0011	1	ECKF1H473ZV	C:FXD CER HI-K 0.047UF +80%-20% 50V
C 0012	1	ECKF1H104ZV	C:FXD CER HI-K 0.1UF +80%-20% 50V
C 0013	1	ECKF1H222MD	C:FXD CER HI-K 2200PF 20% 50V
C 0014	1	ECCF1H150KC	C:FXD CER TC 15PF 10% 50V C
C 0015	1	ECCF1H150KC	C:FXD CER TC 15PF 10% 50V C
C 0016	1	ECCF1H220KC	C:FXD CER TC 22PF 10% 50V C
C 0017	1	ECCF1H471K	C:FXD CER TC 470PF 10% 50V
C 0018	1	ECEA1CU470	C:FXD AL ELECT 47UF ±20% 16V
C 0019	1	ECKF1H222MD	C:FXD CER HI-K 2200PF 20% 50V
C 0021	1	ECCF1H470K	C:FXD CER TC 47PF 10% 50V
C 0022	1	ECKF1H223ZF	C:FXD CER HI-K 0.022UF +80%-20% 50V
C 0023	1	ECKF1H223ZF	C:FXD CER HI-K 0.022UF +80%-20% 50V
C 0024	1	ECKF1H222MD	C:FXD CER HI-K 2200PF 20% 50V
C 0025	1	ECKF1H222MD	C:FXD CER HI-K 2200PF 20% 50V
C 0026	1	ECKF1H222MD	C:FXD CER HI-K 2200PF 20% 50V
C 0027	1	ECCF1H390KC	C:FXD CER TC 39PF 10% 50V C
C 0028	1	ECCF1H121KC	C:FXD CER TC 120PF 10% 50V C
C 0029	1	ECCF1H050DC	C:FXD CER TC 5PF ±0.5PF 50V C
C 0030	1	ECEA1EN4R7S	C:FXD AL ELECT 4.7UF ±20% 25V BP
C 0031	1	ECKF1H104ZV	C:FXD CER HI-K 0.1UF +80%-20% 50V
C 0032	1	ECKF1H102KB	C:FXD CER HI-K 1000PF 10% 50V
C 0035	1	ECKF1H104ZV	C:FXD CER HI-K 0.1UF +80%-20% 50V
C 0036	1	ECQP1152FZ	C:FXD FLM 1500PF 1% 100V
C 0037	1	ECKF1H103ZF	C:FXD CER HI-K 0.01UF +80%-20% 50V
C 0038	1	ECQP1561JZ	C:FXD FLM 560PF 5% 100V
C 0046	1	ECKF1H104ZV	C:FXD CER HI-K 0.1UF +80%-20% 50V
C 0047	1	ECEA1EN4R7S	C:FXD AL ELECT 4.7UF ±20% 25V BP
C 0048	1	ECQE1473KN	C:FXD FLM 0.047UF 10% 100V
C 0049	1	ECEA1EN4R7S	C:FXD AL ELECT 4.7UF ±20% 25V BP
C 0051	1	ECQE1473KN	C:FXD FLM 0.047UF 10% 100V
C 0052	1	ECEA1EN4R7S	C:FXD AL ELECT 4.7UF ±20% 25V BP
C 0054	1	ECCF1H060DC	C:FXD CER TC 6PF ±0.5PF 50V C
C 0056	1	ECEA1EN4R7S	C:FXD AL ELECT 4.7UF ±20% 25V BP
C 0058	1	ECCF1H040DC	C:FXD CER TC 4PF ±0.5PF 50V C

PARTS LIST

5 - 3

P8175A

RF & ATT

DWG NO 4G206629-2 (Cont'd)

REF NO	QTY	PARTS NO	DESCRIPTION
C 0061	1	ECKF1H472MD	C:FXD CER HI-K 4700PF 20% 50V
C 0062	1	ECKF1H472MD	C:FXD CER HI-K 4700PF 20% 50V
C 0063	1	ECKF1H472MD	C:FXD CER HI-K 4700PF 20% 50V
C 0064	1	ECKF1H104ZV	C:FXD CER HI-K 0.1UF +80%-20% 50V
C 0065	1	ECKF1H104ZV	C:FXD CER HI-K 0.1UF +80%-20% 50V
C 0067	1	ECKF1H103ZF	C:FXD CER HI-K 0.01UF +80%-20% 50V
C 0068	1	ECKF1H103ZF	C:FXD CER HI-K 0.01UF +80%-20% 50V
C 0069	1	ECKF1H103ZF	C:FXD CER HI-K 0.01UF +80%-20% 50V
C 0070	1	ECKF1H222MD	C:FXD CER HI-K 2200PF 20% 50V
C 0071	1	ECKF1H222MD	C:FXD CER HI-K 2200PF 20% 50V
C 0072	1	ECKF1H223ZF	C:FXD CER HI-K 0.022UF +80%-20% 50V
C 0081	1	ECEA0JU471	C:FXD AL ELECT 470UF ±20% 6.3V
C 0083	1	ECEA0JU471	C:FXD AL ELECT 470UF ±20% 6.3V
C 0086	1	ECKF1H104ZV	C:FXD CER HI-K 0.1UF +80%-20% 50V
C 0087	1	ECKF1H104ZV	C:FXD CER HI-K 0.1UF +80%-20% 50V
C 0091	1	ECEA1CU221	C:FXD AL ELECT 220UF ±20% 16V
C 0092	1	ECKF1H104ZV	C:FXD CER HI-K 0.1UF +80%-20% 50V
C 0093	1	ECEA1CU101	C:FXD AL ELECT 100UF ±20% 16V
C 0095	1	ECKF1H104ZV	C:FXD CER HI-K 0.1UF +80%-20% 50V
C 0097	1	ECKF1H104ZV	C:FXD CER HI-K 0.1UF +80%-20% 50V
C 0101	1	ECQP1104FZ	C:FXD FLM 0.1UF 1% 100V
C 0102	1	ECCF1H040DC	C:FXD CER TC 4PF ±0.5PF 50V C
C 0103	1	ECCF1H040DC	C:FXD CER TC 4PF ±0.5PF 50V C
C 0104	1	ECKF1H104ZV	C:FXD CER HI-K 0.1UF +80%-20% 50V
C 0105	1	ECKF1H104ZV	C:FXD CER HI-K 0.1UF +80%-20% 50V
C 0106	1	ECKF1H103ZF	C:FXD CER HI-K 0.01UF +80%-20% 50V
C 0107	1	ECKF1H102KB	C:FXD CER HI-K 1000PF 10% 50V
C 0108	1	ECKF1H103ZF	C:FXD CER HI-K 0.01UF +80%-20% 50V
C 0112	1	ECCF1H040DC	C:FXD CER TC 4PF ±0.5PF 50V C
C 0113	1	ECCF1H040DC	C:FXD CER TC 4PF ±0.5PF 50V C
C 0114	1	ECKF1H104ZV	C:FXD CER HI-K 0.1UF +80%-20% 50V
C 0115	1	ECKF1H104ZV	C:FXD CER HI-K 0.1UF +80%-20% 50V
C 0116	1	ECKF1H103ZF	C:FXD CER HI-K 0.01UF +80%-20% 50V
C 0117	1	ECKF1H221KB	C:FXD CER HI-K 220PF 10% 50V
C 0118	1	ECKF1H103ZF	C:FXD CER HI-K 0.01UF +80%-20% 50V
C 0122	1	ECCF1H040DC	C:FXD CER TC 4PF ±0.5PF 50V C
C 0123	1	ECCF1H040DC	C:FXD CER TC 4PF ±0.5PF 50V C
C 0124	1	ECKF1H104ZV	C:FXD CER HI-K 0.1UF +80%-20% 50V
C 0125	1	ECKF1H104ZV	C:FXD CER HI-K 0.1UF +80%-20% 50V
C 0126	1	ECKF1H103ZF	C:FXD CER HI-K 0.01UF +80%-20% 50V
C 0127	1	ECKF1H221KB	C:FXD CER HI-K 220PF 10% 50V
C 0128	1	ECKF1H103ZF	C:FXD CER HI-K 0.01UF +80%-20% 50V

PARTS LIST

5 - 4

P8175A

RF & ATT

DWG NO 4G206629-2 (Cont'd)

REF NO	QTY	PARTS NO	DESCRIPTION
C 0130	1	4G440501	C:FXD CER FEED-THR U 3300PF 50V
C 0131	1	4G440501	C:FXD CER FEED-THR U 3300PF 50V
C 0132	1	4G440501	C:FXD CER FEED-THR U 3300PF 50V
C 0133	1	4G440501	C:FXD CER FEED-THR U 3300PF 50V
C 0134	1	4G440501	C:FXD CER FEED-THR U 3300PF 50V
C 0135	1	4G440501	C:FXD CER FEED-THR U 3300PF 50V
C 0136	1	4G440501	C:FXD CER FEED-THR U 3300PF 50V
C 0137	1	4G440501	C:FXD CER FEED-THR U 3300PF 50V
C 0138	1	4G440501	C:FXD CER FEED-THR U 3300PF 50V
C 0139	1	4G440501	C:FXD CER FEED-THR U 3300PF 50V
C 0140	1	4G440501	C:FXD CER FEED-THR U 3300PF 50V
C 0141	1	4G440501	C:FXD CER FEED-THR U 3300PF 50V
C 0142	1	4G440501	C:FXD CER FEED-THR U 3300PF 50V
C 0143	1	4G440501	C:FXD CER FEED-THR U 3300PF 50V
C 0144	1	4G440501	C:FXD CER FEED-THR U 3300PF 50V
C 0145	1	4G440501	C:FXD CER FEED-THR U 3300PF 50V
C 0160	1	ECEA1CU101	C:FXD AL ELECT 100UF \pm 20% 16V
C 0170	1	ECCF1H100FC	C:FXD CER TC 10PF \pm 1.0PF 50V C
CR 0001	1	MA165TA	DIODE 75V 100MA
CR 0002	1	MA165TA	DIODE 75V 100MA
CR 0003	1	1SV80	DIODE:PIN 50MA 30V
CR 0004	1	1SS99	DIODE:SI 30MA 5V UHF MIXER
CR 0005	1	1SV80	DIODE:PIN 50MA 30V
CR 0006	1	MA165TA	DIODE 75V 100MA
CR 0007	1	MA165TA	DIODE 75V 100MA
CR 0008	1	MA165TA	DIODE 75V 100MA
CR 0009	1	MA165TA	DIODE 75V 100MA
CR 0010	1	MA165TA	DIODE 75V 100MA
CR 0011	1	MA165TA	DIODE 75V 100MA
CR 0012	1	MA165TA	DIODE 75V 100MA
CR 0013	1	MA56	DIODE:SI 100MA 20V
CR 0014	1	MA56	DIODE:SI 100MA 20V
CR 0015	1	MA56	DIODE:SI 100MA 20V
CR 0016	1	MA56	DIODE:SI 100MA 20V
CR 0017	1	MA56	DIODE:SI 100MA 20V
CR 0018	1	MA56	DIODE:SI 100MA 20V
CR 0021	1	MA371Q-TW-MC	DIODE:VAR CAP RANK:3-4,5-6,8-9,6-7
CR 0022	1	MA371Q-TW-MC	DIODE:VAR CAP RANK:3-4,5-6,8-9,6-7
CR 0023	1	MA371Q-TW-MC	DIODE:VAR CAP RANK:3-4,5-6,8-9,6-7
CR 0024	1	MA371Q-TW-MC	DIODE:VAR CAP RANK:3-4,5-6,8-9,6-7
CR 0028	1	MA371Q-TW-MC	DIODE:VAR CAP RANK:3-4,5-6,8-9,6-7
CR 0029	1	MA371Q-TW-MC	DIODE:VAR CAP RANK:3-4,5-6,8-9,6-7
CR 0030	1	MA371Q-TW-MC	DIODE:VAR CAP RANK:3-4,5-6,8-9,6-7

PARTS LIST

5 - 5

P8175A

RF & ATT

DWG NO 4G206629-2 (Cont'd)

REF NO	QTY	PARTS NO	DESCRIPTION	
CR 0030	1	1SV80	DIODE:PIN	50MA 30V
CR 0031	1	MA371Q-TW-MC	DIODE:VAR CAP	RANK:3-4,5-6,8-9,6-7
CR 0032	1	MA371Q-TW-MC	DIODE:VAR CAP	RANK:3-4,5-6,8-9,6-7
CR 0033	1	MA371Q-TW-MC	DIODE:VAR CAP	RANK:3-4,5-6,8-9,6-7
CR 0034	1	MA371Q-TW-MC	DIODE:VAR CAP	RANK:3-4,5-6,8-9,6-7
CR 0035	1	MA371R-TW-MC	DIODE:VAR CAP	RANK:3-4,5-6,7-8,5-6
CR 0036	1	MA371R-TW-MC	DIODE:VAR CAP	RANK:3-4,5-6,7-8,5-6
CR 0037	1	MA371R-TW-MC	DIODE:VAR CAP	RANK:3-4,5-6,7-8,5-6
CR 0038	1	MA371R-TW-MC	DIODE:VAR CAP	RANK:3-4,5-6,7-8,5-6
CR 0039	1	MA371R-TW-MC	DIODE:VAR CAP	RANK:3-4,5-6,7-8,5-6
CR 0040	1	MA371R-TW-MC	DIODE:VAR CAP	RANK:3-4,5-6,7-8,5-6
CR 0041	1	MA371R-TW-MC	DIODE:VAR CAP	RANK:3-4,5-6,7-8,5-6
CR 0042	1	MA371R-TW-MC	DIODE:VAR CAP	RANK:3-4,5-6,7-8,5-6
CR 0043	1	MA371R-TW-MC	DIODE:VAR CAP	RANK:3-4,5-6,7-8,5-6
CR 0044	1	MA371R-TW-MC	DIODE:VAR CAP	RANK:3-4,5-6,7-8,5-6
E 0001	1	3G401647-4	PC BOARD	P8175A
E 0002	1	4G401368	P8175A PC BOARD	P8175A ATT
J 0023	1	BNC057	CONNECTOR:COAX	BNC PLUG
K 0001	1	AG29372	RELAY	5V,DS
K 0002	1	AG29372	RELAY	5V,DS
K 0003	1	AG29372	RELAY	5V,DS
K 0004	1	AG29372	RELAY	5V,DS
L 0001	1	4G431323	P8177A COIL	30MHZ OSC COIL
L 0002	1	ELEMH470KA	COIL:CHOKE	47UH 10%
L 0003	1	MC117FC5.5TS	COIL:VAR SHEILD-CA	SE 5.5T
L 0004	1	ELEMH470KA	COIL:CHOKE	47UH 10%
L 0005	1	MC117FC8.5TS	COIL:VAR SHEILD-CA	SE 8.5T
L 0006	1	ELEMH470KA	COIL:CHOKE	47UH 10%
L 0007	1	ELEHR82KA	COIL:CHOKE	0.82UH 10%
L 0008	1	4G430976-1	COIL	P8160A 10K-90M
L 0011	1	ELEH100KA	COIL;CHOKE	10UH 10%
L 0012	1	ELEH100KA	COIL;CHOKE	10UH 10%
L 0013	1	ELEH100KA	COIL;CHOKE	10UH 10%
L 0014	1	SN8S500	COIL:CHOKE	2A
L 0030	1	4G431432	COIL-R2.6-4T	P8300A
MP 0037	1	4G616592-0CB	CVR:ATTEN CASE	P8178B
MP 0038	1	4G617091-0HB	CASE:ATTEN	P8177A
MP 0039	1	4G617092-0FB	CAP:OSC CASE	P8177A
MP 0040	1	4G670059-1CB	CASE:UNIT	P8811A
MP 0042	1	4G617558-0BB	PLATE:SHIELD-1	P8190A
MP 0045	1	4G644504-0GB	HOLDER:CORD	P8178B

PARTS LIST

5 - 6

P8175A

RF & ATT

DWG NO 4G206629-2 (Cont'd)

REF NO	QTY	PARTS NO	DESCRIPTION	
MP 0098	1	4G618426-0BB	PLATE:EARTH	P8175A
MP 0501	1	4G540595-0H	PLATE:EARTH	P8177A
P ----	2	EMCKNM05D	CONNECTOR	PIN
P 0007	1	EMCM1010D65	CONNECTOR	10P L=100MM
P 0008	1	EMCM0510D65	CONNECTOR	5P L=100MM
P 0009	1	EMCM0210D65	CONNECTOR	2P L=100MM
P 0012	1	SS023	CONNECTOR:COAX	JACK 50 OHM
P 0013	1	EMCHUM0201W	CONNECTOR	LATCH HOUSING 2PIN
Q 0001	1	2SA564A-RS	TSTR:SI PNP	PC:250MW FT:80MHZ
Q 0002	1	2SB774	TSTR:SI PNP	--
Q 0003	1	2SC2671-HH	TSTR:SI NPN	PC:250MW FT:2500MHZ
Q 0004	1	2SC2671-HH	TSTR:SI NPN	PC:250MW FT:2500MHZ
Q 0005	1	2SC2671-HH	TSTR:SI NPN	PC:250MW FT:2500MHZ
Q 0006	1	2SC2671-HH	TSTR:SI NPN	PC:250MW FT:2500MHZ
Q 0007	1	2SC1215	TSTR:SI NPN	PC:200MW FT:1200MHZ
Q 0008	1	2SC1215	TSTR:SI NPN	PC:200MW FT:1200MHZ
Q 0009	1	2SC1215	TSTR:SI NPN	PC:200MW FT:1200MHZ
Q 0010	1	2SC1360	TSTR:SI NPN	PC:650MW FT:500MHZ
Q 0011	1	2SC1360	TSTR:SI NPN	PC:650MW FT:500MHZ
Q 0012	1	2SC1215	TSTR:SI NPN	PC:200MW FT:1200MHZ
Q 0013	1	2SC1215	TSTR:SI NPN	PC:200MW FT:1200MHZ
Q 0014	1	2SC828A-RS	TSTR:SI NPN	PC:250MW FT:220MHZ
Q 0015	1	2SC828A-RS	TSTR:SI NPN	PC:250MW FT:220MHZ
Q 0016	1	2SA564A-RS	TSTR:SI PNP	PC:250MW FT:80MHZ
Q 0017	1	2SD1010-S	TSTR:SI NPN	PC:400MW HFE:1000
Q 0018	1	2SD1010-S	TSTR:SI NPN	PC:400MW HFE:1000
Q 0019	1	2SD1010-S	TSTR:SI NPN	PC:400MW HFE:1000
Q 0026	1	2SC828A-RS	TSTR:SI NPN	PC:250MW FT:220MHZ
Q 0031	1	2SC3355-94	TSTR:SI NPN	PT:600MW FT:6.5GHZ
Q 0032	1	2SC3355-94	TSTR:SI NPN	PT:600MW FT:6.5GHZ
Q 0033	1	2SC2671-HH	TSTR:SI NPN	PC:250MW FT:2500MHZ
Q 0034	1	2SC828A-RS	TSTR:SI NPN	PC:250MW FT:220MHZ
Q 0035	1	2SA564A-RS	TSTR:SI PNP	PC:250MW FT:80MHZ
Q 0041	1	2SC3355-94	TSTR:SI NPN	PT:600MW FT:6.5GHZ
Q 0042	1	2SC3355-94	TSTR:SI NPN	PT:600MW FT:6.5GHZ
Q 0043	1	2SC2671-HH	TSTR:SI NPN	PC:250MW FT:2500MHZ
Q 0044	1	2SC828A-RS	TSTR:SI NPN	PC:250MW FT:220MHZ
Q 0045	1	2SA564A-RS	TSTR:SI PNP	PC:250MW FT:80MHZ
Q 0051	1	2SC3355-94	TSTR:SI NPN	PT:600MW FT:6.5GHZ
Q 0052	1	2SC3355-94	TSTR:SI NPN	PT:600MW FT:6.5GHZ
Q 0053	1	2SC2671-HH	TSTR:SI NPN	PC:250MW FT:2500MHZ
Q 0054	1	2SC828A-RS	TSTR:SI NPN	PC:250MW FT:220MHZ

PARTS LIST

5 - 7

P8175A

RF & ATT

DWG NO 4G206629-2 (Cont'd)

REF NO	QTY	PARTS NO	DESCRIPTION	
Q 0055	1	2SA564A-RS	TSTR:SI PNP	PC:250MW FT:80MHZ
Q 9985	1	2SC2671-H	TSTR:SI NPN	PC:250MW FT:2500MHZ
Q 9986	1	2SC2671-H	TSTR:SI NPN	PC:250MW FT:2500MHZ
Q 9987	1	2SC2671-H	TSTR:SI NPN	PC:250MW FT:2500MHZ
Q 9988	1	2SC2671-H	TSTR:SI NPN	PC:250MW FT:2500MHZ
Q 9989	1	2SC2671-H	TSTR:SI NPN	PC:250MW FT:2500MHZ
Q 9990	1	2SC3355	TSTR:SI NPN	PC:600MW FT:6500MHZ
Q 9991	1	2SC3355	TSTR:SI NPN	PC:600MW FT:6500MHZ
Q 9992	1	2SC2671-H	TSTR:SI NPN	PC:250MW FT:2500MHZ
Q 9993	1	2SC3355	TSTR:SI NPN	PC:600MW FT:6500MHZ
Q 9994	1	2SC3355	TSTR:SI NPN	PC:600MW FT:6500MHZ
Q 9995	1	2SC2671-H	TSTR:SI NPN	PC:250MW FT:2500MHZ
Q 9996	1	2SC3355	TSTR:SI NPN	PC:600MW FT:6500MHZ
Q 9997	1	2SC3355	TSTR:SI NPN	PC:600MW FT:6500MHZ
R 0001	1	ERDS2TJ473T	R:FXD CARBON	47K OHM 5% 1/4W
R 0002	1	ERDS2TJ154T	R:FXD CARBON	150K OHM 5% 1/4W
R 0003	1	EROS2TKF1002	R:FXD MET FLM	10K OHM 1% 1/4W
R 0004	1	EROS2TKF2001	R:FXD MET FLM	2K OHM 1% 1/4W
R 0005	1	ERDS2TJ333T	R:FXD CARBON	33K OHM 5% 1/4W
R 0006	1	ERDS2TJ331T	R:FXD CARBON	330 OHM 5% 1/4W
R 0007	1	ERDS2TJ681T	R:FXD CARBON	680 OHM 5% 1/4W
R 0008	1	EROS2TKF8451	R:FXD MET FLM	8.45K OHM 1% 1/4W
R 0009	1	ERDS2TJ392T	R:FXD CARBON	3.9K OHM 5% 1/4W
R 0010	1	ERDS2TJ223T	R:FXD CARBON	22K OHM 5% 1/4W
R 0011	1	ERDS2TJ474T	R:FXD CARBON	470K OHM 5% 1/4W
R 0012	1	ERDS2TJ100T	R:FXD CARBON	10 OHM 5% 1/4W
R 0013	1	ERDS2TJ272T	R:FXD CARBON	2.7K OHM 5% 1/4W
R 0014	1	ERDS2TJ151T	R:FXD CARBON	150 OHM 5% 1/4W
R 0015	1	ERDS2TJ271T	R:FXD CARBON	270 OHM 5% 1/4W
R 0016	1	ERDS2TJ122T	R:FXD CARBON	1.2K OHM 5% 1/4W
R 0017	1	ERDS2TJ332T	R:FXD CARBON	3.3K OHM 5% 1/4W
R 0018	1	ERDS2TJ470T	R:FXD CARBON	47 OHM 5% 1/4W
R 0019	1	ERDS2TJ272T	R:FXD CARBON	2.7K OHM 5% 1/4W
R 0020	1	ERDS2TJ470T	R:FXD CARBON	47 OHM 5% 1/4W
R 0021	1	ERDS2TJ271T	R:FXD CARBON	270 OHM 5% 1/4W
R 0022	1	ERDS2TJ471T	R:FXD CARBON	470 OHM 5% 1/4W
R 0023	1	ERDS2TJ272T	R:FXD CARBON	2.7K OHM 5% 1/4W
R 0024	1	ERDS2TJ103T	R:FXD CARBON	10K OHM 5% 1/4W
R 0025	1	ERDS2TJ470T	R:FXD CARBON	47 OHM 5% 1/4W
R 0027	1	ERDS2TJ222T	R:FXD CARBON	2.2K OHM 5% 1/4W
R 0028	1	ERDS2TJ102T	R:FXD CARBON	1K OHM 5% 1/4W
R 0029	1	ERDS2TJ392T	R:FXD CARBON	3.9K OHM 5% 1/4W

PARTS LIST

5 - 8

P8175A

RF & ATT

DWG NO 4G206629-2 (Cont'd)

REF NO	QTY	PARTS NO	DESCRIPTION		
R 0030	1	ERDS1TJ470T	47	OHM 5%	1/2W
R 0031	1	ERDS2TJ103T	R:FXD CARBON	10K	OHM 5% 1/4W
R 0032	1	ERDS2TJ472T	R:FXD CARBON	4.7K	OHM 5% 1/4W
R 0033	1	ERDS2TJ100T	R:FXD CARBON	10	OHM 5% 1/4W
R 0034	1	ERDS1TJ102T	R:FXD CARBON	1K	OHM 5% 1/2W
R 0035	1	ERDS2TJ333T	R:FXD CARBON	33K	OHM 5% 1/4W
R 0036	1	ERDS2TJ103T	R:FXD CARBON	10K	OHM 5% 1/4W
R 0037	1	ERDS2TJ152T	R:FXD CARBON	1.5K	OHM 5% 1/4W
R 0038	1	ERDS2TJ103T	R:FXD CARBON	10K	OHM 5% 1/4W
R 0039	1	ERDS2TJ472T	R:FXD CARBON	4.7K	OHM 5% 1/4W
R 0040	1	ERDS2TJ472T	R:FXD CARBON	4.7K	OHM 5% 1/4W
R 0041	1	ERDS2TJ153T	R:FXD CARBON	15K	OHM 5% 1/4W
R 0042	1	ERDS2TJ681T	R:FXD CARBON	680	OHM 5% 1/4W
R 0043	1	ERDS2TJ271T	R:FXD CARBON	270	OHM 5% 1/4W
R 0044	1	ERDS2TJ470T	R:FXD CARBON	47	OHM 5% 1/4W
R 0045	1	ERDS2TJ332T	R:FXD CARBON	3.3K	OHM 5% 1/4W
R 0046	1	ERDS2TJ332T	R:FXD CARBON	3.3K	OHM 5% 1/4W
R 0047	1	ERDS2TJ103T	R:FXD CARBON	10K	OHM 5% 1/4W
R 0048	1	ERDS2TJ473T	R:FXD CARBON	47K	OHM 5% 1/4W
R 0049	1	ERDS2TJ103T	R:FXD CARBON	10K	OHM 5% 1/4W
R 0050	1	ERDS2TJ122T	R:FXD CARBON	1.2K	OHM 5% 1/4W
R 0051	1	ERDS2TJ271T	R:FXD CARBON	270	OHM 5% 1/4W
R 0052	1	ERDS2TJ331T	R:FXD CARBON	330	OHM 5% 1/4W
R 0053	1	ERDS2TJ271T	R:FXD CARBON	270	OHM 5% 1/4W
R 0054	1	ERDS2TJ474T	R:FXD CARBON	470K	OHM 5% 1/4W
R 0055	1	EROS2TKF1211	R:FXD MET FLM	1.21K	OHM 1% 1/4W
R 0056	1	EROS2TKF4752	R:FXD MET FLM	47.5K	OHM 1% 1/4W
R 0057	1	EROS2TKF8871	R:FXD MET FLM	8.87K	OHM 1% 1/4W
R 0058	1	ERDS2TJ104T	R:FXD CARBON	100K	OHM 5% 1/4W
R 0059	1	EROS2TKF1211	R:FXD MET FLM	1.21K	OHM 1% 1/4W
R 0060	1	ERDS2TJ101T	R:FXD CARBON	100	OHM 5% 1/4W
R 0061	1	ERDS2TJ472T	R:FXD CARBON	4.7K	OHM 5% 1/4W
R 0062	1	ERDS2TJ472T	R:FXD CARBON	4.7K	OHM 5% 1/4W
R 0063	1	EROS2TKF47R5	R:FXD MET FLM	47.5	OHM 1% 1/4W
R 0064	1	EROS2TKF68R1	R:FXD MET FLM	68.1	OHM 1% 1/4W
R 0065	1	EROS2TKF1540	R:FXD MET FLM	154	OHM 1% 1/4W
R 0066	1	EROS2TKF68R1	R:FXD MET FLM	68.1	OHM 1% 1/4W
R 0067	1	ERDS2TJ122T	R:FXD CARBON	1.2K	OHM 5% 1/4W
R 0068	1	EROS2TKF17R8	R:FXD MET FLM	17.8	OHM 1% 1/4W
R 0069	1	ERDS2TJ471T	R:FXD CARBON	470	OHM 5% 1/4W
R 0071	1	EROS2TKF2150	R:FXD MET FLM	215	OHM 1% 1/4W
R 0072	1	EROS2TKF33R2	R:FXD MET FLM	33.2	OHM 1% 1/4W

PARTS LIST

5 - 9

P8175A

RF & ATT

DWG NO 4G206629-2 (Cont'd)

REF NO	QTY	PARTS NO	DESCRIPTION
R 0073	1	ERDS2TJ122T	R:FXD CARBON 1.2K OHM 5% 1/4W
R 0074	1	ERDS2TJ471T	R:FXD CARBON 470 OHM 5% 1/4W
R 0075	1	EROS2TKF1270	R:FXD MET FLM 127 OHM 1% 1/4W
R 0076	1	EROS2TKF80R6	R:FXD MET FLM 80.6 OHM 1% 1/4W
R 0077	1	ERDS2TJ122T	R:FXD CARBON 1.2K OHM 5% 1/4W
R 0078	1	ERDS2TJ471T	R:FXD CARBON 470 OHM 5% 1/4W
R 0079	1	EROS2TKF80R6	R:FXD MET FLM 80.6 OHM 1% 1/4W
R 0080	1	EROS2TKF4990	R:FXD MET FLM 499 OHM 1% 1/4W
R 0081	1	EROS2TKF52R3	R:FXD MET FLM 52.3 OHM 1% 1/4W
R 0082	1	EROS2TKF4990	R:FXD MET FLM 499 OHM 1% 1/4W
R 0083	1	EROS2TKF52R3	R:FXD MET FLM 52.3 OHM 1% 1/4W
R 0084	1	ERDS2TJ104T	R:FXD CARBON 100K OHM 5% 1/4W
R 0085	1	ERDS2TJ104T	R:FXD CARBON 100K OHM 5% 1/4W
R 0086	1	ERDS2TJ104T	R:FXD CARBON 100K OHM 5% 1/4W
R 0087	1	ERDS2TJ103T	R:FXD CARBON 10K OHM 5% 1/4W
R 0088	1	ERDS2TJ103T	R:FXD CARBON 10K OHM 5% 1/4W
R 0089	1	ERDS2TJ103T	R:FXD CARBON 10K OHM 5% 1/4W
R 0090	1	EROS2TKF4990	R:FXD MET FLM 499 OHM 1% 1/4W
R 0091	1	EROS2TKF52R3	R:FXD MET FLM 52.3 OHM 1% 1/4W
R 0092	1	EROS2TKF4990	R:FXD MET FLM 499 OHM 1% 1/4W
R 0093	1	EROS2TKF52R3	R:FXD MET FLM 52.3 OHM 1% 1/4W
R 0094	1	EROS2TKF52R3	R:FXD MET FLM 52.3 OHM 1% 1/4W
R 0095	1	EROS2TKF4990	R:FXD MET FLM 499 OHM 1% 1/4W
R 0096	1	EROS2TKF52R3	R:FXD MET FLM 52.3 OHM 1% 1/4W
R 0097	1	EROS2TKF1500	R:FXD MET FLM 150 OHM 1% 1/4W
R 0098	1	EROS2TKF37R4	R:FXD MET FLM 37.4 OHM 1% 1/4W
R 0099	1	EROS2TKF1500	R:FXD MET FLM 150 OHM 1% 1/4W
R 0100	1	EROS2TKF4990	R:FXD MET FLM 499 OHM 1% 1/4W
R 0101	1	ERDS2TJ470T	R:FXD CARBON 47 OHM 5% 1/4W
R 0102	1	ERDS2TJ562T	R:FXD CARBON 5.6K OHM 5% 1/4W
R 0103	1	ERDS2TJ470T	R:FXD CARBON 47 OHM 5% 1/4W
R 0104	1	ERDS2TJ470T	R:FXD CARBON 47 OHM 5% 1/4W
R 0105	1	ERDS2TJ103T	R:FXD CARBON 10K OHM 5% 1/4W
R 0106	1	ERDS2TJ103T	R:FXD CARBON 10K OHM 5% 1/4W
R 0107	1	ERDS2TJ101T	R:FXD CARBON 100 OHM 5% 1/4W
R 0108	1	ERDS2TJ101T	R:FXD CARBON 100 OHM 5% 1/4W
R 0109	1	ERDS2TJ682T	R:FXD CARBON 6.8K OHM 5% 1/4W
R 0111	1	ERDS2TJ332T	R:FXD CARBON 3.3K OHM 5% 1/4W
R 0112	1	ERDS2TJ103T	R:FXD CARBON 10K OHM 5% 1/4W
R 0113	1	ERDS2TJ222T	R:FXD CARBON 2.2K OHM 5% 1/4W
R 0114	1	ERDS2TJ151T	R:FXD CARBON 150 OHM 5% 1/4W
R 0115	1	ERDS2TJ103T	R:FXD CARBON 10K OHM 5% 1/4W
R 0116	1	ERDS2TJ103T	R:FXD CARBON 10K OHM 5% 1/4W

PARTS LIST

5 - 10

P8175A

RF & ATT

DWG NO 4G206629-2 (Cont'd)

REF NO	QTY	PARTS NO	DESCRIPTION		
R 0121	1	ERDS2TJ100T	R:FXD CARBON	10	OHM 5% 1/4W
R 0122	1	ERDS2TJ392T	R:FXD CARBON	3.9K	OHM 5% 1/4W
R 0123	1	ERDS2TJ180T	R:FXD CARBON	18	OHM 5% 1/4W
R 0124	1	ERDS2TJ180T	R:FXD CARBON	18	OHM 5% 1/4W
R 0125	1	ERDS2TJ103T	R:FXD CARBON	10K	OHM 5% 1/4W
R 0126	1	ERDS2TJ103T	R:FXD CARBON	10K	OHM 5% 1/4W
R 0127	1	ERDS2TJ101T	R:FXD CARBON	100	OHM 5% 1/4W
R 0128	1	ERDS2TJ101T	R:FXD CARBON	100	OHM 5% 1/4W
R 0129	1	ERDS2TJ682T	R:FXD CARBON	6.8K	OHM 5% 1/4W
R 0130	1	ERDS2TJ100T	R:FXD CARBON	10	OHM 5% 1/4W
R 0131	1	ERDS2TJ332T	R:FXD CARBON	3.3K	OHM 5% 1/4W
R 0132	1	ERDS2TJ562T	R:FXD CARBON	5.6K	OHM 5% 1/4W
R 0133	1	ERDS2TJ222T	R:FXD CARBON	2.2K	OHM 5% 1/4W
R 0134	1	ERDS1TJ101T	R:FXD CARBON	100	OHM 5% 1/2W
R 0135	1	ERDS2TJ103T	R:FXD CARBON	10K	OHM 5% 1/4W
R 0136	1	ERDS2TJ103T	R:FXD CARBON	10K	OHM 5% 1/4W
R 0141	1	ERDS2TJ220T	R:FXD CARBON	22	OHM 5% 1/4W
R 0142	1	ERDS2TJ472T	R:FXD CARBON	4.7K	OHM 5% 1/4W
R 0143	1	ERDS2TJ220T	R:FXD CARBON	22	OHM 5% 1/4W
R 0144	1	ERDS2TJ220T	R:FXD CARBON	22	OHM 5% 1/4W
R 0145	1	ERDS2TJ103T	R:FXD CARBON	10K	OHM 5% 1/4W
R 0146	1	ERDS2TJ103T	R:FXD CARBON	10K	OHM 5% 1/4W
R 0147	1	ERDS2TJ101T	R:FXD CARBON	100	OHM 5% 1/4W
R 0148	1	ERDS2TJ101T	R:FXD CARBON	100	OHM 5% 1/4W
R 0149	1	ERDS2TJ682T	R:FXD CARBON	6.8K	OHM 5% 1/4W
R 0151	1	ERDS2TJ332T	R:FXD CARBON	3.3K	OHM 5% 1/4W
R 0152	1	ERDS2TJ822T	R:FXD CARBON	8.2K	OHM 5% 1/4W
R 0153	1	ERDS2TJ222T	R:FXD CARBON	2.2K	OHM 5% 1/4W
R 0154	1	ERDS1TJ151T	R:FXD CARBON	150	OHM 5% 1/2W
R 0155	1	ERDS2TJ103T	R:FXD CARBON	10K	OHM 5% 1/4W
R 0156	1	ERDS2TJ103T	R:FXD CARBON	10K	OHM 5% 1/4W
U 0001	1	SN76514N	HAISI	DOUBLE BALANCED MIXE	
U 0002	1	TL081CP	IC:OP AMP	BI-FET	
U 0003	1	CMOS4049BP	IC:C MOS	HEX INV BUFFER/CONVERT	
Y 0001	1	91A20	CRYSTAL:QUARTZ	80MHZ (HC-43/U)	

P8175A

COUNTER ASSY

DWG NO4G206630-1

REF NO	QTY	PARTS NO	DESCRIPTION
C 0001	1	4G440501	C:FXD CER FEED-THRU 3300PF 50V
C 0002	1	4G440501	C:FXD CER FEED-THRU 3300PF 50V
C 0003	1	4G440501	C:FXD CER FEED-THRU 3300PF 50V
C 0004	1	4G440501	C:FXD CER FEED-THRU 3300PF 50V
C 0006	1	4G440501	C:FXD CER FEED-THRU 3300PF 50V
C 0007	1	4G440501	C:FXD CER FEED-THRU 3300PF 50V
C 0008	1	4G440501	C:FXD CER FEED-THRU 3300PF 50V
C 0009	1	4G440501	C:FXD CER FEED-THRU 3300PF 50V
C 0011	1	4G440501	C:FXD CER FEED-THRU 3300PF 50V
C 0012	1	4G440501	C:FXD CER FEED-THRU 3300PF 50V
C 0013	1	4G440501	C:FXD CER FEED-THRU 3300PF 50V
C 0014	1	4G440501	C:FXD CER FEED-THRU 3300PF 50V
C 0016	1	4G440501	C:FXD CER FEED-THRU 3300PF 50V
C 0017	1	4G440501	C:FXD CER FEED-THRU 3300PF 50V
C 0018	1	4G440501	C:FXD CER FEED-THRU 3300PF 50V
C 0019	1	4G440501	C:FXD CER FEED-THRU 3300PF 50V
C 0021	1	4G440501	C:FXD CER FEED-THRU 3300PF 50V
C 0022	1	4G440501	C:FXD CER FEED-THRU 3300PF 50V
C 0023	1	4G440501	C:FXD CER FEED-THRU 3300PF 50V
C 0024	1	4G440501	C:FXD CER FEED-THRU 3300PF 50V
C 0026	1	4G440501	C:FXD CER FEED-THRU 3300PF 50V
C 0027	1	4G440501	C:FXD CER FEED-THRU 3300PF 50V
C 0028	1	ECCF1H020C	C:FXD CER TC 2PF ± 0.25 PF 50V
C 0029	1	ECKF1H472MD	C:FXD CER HI-K 4700PF 20% 50V
C 0031	1	ECKF1H472MD	C:FXD CER HI-K 4700PF 20% 50V
C 0032	1	ECKF1H103ZF	C:FXD CER HI-K 0.01UF +80%-20% 50V
C 0034	1	ECKF1H103ZF	C:FXD CER HI-K 0.01UF +80%-20% 50V
C 0036	1	ECEA1HN010S	C:FXD AL ELECT 1UF ± 20 % 50V BP
C 0037	1	ECKF1H104ZV	C:FXD CER HI-K 0.1UF +80%-20% 50V
C 0038	1	ECQE1475JN	C:FXD FLM 4.7UF 5% 100V
C 0039	1	ECEA1AU101	C:FXD AL ELECT 100UF ± 20 % 10V
C 0041	1	4G440501	C:FXD CER FEED-THR U 3300PF 50V
C 0042	1	ECKF1H103ZF	C:FXD CER HI-K 0.01UF +80%-20% 50V
C 0043	1	ECKF1H103ZF	C:FXD CER HI-K 0.01UF +80%-20% 50V
C 0044	1	ECKF1H103ZF	C:FXD CER HI-K 0.01UF +80%-20% 50V
C 0045	1	ECKF1H103ZF	C:FXD CER HI-K 0.01UF +80%-20% 50V
C 0046	1	ECKF1H103ZF	C:FXD CER HI-K 0.01UF +80%-20% 50V
C 0047	1	ECKF1H103ZF	C:FXD CER HI-K 0.01UF +80%-20% 50V
C 0048	1	ECKF1H103ZF	C:FXD CER HI-K 0.01UF +80%-20% 50V
C 0057	1	ECCF1H330K	C:FXD CER TC 33PF 10% 50V
C 0058	1	ECCF1H150KC	C:FXD CER TC 15PF 10% 50V C
C 0059	1	ECCF1H221KC	C:FXD CER TC 220PF 10% 50V C

PARTS LIST

5 - 12

P8175A

COUNTER ASSY

DWG NO4G206630-1 (Cont'd)

REF NO	QTY	PARTS NO	DESCRIPTION
C 0061	1	ECV1ZW10X40	C:VAR CER 12PF -2.8PF 250V
C 0062	1	ECCF1H221KC	C:FXD CER TC 220PF 10% 50V C
C 0063	1	4G440501	C:FXD CER FEED-THR U 3300PF 50V
C 0064	1	4G440501	C:FXD CER FEED-THR U 3300PF 50V
C 0066	1	4G440501	C:FXD CER FEED-THR U 3300PF 50V
C 0067	1	4G440501	C:FXD CER FEED-THR U 3300PF 50V
C 0071	1	ECEA1HN010S	C:FXD AL ELECT 1UF ±20% 50V BP
C 0072	1	ECKF1H104ZV	C:FXD CER HI-K 0.1UF +80%-20% 50V
C 0073	1	ECKF1H104ZV	C:FXD CER HI-K 0.1UF +80%-20% 50V
C 0074	1	ECKF1H104ZV	C:FXD CER HI-K 0.1UF +80%-20% 50V
C 0075	1	ECKF1H104ZV	C:FXD CER HI-K 0.1UF +80%-20% 50V
C 0076	1	ECEA1CU471	C:FXD AL ELECT 470UF ±20% 16V
C 0077	1	ECEA1CU471	C:FXD AL ELECT 470UF ±20% 16V
C 0081	1	ECKF1H104ZV	C:FXD CER HI-K 0.1UF +80%-20% 50V
C 0082	1	ECKF1H104ZV	C:FXD CER HI-K 0.1UF +80%-20% 50V
C 0083	1	ECKF1H104ZV	C:FXD CER HI-K 0.1UF +80%-20% 50V
C 0084	1	ECEA1CU471	C:FXD AL ELECT 470UF ±20% 16V
C 0085	1	ECEA1CU471	C:FXD AL ELECT 470UF ±20% 16V
C 0086	1	ECEA1AU101	C:FXD AL ELECT 100UF ±20% 10V
C 0097	1	ECCF1H060DC	C:FXD CER TC 6PF ±0.5PF 50V C
C 0098	1	SA055F104ZB2	C:FXD CER AXIAL 0.1UF +80% -20% 50V
C 0099	1	ECKF1H103ZF	C:FXD CER HI-K 0.01UF +80%-20% 50V
E ----	1	3G401260-1	PCB,COUNTER P8177A
J 0012	1	SS007	CONNECTOR:COAX PLUG 50 OHM
L 0001	1	ELEHR82MA	COIL:CHOKE 0.82UH 20%
L 0002	1	ELEH221KA	COIL:CHOKE 220UH 10%
L 0003	1	ELEH221KA	COIL:CHOKE 220UH 10%
L 0004	1	SN8S500	COIL:CHOKE 2A
L 0005	1	SN8S500	COIL:CHOKE 2A
MP ----	1	4G635572-0L	LBL:MOS CAUTION STD
MP 0041	1	4G670059-1CB	CASE:UNIT P8811A
MP 0043	1	4G618394-0FB	CVR:COUNT CASE P8175A
MP 0044	1	4G618395-0BB	ANGLE:PCB P8175A
MP 0093	1	4G644504-0GB	HOLDER:CORD P8178B
MP 0094	1	4G616862-0FB	CAP:COUNTER-1 P8179B
MP 0095	1	4G650546-0NB	MESH:SHIELD P8175A
P ----	1	EMCHUM0201W	CONNECTOR LATCH HOUSING 2PIN
P 0004	1	EMCM1010D65	CONNECTOR 10P L=100MM
P 0005	1	EMCM1010D65	CONNECTOR 10P L=100MM
P 0006	1	EMCM1010D65	CONNECTOR 10P L=100MM

P8175A

COUNTER ASSY

DWG NO4G206630-1 (Cont'd)

REF NO	QTY	PARTS NO	DESCRIPTION
Q 0001	1	2SC1215	TSTR:SI NPN PC:200MW FT:1200MHZ
Q 0002	1	2SC1215	TSTR:SI NPN PC:200MW FT:1200MHZ
Q 0003	1	2SC1215	TSTR:SI NPN PC:200MW FT:1200MHZ
Q 0004	1	2SC828A-RS	TSTR:SI NPN PC:250MW FT:220MHZ
Q 0005	1	2SC828A-RS	TSTR:SI NPN PC:250MW FT:220MHZ
R 0001	1	ERDS2TJ561T	R:FXD CARBON 560 OHM 5% 1/4W
R 0002	1	ERDS2TJ561T	R:FXD CARBON 560 OHM 5% 1/4W
R 0003	1	ERDS2TJ561T	R:FXD CARBON 560 OHM 5% 1/4W
R 0004	1	ERDS2TJ561T	R:FXD CARBON 560 OHM 5% 1/4W
R 0005	1	ERDS2TJ561T	R:FXD CARBON 560 OHM 5% 1/4W
R 0006	1	ERDS2TJ561T	R:FXD CARBON 560 OHM 5% 1/4W
R 0007	1	ERDS2TJ561T	R:FXD CARBON 560 OHM 5% 1/4W
R 0008	1	ERDS2TJ561T	R:FXD CARBON 560 OHM 5% 1/4W
R 0009	1	ERDS2TJ561T	R:FXD CARBON 560 OHM 5% 1/4W
R 0010	1	ERDS2TJ561T	R:FXD CARBON 560 OHM 5% 1/4W
R 0011	1	ERDS2TJ561T	R:FXD CARBON 560 OHM 5% 1/4W
R 0012	1	ERDS2TJ561T	R:FXD CARBON 560 OHM 5% 1/4W
R 0013	1	ERDS2TJ561T	R:FXD CARBON 560 OHM 5% 1/4W
R 0014	1	ERDS2TJ561T	R:FXD CARBON 560 OHM 5% 1/4W
R 0015	1	ERDS2TJ561T	R:FXD CARBON 560 OHM 5% 1/4W
R 0016	1	ERDS2TJ561T	R:FXD CARBON 560 OHM 5% 1/4W
R 0017	1	ERDS2TJ561T	R:FXD CARBON 560 OHM 5% 1/4W
R 0018	1	ERDS2TJ561T	R:FXD CARBON 560 OHM 5% 1/4W
R 0019	1	ERDS2TJ561T	R:FXD CARBON 560 OHM 5% 1/4W
R 0021	1	ERDS2TJ561T	R:FXD CARBON 560 OHM 5% 1/4W
R 0022	1	ERDS2TJ561T	R:FXD CARBON 560 OHM 5% 1/4W
R 0023	1	ERDS2TJ561T	R:FXD CARBON 560 OHM 5% 1/4W
R 0024	1	ERDS2TJ331T	R:FXD CARBON 330 OHM 5% 1/4W
R 0026	1	ERDS2TJ102T	R:FXD CARBON 1K OHM 5% 1/4W
R 0027	1	ERDS2TJ512T	R:FXD CARBON 5.1K OHM 5% 1/4W
R 0028	1	ERDS2TJ471T	R:FXD CARBON 470 OHM 5% 1/4W
R 0029	1	ERDS2TJ470T	R:FXD CARBON 47 OHM 5% 1/4W
R 0031	1	ERDS2TJ472T	R:FXD CARBON 4.7K OHM 5% 1/4W
R 0032	1	ERDS2TJ104T	R:FXD CARBON 100K OHM 5% 1/4W
R 0033	1	ERDS2TJ102T	R:FXD CARBON 1K OHM 5% 1/4W
R 0034	1	ERDS2TJ102T	R:FXD CARBON 1K OHM 5% 1/4W
R 0036	1	ERDS2TJ154T	R:FXD CARBON 150K OHM 5% 1/4W
R 0037	1	ERDS2TJ104T	R:FXD CARBON 100K OHM 5% 1/4W
R 0038	1	ERDS2TJ124T	R:FXD CARBON 120K OHM 5% 1/4W
R 0039	1	ERDS2TJ473T	R:FXD CARBON 47K OHM 5% 1/4W
R 0041	1	ERDS2TJ102T	R:FXD CARBON 1K OHM 5% 1/4W
R 0042	1	ERDS2TJ562T	R:FXD CARBON 5.6K OHM 5% 1/4W
R 0043	1	ERDS2TJ683T	R:FXD CARBON 68K OHM 5% 1/4W

P8175A

COUNTER ASSY

DWG NO4G206630-1 (Cont'd)

REF NO	QTY	PARTS NO	DESCRIPTION
R 0044	1	ERDS2TJ822T	R:FXD CARBON 8.2K OHM 5% 1/4W
R 0046	1	ERDS2TJ224T	R:FXD CARBON 220K OHM 5% 1/4W
R 0047	1	ERDS2TJ334T	R:FXD CARBON 330K OHM 5% 1/4W
R 0048	1	ERDS2TJ104T	R:FXD CARBON 100K OHM 5% 1/4W
R 0049	1	EROS2TKF8250	R:FXD MET FLM 825 OHM 1% 1/4W
R 0051	1	ERDS2TJ103T	R:FXD CARBON 10K OHM 5% 1/4W
R 0052	1	EROS2TKF9311	R:FXD MET FLM 9.31K OHM 1% 1/4W
R 0053	1	EROS2TKF1002	R:FXD MET FLM 10K OHM 1% 1/4W
R 0054	1	ERDS2TJ202T	R:FXD CARBON 2K OHM 5% 1/4W
R 0056	1	ERDS2TJ182T	R:FXD CARBON 1.8K OHM 5% 1/4W
R 0057	1	ERDS2TJ102T	R:FXD CARBON 1K OHM 5% 1/4W
R 0058	1	ERDS2TJ222T	R:FXD CARBON 2.2K OHM 5% 1/4W
R 0059	1	ERDS2TJ222T	R:FXD CARBON 2.2K OHM 5% 1/4W
R 0061	1	ERDS2TJ103T	R:FXD CARBON 10K OHM 5% 1/4W
R 0062	1	ERDS2TJ222T	R:FXD CARBON 2.2K OHM 5% 1/4W
R 0066	1	ERDS2TJ223T	R:FXD CARBON 22K OHM 5% 1/4W
R 0098	1	ERDS2TJ101T	R:FXD CARBON 100 OHM 5% 1/4W
R 0099	1	ERDS2TJ271T	R:FXD CARBON 270 OHM 5% 1/4W
U 0001	1	HD74LS192P	IC:TTL LS REVERS DECADE COUNT
U 0002	1	HD74LS192P	IC:TTL LS REVERS DECADE COUNT
U 0003	1	HD74LS192P	IC:TTL LS REVERS DECADE COUNT
U 0004	1	HD74LS192P	IC:TTL LS REVERS DECADE COUNT
U 0005	1	HD74LS192P	IC:TTL LS REVERS DECADE COUNT
U 0006	1	HD74LS192P	IC:TTL LS REVERS DECADE COUNT
U 0007	1	TL081CP	IC:OP AMP BI-FET
U 0008	1	TC40H000P	IC:C MOS QUAD 2-INPUT NAND GA
U 0009	1	SN74LS00N	IC:TTL LS QUAD 2-INPUT NAND GA
U 0010	1	SN74LS107AN	IC:TTL LS DUAL J-K FLIP-FLOP
U 0011	1	SN74LS00N	IC:TTL LS QUAD 2-INPUT NAND GA
U 0012	1	SP8789-DP	IC:ECL:CMOS 200MHZ PRESCALE
U 0013	1	CMOS4075BP	IC:C MOS TRIPLE 3-INPUT OR GATE
U 0014	1	UPD4066BC	IC:C MOS QUAD BILATERAL SWITC
U 0015	1	TC40H000P	IC:C MOS QUAD 2-INPUT NAND GA
U 0016	1	SN74LS107AN	IC:TTL LS DUAL J-K FLIP-FLOP
U 0017	1	SN74LS74AN	IC:TTL LS DUAL D-TYPE FLIP-FLO
U 0018	1	SN74LS00N	IC:TTL LS QUAD 2-INPUT NAND GA
U 0019	1	SN74LS93N	IC:TTL LS 4-BIT BINARY COUNTER
U 0020	1	SN74LS390N	IC:TTL LS DUAL DECADE COUNTER
U 0021	1	SN74LS390N	IC:TTL LS DUAL DECADE COUNTER
U 0025	1	AN6912	IC:LINEAR QUAD COMPARATOR
Y 0001	1	K43U16000	CRYSTAL:QUARTZ 16.000MHZ (HC-43/U)

PARTS LIST

5 - 15

P8175A 304KHZ CLK ASSY DWG NO 4G206631

REF NO	QTY	PARTS NO	DESCRIPTION
C 0001	1	ECEA1CU100	C:FXD AL ELECT 10UF ±20% 16V
C 0002	1	ECEA1CU100	C:FXD AL ELECT 10UF ±20% 16V
C 0003	1	ECCF1H221KC	C:FXD CER TC 220PF 10% 50V C
C 0004	1	ECV1ZW20X40	C:VAR CER 20.5PF -3.3PF 250V
C 0005	1	ECCF1H180KC	C:FXD CER TC 18PF 10% 50V C
C 0006	1	ECCF1H221KC	C:FXD CER TC 220PF 10% 50V C
C 0007	1	ECCF1H330KC	C:FXD CER TC 33PF 10% 50V C
C 0008	1	ECKF1H473ZV	C:FXD CER HI-K 0.047UF +80%-20% 50V
E 0001	1	3G401649	PC BOARD P8175A 304KHZ CLK
L 0001	1	ELEH470KA	COIL:CHOKE 47UH 10%
R 0001	1	ERDS2TJ222T	R:FXD CARBON 2.2K OHM 5% 1/4W
R 0002	1	ERDS2TJ222T	R:FXD CARBON 2.2K OHM 5% 1/4W
R 0003	1	ERDS2TJ102T	R:FXD CARBON 1K OHM 5% 1/4W
U 0001	1	SN74LS00N	IC:TTL LS QUAD 2-INPUT NAND GA
U 0002	1	74HC393	IC:HS-CMOS DUAL 4-BIT BINARY CO
U 0003	1	CMOS4027BP	IC:C MOS DUAL J-K M.S F-F
Y 0001	1	K43U14592	CRYSTAL:QUARTZ 14.592MHZ (HC-43/U)

PARTS LIST

5 - 16

P8175A

MODULATOR

DWG NO 4G206632-2

REF NO	QTY	PARTS NO	DESCRIPTION
C 0001	1	ECQP1102FZ	C:FXD FLM 1000PF 1% 100V
C 0002	1	ECQP1204FZ	C:FXD FLM 0.2UF 1% 100V
C 0003	1	ECEA1CU100	C:FXD AL ELECT 10UF ±20% 16V
C 0004	1	ECEA1CU100	C:FXD AL ELECT 10UF ±20% 16V
C 0005	1	ECEA0JU471	C:FXD AL ELECT 470UF ±20% 6.3V
C 0006	1	ECEA1CN470S	C:FXD AL ELECT 47UF ±20% 16V BP
C 0007	1	ECEA1CN470S	C:FXD AL ELECT 47UF ±20% 16V BP
C 0009	1	ECQV1H105JZ	C:FXD FLM 1UF 5% 50V
C 0010	1	ECQV1H105JZ	C:FXD FLM 1UF 5% 50V
C 0011	1	ECCF1H100FC	C:FXD CER TC 10PF ±1.0PF 50V C
C 0012	1	ECV1ZW06X40	C:VAR CER 8PF -2.0PF 250V
C 0013	1	ECCF1H080DC	C:FXD CER TC 8PF ±0.5PF 50V C
C 0014	1	ECCF1H100FC	C:FXD CER TC 10PF ±1.0PF 50V C
C 0015	1	ECKF1H103ZF	C:FXD CER HI-K 0.01UF +80%-20% 50V
C 0016	1	ECEA1CN470S	C:FXD AL ELECT 47UF ±20% 16V BP
C 0017	1	ECQP1471GZ	C:FXD FLM 470PF 2% 100V
C 0018	1	ECCF1H220KC	C:FXD CER TC 22PF 10% 50V C
C 0019	1	ECCF1H180KC	C:FXD CER TC 18PF 10% 50V C
C 0020	1	ECKF1H472MD	C:FXD CER HI-K 4700PF 20% 50V
C 0021	1	ECKF1H103ZF	C:FXD CER HI-K 0.01UF +80%-20% 50V
C 0022	1	ECQP1242FZ	C:FXD FLM 2400PF 1% 100V
C 0023	1	ECQP1562FZ	C:FXD FLM 5600PF 1% 100V
C 0024	1	ECQP1202FZ	C:FXD FLM 2000PF 1% 100V
C 0025	1	ECQP1512FZ	C:FXD FLM 5100PF 1% 100V
C 0026	1	ECQP1362FZ	C:FXD FLM 3600PF 1% 100V
C 0027	1	ECQP1362FZ	C:FXD FLM 3600PF 1% 100V
C 0028	1	ECQP1302FZ	C:FXD FLM 3000PF 1% 100V
C 0031	1	ECEA1CU100	C:FXD AL ELECT 10UF ±20% 16V
C 0032	1	ECEA1CU100	C:FXD AL ELECT 10UF ±20% 16V
C 0033	1	ECQP1102FZ	C:FXD FLM 1000PF 1% 100V
C 0034	1	ECQP1432FZ	C:FXD FLM 4300PF 1% 100V
C 0035	1	ECQP1303FZ	C:FXD FLM 0.03UF 1% 100V
C 0036	1	ECQP1101JZ	C:FXD FLM 100PF 5% 100V
C 0037	1	ECQP1103FZ	C:FXD FLM 0.01UF 1% 100V
C 0038	1	ECEA1VU100	C:FXD AL ELECT 10UF ±20% 35V
C 0039	1	ECEA1CU102	C:FXD AL ELECT 1000UF ±20% 16V
C 0040	1	ECQE1475JN	C:FXD FLM 4.7UF 5% 100V
C 0051	1	ECEA1CU100	C:FXD AL ELECT 10UF ±20% 16V
C 0053	1	ECKF1H221KB	C:FXD CER HI-K 220PF 10% 50V
C 0054	1	ECKF1H221KB	C:FXD CER HI-K 220PF 10% 50V
C 0055	1	ECKF1H221KB	C:FXD CER HI-K 220PF 10% 50V
C 0056	1	ECKF1H221KB	C:FXD CER HI-K 220PF 10% 50V
C 0057	1	ECKF1H221KB	C:FXD CER HI-K 220PF 10% 50V

P8175A

MODULATOR

DWG NO 4G206632-2 (Cont'd)

REF NO	QTY	PARTS NO	DESCRIPTION
C 0058	1	ECKF1H221KB	C:FXD CER HI-K 220PF 10% 50V
C 0059	1	ECKF1H221KB	C:FXD CER HI-K 220PF 10% 50V
C 0060	1	ECKF1H221KB	C:FXD CER HI-K 220PF 10% 50V
C 0061	1	ECKF1H104ZV	C:FXD CER HI-K 0.1UF +80%-20% 50V
C 0062	1	ECKF1H104ZV	C:FXD CER HI-K 0.1UF +80%-20% 50V
C 0063	1	ECKF1H104ZV	C:FXD CER HI-K 0.1UF +80%-20% 50V
C 0064	1	ECKF1H104ZV	C:FXD CER HI-K 0.1UF +80%-20% 50V
C 0065	1	ECES1CU103K	C:FXD AL ELECT 10000UF ±20% 16V
C 0066	1	ECKF1H104ZV	C:FXD CER HI-K 0.1UF +80%-20% 50V
C 0067	1	ECKF1H104ZV	C:FXD CER HI-K 0.1UF +80%-20% 50V
C 0068	1	ECEA1CU221	C:FXD AL ELECT 220UF ±20% 16V
C 0069	1	ECKF1H104ZV	C:FXD CER HI-K 0.1UF +80%-20% 50V
C 0070	1	ECES1EU472J	C:FXD AL ELECT 4700UF ±20% 25V
C 0071	1	ECEA1CU221	C:FXD AL ELECT 220UF ±20% 16V
C 0072	1	ECKF1H104ZV	C:FXD CER HI-K 0.1UF +80%-20% 50V
C 0073	1	ECKF1H104ZV	C:FXD CER HI-K 0.1UF +80%-20% 50V
C 0074	1	ECEA1CU221	C:FXD AL ELECT 220UF ±20% 16V
C 0075	1	ECKF1H473ZV	C:FXD CER HI-K 0.047UF +80%-20% 50V
C 0076	1	ECEA1AU471	C:FXD AL ELECT 470UF ±20% 10V
C 0077	1	ECEA1AU471	C:FXD AL ELECT 470UF ±20% 10V
C 0078	1	ECEA1AU471	C:FXD AL ELECT 470UF ±20% 10V
C 0079	1	ECEA1AU471	C:FXD AL ELECT 470UF ±20% 10V
C 0080	1	ECKF1H104ZV	C:FXD CER HI-K 0.1UF +80%-20% 50V
C 0081	1	ECEA1CU100	C:FXD AL ELECT 10UF ±20% 16V
C 0082	1	ECEA1CU100	C:FXD AL ELECT 10UF ±20% 16V
C 0083	1	ECKF1H104ZV	C:FXD CER HI-K 0.1UF +80%-20% 50V
C 0084	1	ECKF1H104ZV	C:FXD CER HI-K 0.1UF +80%-20% 50V
C 0085	1	ECKF1H104ZV	C:FXD CER HI-K 0.1UF +80%-20% 50V
C 0086	1	ECEA1CU100	C:FXD AL ELECT 10UF ±20% 16V
C 0087	1	ECKF1H104ZV	C:FXD CER HI-K 0.1UF +80%-20% 50V
C 0088	1	ECKF1H104ZV	C:FXD CER HI-K 0.1UF +80%-20% 50V
C 0090	1	ECKF1H104ZV	C:FXD CER HI-K 0.1UF +80%-20% 50V
C 0091	1	ECEA0JU471	C:FXD AL ELECT 470UF ±20% 6.3V
C 0092	1	ECKF1H104ZV	C:FXD CER HI-K 0.1UF +80%-20% 50V
C 0093	1	ECKF1H104ZV	C:FXD CER HI-K 0.1UF +80%-20% 50V
C 0095	1	ECEA1CU101	C:FXD AL ELECT 100UF ±20% 16V
C 0096	1	ECCF1H390KC	C:FXD CER TC 39PF 10% 50V C
C 0097	1	ECEA1CU100	C:FXD AL ELECT 10UF ±20% 16V
CR 0002	1	MA165TA	DIODE 75V 100MA
CR 0003	1	MA165TA	DIODE 75V 100MA
CR 0005	1	1SS99	DIODE:SI 30MA 5V UHF MIXER
CR 0006	1	MA165TA	DIODE 75V 100MA

PARTS LIST

5 - 18

P8175A

MODULATOR

DWG NO 4G206632-2 (Cont'd)

REF NO	QTY	PARTS NO	DESCRIPTION	
CR 0007	1	MA165TA	DIODE	75V 100MA
CR 0011	1	S3V60	DIODE:PWR RECT	3.5A 600V
CR 0012	1	S3V60	DIODE:PWR RECT	3.5A 600V
CR 0013	1	V06B	DIODE	1.1A 100V
CR 0014	1	V06B	DIODE	1.1A 100V
CR 0017	1	MA165TA	DIODE	75V 100MA
CR 0020	1	MA165TA	DIODE	75V 100MA
CR 0021	1	MA165TA	DIODE	75V 100MA
CR 0022	1	MA165TA	DIODE	75V 100MA
CR 0023	1	MA165TA	DIODE	75V 100MA
E 0001	1	1G401414-2	PCB,MODULATOR	P8175A
△ F 0001	1	IEC500MAT	FUSE :TIME LAG	500MA 250V 20MM
△ F 0002	1	IEC500MAT	FUSE :TIME LAG	500MA 250V 20MM
J 0002	1	EMCS1052M	CONNECTOR	10P STRAIGHT
J 0003	1	EMCS1052M	CONNECTOR	10P STRAIGHT
J 0004	1	EMCS1052M	CONNECTOR	10P STRAIGHT
J 0005	1	EMCS1052M	CONNECTOR	10P STRAIGHT
J 0006	1	EMCS1052M	CONNECTOR	10P STRAIGHT
J 0007	1	EMCS1052M	CONNECTOR	10P STRAIGHT
J 0008	1	EMCS0552M	CONNECTOR PIN	5PIN STRAIGHT
J 0009	1	EMCS0252M	CONNECTOR PIN	2P STRAIGHT
J 0010	1	RC10-36R-LW	CONNECTOR : CNT	36P SOCKET
J 0011	1	EMCS1052M	CONNECTOR	10P STRAIGHT
J 0013	1	EMCS0252M	CONNECTOR PIN	2P STRAIGHT
L 0001	1	ELEH471KA	COIL:CHOKE	470UH 10%
L 0002	1	ELEH681KA	COIL:CHOKE	680UH 10%
L 0003	1	ELEH681KA	COIL:CHOKE	680UH 10%
MP 0026	1	4G618390-1WB	HEAT SINK	P8175A
MP 0027	1	4G644132-1AB	3X7.5	SPACER
MP 0028	1	4G644132-1AB	3X7.5	SPACER
Q 0001	1	2SD889	TSTR:SI NPN	PC:250MW VBEO:15V
Q 0002	1	2SA564A-RS	TSTR:SI PNP	PC:250MW FT:80MHZ
Q 0007	1	2SA777-RS	TSTR:SI PNP	PC:750MW FT:120MHZ
Q 0008	1	2SA777-RS	TSTR:SI PNP	PC:750MW FT:120MHZ
Q 0009	1	2SA777-RS	TSTR:SI PNP	PC:750MW FT:120MHZ
Q 0010	1	2SA564A-RS	TSTR:SI PNP	PC:250MW FT:80MHZ
Q 0011	1	2SA564A-RS	TSTR:SI PNP	PC:250MW FT:80MHZ
Q 0012	1	2SA564A-RS	TSTR:SI PNP	PC:250MW FT:80MHZ
Q 0013	1	2SA777-RS	TSTR:SI PNP	PC:750MW FT:120MHZ

P8175A

MODULATOR

DWG NO 4G206632-2 (Cont'd)

REF NO	QTY	PARTS NO	DESCRIPTION
Q 0014	1	2SA777-RS	TSTR:SI PNP PC:750MW FT:120MHZ
Q 0015	1	2SA1206	TSTR:SI PNP PC:600MW FT:1000MHZ
Q 0017	1	2SA564A-RS	TSTR:SI PNP PC:250MW FT:80MHZ
Q 0018	1	2SD389-PQ3	TSTR:SI NPN PC:25W FT:25MHZ
Q 0019	1	2SC828A-RS	TSTR:SI NPN PC:250MW FT:220MHZ
Q 0020	1	2SB1371-PSQ	TSTR:SI PNP PC=70W IC=6A
R 0001	1	EROS2TKF9531	R:FXD MET FLM 9.53K OHM 1% 1/4W
R 0002	1	EROS2TKF1432	R:FXD MET FLM 14.3K OHM 1% 1/4W
R 0003	1	EROS2TKF1432	R:FXD MET FLM 14.3K OHM 1% 1/4W
R 0004	1	EROS2TKF3572	R:FXD MET FLM 35.7K OHM 1% 1/4W
R 0005	1	EROS2TKF1302	R:FXD MET FLM 13K OHM 1% 1/4W
R 0006	1	ERDS2TJ334T	R:FXD CARBON 330K OHM 5% 1/4W
R 0007	1	ERDS2TJ272T	R:FXD CARBON 2.7K OHM 5% 1/4W
R 0008	1	ERDS2TJ222T	R:FXD CARBON 2.2K OHM 5% 1/4W
R 0009	1	EROS2TKF8451	R:FXD MET FLM 8.45K OHM 1% 1/4W
R 0010	1	PK502H202V0	R:VAR CERMET 2K OHM 20% 1/2W
R 0011	1	EROS2TKF5491	R:FXD MET FLM 5.49K OHM 1% 1/4W
R 0012	1	EROS2TKF1002	R:FXD MET FLM 10K OHM 1% 1/4W
R 0013	1	ERDS2TJ102T	R:FXD CARBON 1K OHM 5% 1/4W
R 0014	1	ERDS2TJ104T	R:FXD CARBON 100K OHM 5% 1/4W
R 0016	1	EROS2TKF1002	R:FXD MET FLM 10K OHM 1% 1/4W
R 0017	1	ERDS2TJ103T	R:FXD CARBON 10K OHM 5% 1/4W
R 0017	1	ERDS2TJ4R7T	R:FXD CARBON 4.7 OHM 5% 1/4W
R 0018	1	ERDS2TJ103T	R:FXD CARBON 10K OHM 5% 1/4W
R 0019	1	EROS2TKF4990	R:FXD MET FLM 499 OHM 1% 1/4W
R 0020	1	PK502H202H0	R:VAR CERMET 2K OHM 20% 1/2W
R 0021	1	EROS2TKF6981	R:FXD MET FLM 6.98K OHM 1% 1/4W
R 0022	1	EROS2TKF1210	R:FXD MET FLM 121 OHM 1% 1/4W
R 0023	1	EROS2TKF2941	R:FXD MET FLM 2.94K OHM 1% 1/4W
R 0024	1	ERDS2TJ154T	R:FXD CARBON 150K OHM 5% 1/4W
R 0025	1	ERDS2TJ154T	R:FXD CARBON 150K OHM 5% 1/4W
R 0027	1	EROS2TKF9531	R:FXD MET FLM 9.53K OHM 1% 1/4W
R 0028	1	PK502H102V0	R:VAR CERMET 1K OHM 20% 1/2W
R 0029	1	EROS2TKF1002	R:FXD MET FLM 10K OHM 1% 1/4W
R 0030	1	PK502H103V0	R:VAR CERMET 10K OHM 20% 1/2W
R 0031	1	ERDS2TJ334T	R:FXD CARBON 330K OHM 5% 1/4W
R 0032	1	ERDS2TJ243T	R:FXD CARBON 24K OHM 5% 1/4W
R 0033	1	ERDS2TJ472T	R:FXD CARBON 4.7K OHM 5% 1/4W
R 0035	1	PK502H104V0	R:VAR CERMET 100K OHM 20% 1/2W
R 0036	1	EROS2TKF3923	R:FXD MET FLM 392K OHM 1% 1/4W
R 0037	1	EROS2TKF6811	R:FXD MET FLM 6.81K OHM 1% 1/4W
R 0038	1	EROS2TKF1582	R:FXD MET FLM 15.8K OHM 1% 1/4W

PARTS LIST

5 - 20

P8175A

MODULATOR

DWG NO 4G206632-2 (Cont'd)

REF NO	QTY	PARTS NO	DESCRIPTION
R 0039	1	EROS2TKF1102	R:FXD MET FLM 11K OHM 1% 1/4W
R 0040	1	ERDS2TJ105T	R:FXD CARBON 1M OHM 5% 1/4W
R 0041	1	PK502H104H0	R:VAR CERMET 100K OHM 20% 1/2W
R 0043	1	EROS2TKF3011	R:FXD MET FLM 3.01K OHM 1% 1/4W
R 0044	1	EROS2TKF1502	R:FXD MET FLM 15K OHM 1% 1/4W
R 0045	1	ERDS2TJ472T	R:FXD CARBON 4.7K OHM 5% 1/4W
R 0046	1	ERDS2TJ472T	R:FXD CARBON 4.7K OHM 5% 1/4W
R 0050	1	PK502H102V0	R:VAR CERMET 1K OHM 20% 1/2W
R 0051	1	ERDS2TJ331T	R:FXD CARBON 330 OHM 5% 1/4W
R 0052	1	EROS2TKF1692	R:FXD MET FLM 16.9K OHM 1% 1/4W
R 0053	1	ERDS2TJ223T	R:FXD CARBON 22K OHM 5% 1/4W
R 0054	1	ERDS2TJ472T	R:FXD CARBON 4.7K OHM 5% 1/4W
R 0055	1	PK502H502V0	R:VAR CERMET 5K OHM 20% 1/2W
R 0056	1	EROS2TKF1502	R:FXD MET FLM 15K OHM 1% 1/4W
R 0057	1	EROS2TKF2670	R:FXD MET FLM 267 OHM 1% 1/4W
R 0059	1	EROS2TKF5760	R:FXD MET FLM 576 OHM 1% 1/4W
R 0061	1	EROS2TKF1243	R:FXD MET FLM 124K OHM 1% 1/4W
R 0062	1	EROS2TKF2493	R:FXD MET FLM 249K OHM 1% 1/4W
R 0063	1	EROS2TKF4993	R:FXD MET FLM 499K OHM 1% 1/4W
R 0064	1	EROS2TKF1004	R:FXD MET FLM 1M OHM 1% 1/4W
R 0065	1	PK502H202H0	R:VAR CERMET 2K OHM 20% 1/2W
R 0066	1	EROS2TKF2431	R:FXD MET FLM 2.43K OHM 1% 1/4W
R 0067	1	EROS2TKF1471	R:FXD MET FLM 1.47K OHM 1% 1/4W
R 0068	1	EROS2TKF2152	R:FXD MET FLM 21.5K OHM 1% 1/4W
R 0070	1	PK502H103H0	R:VAR CERMET 10K OHM 20% 1/2W
R 0071	1	EROS2TKF2870	R:FXD MET FLM 287 OHM 1% 1/4W
R 0072	1	EROS2TKF2871	R:FXD MET FLM 2.87K OHM 1% 1/4W
R 0073	1	EROS2TKF1582	R:FXD MET FLM 15.8K OHM 1% 1/4W
R 0074	1	EROS2TKF1182	R:FXD MET FLM 11.8K OHM 1% 1/4W
R 0075	1	EROS2TKF4751	R:FXD MET FLM 4.75K OHM 1% 1/4W
R 0076	1	EROS2TKF4751	R:FXD MET FLM 4.75K OHM 1% 1/4W
R 0077	1	ERDS2TJ332T	R:FXD CARBON 3.3K OHM 5% 1/4W
R 0078	1	EROS2TKF1002	R:FXD MET FLM 10K OHM 1% 1/4W
R 0080	1	EROS2TKF6040	R:FXD MET FLM 604 OHM 1% 1/4W
R 0081	1	ERDS2TJ104T	R:FXD CARBON 100K OHM 5% 1/4W
R 0082	1	EROS2TKF9531	R:FXD MET FLM 9.53K OHM 1% 1/4W
R 0083	1	EROS2TKF1502	R:FXD MET FLM 15K OHM 1% 1/4W
R 0084	1	PK502H203V0	R:VAR CERMET 20K OHM 20% 1/2W
R 0085	1	ERDS2TJ104T	R:FXD CARBON 100K OHM 5% 1/4W
R 0086	1	EROS2TKF1692	R:FXD MET FLM 16.9K OHM 1% 1/4W
R 0087	1	EROS2TKF2432	R:FXD MET FLM 24.3K OHM 1% 1/4W
R 0088	1	EROS2TKF5491	R:FXD MET FLM 5.49K OHM 1% 1/4W
R 0089	1	EROS2TKF1002	R:FXD MET FLM 10K OHM 1% 1/4W

P8175A

MODULATOR

DWG NO 4G206632-2 (Cont'd)

REF NO	QTY	PARTS NO	DESCRIPTION
R 0090	1	PK502H502V0	R:VAR CERMET 5K OHM 20% 1/2W
R 0091	1	EROS2TKF3321	R:FXD MET FLM 3.32K OHM 1% 1/4W
R 0092	1	PK502H202V0	R:VAR CERMET 2K OHM 20% 1/2W
R 0093	1	ERDS2TJ220T	R:FXD CARBON 22 OHM 5% 1/4W
R 0096	1	EROS2TKF2001	R:FXD MET FLM 2K OHM 1% 1/4W
R 0097	1	PK502H102V0	R:VAR CERMET 1K OHM 20% 1/2W
R 0098	1	ERDS2TJ153T	R:FXD CARBON 15K OHM 5% 1/4W
R 0100	1	ERDS2TJ273T	R:FXD CARBON 27K OHM 5% 1/4W
R 0101	1	ERDS2TJ243T	R:FXD CARBON 24K OHM 5% 1/4W
R 0102	1	ERDS2TJ273T	R:FXD CARBON 27K OHM 5% 1/4W
R 0103	1	PK502H203V0	R:VAR CERMET 20K OHM 20% 1/2W
R 0104	1	EROS2TKF1102	R:FXD MET FLM 11K OHM 1% 1/4W
R 0105	1	EROS2TKF4222	R:FXD MET FLM 42.2K OHM 1% 1/4W
R 0106	1	ERDS2TJ333T	R:FXD CARBON 33K OHM 5% 1/4W
R 0107	1	ERDS2TJ103T	R:FXD CARBON 10K OHM 5% 1/4W
R 0108	1	ERDS2TJ472T	R:FXD CARBON 4.7K OHM 5% 1/4W
R 0109	1	ERDS2TJ472T	R:FXD CARBON 4.7K OHM 5% 1/4W
R 0111	1	ERDS2TJ472T	R:FXD CARBON 4.7K OHM 5% 1/4W
R 0112	1	ERDS2TJ103T	R:FXD CARBON 10K OHM 5% 1/4W
R 0113	1	ERDS2TJ103T	R:FXD CARBON 10K OHM 5% 1/4W
R 0114	1	ERDS2TJ103T	R:FXD CARBON 10K OHM 5% 1/4W
R 0115	1	ERDS2TJ472T	R:FXD CARBON 4.7K OHM 5% 1/4W
R 0116	1	ERDS2TJ102T	R:FXD CARBON 1K OHM 5% 1/4W
R 0122	1	EXBF9E473J	R:NETWORK 47K OHM X8 5% 1/8W
R 0123	1	EXBF9E473J	R:NETWORK 47K OHM X8 5% 1/8W
R 0124	1	EXBF9E473J	R:NETWORK 47K OHM X8 5% 1/8W
R 0125	1	ERDS2TJ473T	R:FXD CARBON 47K OHM 5% 1/4W
R 0126	1	ERDS2TJ473T	R:FXD CARBON 47K OHM 5% 1/4W
R 0127	1	ERDS2TJ471T	R:FXD CARBON 470 OHM 5% 1/4W
R 0128	1	ERDS2TJ471T	R:FXD CARBON 470 OHM 5% 1/4W
R 0129	1	ERDS2TJ471T	R:FXD CARBON 470 OHM 5% 1/4W
R 0130	1	ERDS2TJ471T	R:FXD CARBON 470 OHM 5% 1/4W
R 0131	1	ERDS2TJ471T	R:FXD CARBON 470 OHM 5% 1/4W
R 0132	1	ERDS2TJ471T	R:FXD CARBON 470 OHM 5% 1/4W
R 0133	1	ERDS2TJ471T	R:FXD CARBON 470 OHM 5% 1/4W
R 0134	1	ERDS2TJ471T	R:FXD CARBON 470 OHM 5% 1/4W
R 0135	1	ERDS2TJ470T	R:FXD CARBON 47 OHM 5% 1/4W
R 0136	1	ERDS2TJ470T	R:FXD CARBON 47 OHM 5% 1/4W
R 0137	1	ERDS2TJ470T	R:FXD CARBON 47 OHM 5% 1/4W
R 0138	1	ERDS2TJ470T	R:FXD CARBON 47 OHM 5% 1/4W
R 0139	1	ERDS2TJ470T	R:FXD CARBON 47 OHM 5% 1/4W
R 0140	1	ERDS2TJ470T	R:FXD CARBON 47 OHM 5% 1/4W

PARTS LIST

5 - 22

P8175A

MODULATOR

DWG NO 4G206632-2 (Cont'd)

REF NO	QTY	PARTS NO	DESCRIPTION		
R 0141	1	ERDS2TJ470T	R:FXD CARBON	47	OHM 5% 1/4W
R 0142	1	ERDS2TJ470T	R:FXD CARBON	47	OHM 5% 1/4W
R 0143	1	ERDS2TJ471T	R:FXD CARBON	470	OHM 5% 1/4W
R 0144	1	ERDS2TJ470T	R:FXD CARBON	47	OHM 5% 1/4W
R 0145	1	ERDS2TJ471T	R:FXD CARBON	470	OHM 5% 1/4W
R 0146	1	ERDS2TJ471T	R:FXD CARBON	470	OHM 5% 1/4W
R 0147	1	ERDS2TJ471T	R:FXD CARBON	470	OHM 5% 1/4W
R 0148	1	ERDS2TJ471T	R:FXD CARBON	470	OHM 5% 1/4W
R 0149	1	ERDS2TJ471T	R:FXD CARBON	470	OHM 5% 1/4W
R 0150	1	ERDS2TJ471T	R:FXD CARBON	470	OHM 5% 1/4W
R 0151	1	ERDS2TJ471T	R:FXD CARBON	470	OHM 5% 1/4W
R 0152	1	ERDS2TJ471T	R:FXD CARBON	470	OHM 5% 1/4W
R 0153	1	ERDS2TJ471T	R:FXD CARBON	470	OHM 5% 1/4W
R 0154	1	ERDS2TJ471T	R:FXD CARBON	470	OHM 5% 1/4W
R 0155	1	ERDS2TJ102T	R:FXD CARBON	1K	OHM 5% 1/4W
R 0156	1	ERDS2TJ102T	R:FXD CARBON	1K	OHM 5% 1/4W
R 0157	1	ERDS2TJ102T	R:FXD CARBON	1K	OHM 5% 1/4W
R 0158	1	ERDS2TJ102T	R:FXD CARBON	1K	OHM 5% 1/4W
R 0159	1	ERDS2TJ102T	R:FXD CARBON	1K	OHM 5% 1/4W
R 0160	1	ERDS2TJ102T	R:FXD CARBON	1K	OHM 5% 1/4W
R 0161	1	ERDS2TJ102T	R:FXD CARBON	1K	OHM 5% 1/4W
R 0162	1	ERDS2TJ102T	R:FXD CARBON	1K	OHM 5% 1/4W
R 0163	1	ERDS2TJ102T	R:FXD CARBON	1K	OHM 5% 1/4W
R 0164	1	ERDS2TJ102T	R:FXD CARBON	1K	OHM 5% 1/4W
R 0165	1	ERDS2TJ102T	R:FXD CARBON	1K	OHM 5% 1/4W
R 0166	1	ERDS2TJ102T	R:FXD CARBON	1K	OHM 5% 1/4W
R 0167	1	ERDS2TJ102T	R:FXD CARBON	1K	OHM 5% 1/4W
R 0168	1	ERDS2TJ102T	R:FXD CARBON	1K	OHM 5% 1/4W
R 0169	1	ERDS2TJ102T	R:FXD CARBON	1K	OHM 5% 1/4W
R 0170	1	ERDS2TJ102T	R:FXD CARBON	1K	OHM 5% 1/4W
R 0171	1	ERDS2TJ102T	R:FXD CARBON	1K	OHM 5% 1/4W
R 0172	1	ERDS2TJ102T	R:FXD CARBON	1K	OHM 5% 1/4W
R 0173	1	ERDS2TJ102T	R:FXD CARBON	1K	OHM 5% 1/4W
R 0174	1	ERDS2TJ103T	R:FXD CARBON	10K	OHM 5% 1/4W
R 0175	1	ERDS2TJ912T	R:FXD CARBON	9.1K	OHM 5% 1/4W
R 0176	1	ERDS2TJ223T	R:FXD CARBON	22K	OHM 5% 1/4W
R 0177	1	ERDS2TJ913T	R:FXD CARBON	91K	OHM 5% 1/4W
R 0178	1	ERDS2TJ224T	R:FXD CARBON	220K	OHM 5% 1/4W
R 0179	1	ERDS2TJ913T	R:FXD CARBON	91K	OHM 5% 1/4W
R 0180	1	ERDS2TJ224T	R:FXD CARBON	220K	OHM 5% 1/4W
R 0181	1	ERDS2TJ224T	R:FXD CARBON	220K	OHM 5% 1/4W
R 0182	1	ERDS2TJ913T	R:FXD CARBON	91K	OHM 5% 1/4W
R 0183	1	ERDS2TJ913T	R:FXD CARBON	91K	OHM 5% 1/4W

P8175A

MODULATOR

DWG NO 4G206632-2 (Cont'd)

REF NO	QTY	PARTS NO	DESCRIPTION	
R 0184	1	ERDS2TJ224T	R:FXD CARBON	220K OHM 5% 1/4W
R 0186	1	ERDS2TJ682T	R:FXD CARBON	6.8K OHM 5% 1/4W
R 0187	1	ERDS2TJ472T	R:FXD CARBON	4.7K OHM 5% 1/4W
R 0188	1	EROS2TKF4991	R:FXD MET FLM	4.99K OHM 1% 1/4W
R 0189	1	EROS2TKF1502	R:FXD MET FLM	15K OHM 1% 1/4W
R 0200	1	ERDS2TJ102T	R:FXD CARBON	1K OHM 5% 1/4W
R 0201	1	ERDS2TJ102T	R:FXD CARBON	1K OHM 5% 1/4W
R 0202	1	ERDS2TJ102T	R:FXD CARBON	1K OHM 5% 1/4W
R 0203	1	ERDS2TJ102T	R:FXD CARBON	1K OHM 5% 1/4W
R 0205	1	EROS2TKF1002	R:FXD MET FLM	10K OHM 1% 1/4W
R 0206	1	EROS2TKF6341	R:FXD MET FLM	6.34K OHM 1% 1/4W
R 0207	1	ERDS2TJ332T	R:FXD CARBON	3.3K OHM 5% 1/4W
R 0208	1	ERDS2TJ101T	R:FXD CARBON	100 OHM 5% 1/4W
R 0209	1	ERDS2TJ473T	R:FXD CARBON	47K OHM 5% 1/4W
R 0210	1	ERDS2TJ472T	R:FXD CARBON	4.7K OHM 5% 1/4W
R 0211	1	PK502H202HO	R:VAR CERMET	2K OHM 20% 1/2W
U 0001	1	TL082CP	IC:OP AMP	BI-FET DUAL
U 0002	1	MN6631A	IC:C MOS	ANALOG SWICH
U 0003	1	NJM5532D	IC:OP AMP	DUAL LOW-NOISE
U 0004	1	AD7523JN	IC:C MOS	8BIT DA CONVERTER
U 0006	1	NJM5532D	IC:OP AMP	DUAL LOW-NOISE
U 0007	1	MN6631A	IC:C MOS	ANALOG SWICH
U 0008	1	AN6914	IC:LINEAR	DUAL COMPARATOR
U 0009	1	TC74HC123AP	IC:C MOS	DUAL RETRIGGERABLE
U 0010	1	UPD74HC4066C	HS-CMOS	QUAD BILATERAL SWITC
U 0011	1	74HC74	IC:HS-CMOS	DUAL D-TYPE F/F
U 0012	1	CMOS4030BP	IC:C MOS	QUAD EXCLUSIVE-OR GATE
U 0013	1	CMOS4030BP	IC:C MOS	QUAD EXCLUSIVE-OR GATE
U 0014	1	74HC393	IC:HS-CMOS	DUAL 4-BIT BINARY CO
U 0015	1	74HC74	IC:HS-CMOS	DUAL D-TYPE F/F
U 0016	1	NJM5534D	IC:OP AMP	LOW NOISE OP-AMP
U 0017	1	NJM5532D	IC:OP AMP	DUAL LOW-NOISE
U 0018	1	MN6631A	IC:C MOS	ANALOG SWICH
U 0019	1	TL082CP	IC:OP AMP	BI-FET DUAL
U 0020	1	NJM5534D	IC:OP AMP	LOW NOISE OP-AMP
U 0021	1	MN6631A	IC:C MOS	ANALOG SWICH
U 0022	1	UPD8255AC-5	IC:N MOS	PPI
U 0023	1	CMOS4532BP	IC:C MOS	8-BIT PRIORITY ENCODER
U 0024	1	SN74HC14N	IC:HS-CMOS	QUAD SCHMITT INVERTE
U 0025	1	74HC32	IC:HS-CMOS	QUAD 2-OR
U 0026	1	74HC04	IC:HS-CMOS	HEX INVERTER
U 0027	1	SN74HC14N	IC:HS-CMOS	QUAD SCHMITT INVERTE

PARTS LIST

5 - 24

P8175A

MODULATOR

DWG NO 4G206632-2 (Cont'd)

REF NO	QTY	PARTS NO	DESCRIPTION	
U 0028	1	74HC138	IC:HS-CMOS	3-TO-8 LINE DECODER
U 0030	1	74HC374	IC:HS-CMOS	OCTAL TRI-STATE D-F/
U 0031	1	74HC374	IC:HS-CMOS	OCTAL TRI-STATE D-F/
U 0032	1	74HC374	IC:HS-CMOS	OCTAL TRI-STATE D-F/
U 0033	1	74HC374	IC:HS-CMOS	OCTAL TRI-STATE D-F/
U 0034	1	74HC374	IC:HS-CMOS	OCTAL TRI-STATE D-F/
U 0035	1	74HC374	IC:HS-CMOS	OCTAL TRI-STATE D-F/
U 0036	1	74HC374	IC:HS-CMOS	OCTAL TRI-STATE D-F/
U 0038	1	MN6631A	IC:C MOS	ANALOG SWICH
U 0039	1	74HC04	IC:HS-CMOS	HEX INVERTER
U 0041	1	NJM2904D	IC:OP AMP	BI-FET DUAL
U 0042	1	NJM79M05F-A	IC:V RGLTR	-5V 0.5A
VR 0001	1	RD16EB3	DIODE:ZENER	16.2V 500MW
VR 0002	1	RD16EB3	DIODE:ZENER	16.2V 500MW
VR 0003	1	1SZ51	DIODE:ZENER	75MA 6V
XF 0001	1	75A007	FUSE CLIP	
XF 0002	1	75A007	FUSE CLIP	
XF 0003	1	75A007	FUSE CLIP	
XF 0004	1	75A007	FUSE CLIP	
XU 0010	1	DILB14P-8J	IC SOCKET	14-PIN DIL
XU 0022	1	DILB40P-8J	IC SOCKET	40-PIN DIL

PARTS LIST

5 - 25

P8175A

PANEL ASSY

DWG NO 4G206633-1

REF NO	QTY	PARTS NO	DESCRIPTION
C 0001	1	ECEA1CKA101	C:FXD AL ELECT 100UF ±20% 16V
C 0002	1	ECUV1H102KBM	C:FXD CHIP 1000PF 20% 50V
C 0003	1	ECUV1H102KBM	C:FXD CHIP 1000PF 20% 50V
C 0004	1	ECUV1H473ZFM	C:FXD CHIP 0.047UF +80-20% 50V
C 0005	1	ECUV1H473ZFM	C:FXD CHIP 0.047UF +80-20% 50V
C 0006	1	ECUV1H221JCM	C:FXD CHIP 220PF 5% 50V C
C 0007	1	ECUV1H221JCM	C:FXD CHIP 220PF 5% 50V C
C 0008	1	ECUV1H221JCM	C:FXD CHIP 220PF 5% 50V C
C 0009	1	ECUV1H221JCM	C:FXD CHIP 220PF 5% 50V C
C 0010	1	ECUV1H221JCM	C:FXD CHIP 220PF 5% 50V C
C 0011	1	ECUV1H221JCM	C:FXD CHIP 220PF 5% 50V C
C 0012	1	ECUV1H221JCM	C:FXD CHIP 220PF 5% 50V C
C 0013	1	ECUV1H221JCM	C:FXD CHIP 220PF 5% 50V C
C 0014	1	ECUV1H221JCM	C:FXD CHIP 220PF 5% 50V C
C 0015	1	ECUV1H221JCM	C:FXD CHIP 220PF 5% 50V C
C 0016	1	ECUV1H221JCM	C:FXD CHIP 220PF 5% 50V C
C 0017	1	ECUV1H221JCM	C:FXD CHIP 220PF 5% 50V C
C 0018	1	ECUV1H221JCM	C:FXD CHIP 220PF 5% 50V C
C 0019	1	ECUV1H221JCM	C:FXD CHIP 220PF 5% 50V C
C 0020	1	ECUV1H221JCM	C:FXD CHIP 220PF 5% 50V C
C 0021	1	ECUV1H221JCM	C:FXD CHIP 220PF 5% 50V C
C 0022	1	ECUV1H104ZFM	C:FXD CHIP 0.1UF +80%-20% 50V
C 0023	1	ECUV1H104ZFM	C:FXD CHIP 0.1UF +80%-20% 50V
C 0024	1	ECUV1H104ZFM	C:FXD CHIP 0.1UF +80%-20% 50V
C 0025	1	ECUV1H104ZFM	C:FXD CHIP 0.1UF +80%-20% 50V
C 0026	1	ECUV1H104ZFM	C:FXD CHIP 0.1UF +80%-20% 50V
C 0027	1	ECUV1H104ZFM	C:FXD CHIP 0.1UF +80%-20% 50V
C 0028	1	ECUV1H104ZFM	C:FXD CHIP 0.1UF +80%-20% 50V
C 0029	1	ECUV1H104ZFM	C:FXD CHIP 0.1UF +80%-20% 50V
C 0030	1	ECUV1H104ZFM	C:FXD CHIP 0.1UF +80%-20% 50V
C 0031	1	ECUV1H104ZFM	C:FXD CHIP 0.1UF +80%-20% 50V
C 0032	1	ECUV1H104ZFM	C:FXD CHIP 0.1UF +80%-20% 50V
C 0033	1	ECUV1H104ZFM	C:FXD CHIP 0.1UF +80%-20% 50V
C 0034	1	ECUV1H104ZFM	C:FXD CHIP 0.1UF +80%-20% 50V
C 0035	1	ECUV1H104ZFM	C:FXD CHIP 0.1UF +80%-20% 50V
CR 0001	1	MA151WK-TW	DIODE 100MA 40V DUAL
CR 0002	1	MA151WK-TW	DIODE 100MA 40V DUAL
DS ----	13	LN513GKM	LED GREEN
DS 0001	1	4G461917	LED (LN513GKM)
DS 0002	1	4G461917	LED (LN513GKM)
DS 0003	1	4G461917	LED (LN513GKM)
DS 0004	1	4G461917	LED (LN513GKM)

PARTS LIST

5 - 26

P8175A

PANEL ASSY

DWG NO 4G206633-1 (Cont'd)

REF NO	QTY	PARTS NO	DESCRIPTION	
DS 0005	1	4G461917	LED (LN513GKM)	
DS 0006	1	4G461917	LED (LN513GKM)	
DS 0007	1	4G461917	LED (LN513GKM)	
DS 0008	1	4G461917	LED (LN513GKM)	
DS 0009	1	4G461917	LED (LN513GKM)	
DS 0010	1	4G461917	LED (LN513GKM)	
DS 0011	1	4G461917	LED (LN513GKM)	
DS 0013	1	4G461917	LED (LN513GKM)	
DS 0014	1	4G461917	LED (LN513GKM)	
DS 0019	1	LN222RP	LED	RED
DS 0020	1	LN222RP	LED	RED
DS 0022	1	LN422YP	LED	AMBER
DS 0023	1	LN422YP	LED	AMBER
DS 0024	1	LN422YP	LED	AMBER
DS 0025	1	LN422YP	LED	AMBER
DS 0026	1	LN422YP	LED	AMBER
DS 0027	1	LN322GP	LED	GREEN
E 0001	1	1G401410	PC BOARD	P8175A PANEL
J 0001	1	EMCS0852M	CONNECTOR PIN	8PIN STRAIGHT
J 0011	1	EMCS1052M	CONNECTOR	10P STRAIGHT
MP 0008	1	4G644234-1AB	3X18	SPACER
MP 0009	1	4G644234-1AB	3X18	SPACER
MP 0010	1	4G644234-1AB	3X18	SPACER
MP 0011	1	4G644234-1AB	3X18	SPACER
MP 0012	1	4G644234-1AB	3X18	SPACER
MP 0013	1	4G644234-1AB	3X18	SPACER
MP 0014	1	4G644234-1AB	3X18	SPACER
MP 0015	1	4G644234-1AB	3X18	SPACER
R 0001	1	EXBM16V471J	R:NETWORK	470 OHM X8 5% 1/2W
R 0003	1	ERJ8GICYJ471V	R:FXD CHIP CARBON	470 OHM 5% 1/8W
R 0005	1	ERJ8GICYJ471V	R:FXD CHIP CARBON	470 OHM 5% 1/8W
R 0006	1	ERJ8GICYJ471V	R:FXD CHIP CARBON	470 OHM 5% 1/8W
R 0007	1	ERJ8GICYJ471V	R:FXD CHIP CARBON	470 OHM 5% 1/8W
R 0010	1	ERJ8GICYJ471V	R:FXD CHIP CARBON	470 OHM 5% 1/8W
R 0011	1	ERJ8GICYJ471V	R:FXD CHIP CARBON	470 OHM 5% 1/8W
R 0012	1	ERJ8GICYJ471V	R:FXD CHIP CARBON	470 OHM 5% 1/8W
R 0013	1	ERJ8GICYJ471V	R:FXD CHIP CARBON	470 OHM 5% 1/8W
R 0014	1	ERJ8GICYJ471V	R:FXD CHIP CARBON	470 OHM 5% 1/8W
R 0015	1	ERJ8GICYJ471V	R:FXD CHIP CARBON	470 OHM 5% 1/8W
R 0016	1	ERJ8GICYJ471V	R:FXD CHIP CARBON	470 OHM 5% 1/8W

PARTS LIST

5 - 27

P8175A

PANEL ASSY

DWG NO 4G206633-1 (Cont'd)

REF NO	QTY	PARTS NO	DESCRIPTION
R 0017	1	ERJ8GICYJ471V	R:FXD CHIP CARBON 470 OHM 5% 1/8W
R 0018	1	ERJ8GICYJ391V	R:FXD CHIP CARBON 390 OHM 5% 1/8W
R 0021	1	ERJ8GICYJ471V	R:FXD CHIP CARBON 470 OHM 5% 1/8W
R 0022	1	ERJ8GICYJ102V	R:FXD CHIP CARBON 1K OHM 5% 1/8W
R 0023	1	ERJ8GICYJ102V	R:FXD CHIP CARBON 1K OHM 5% 1/8W
R 0024	1	ERJ8GICYJ102V	R:FXD CHIP CARBON 1K OHM 5% 1/8W
R 0025	1	ERJ8GICYJ102V	R:FXD CHIP CARBON 1K OHM 5% 1/8W
R 0026	1	ERJ8GICYJ102V	R:FXD CHIP CARBON 1K OHM 5% 1/8W
R 0027	1	ERJ8GICYJ102V	R:FXD CHIP CARBON 1K OHM 5% 1/8W
R 0028	1	ERJ8GICYJ471V	R:FXD CHIP CARBON 470 OHM 5% 1/8W
R 0029	1	ERJ8GICYJ391V	R:FXD CHIP CARBON 390 OHM 5% 1/8W
R 0035	1	EXBM16V471J	R:NETWORK 470 OHM X8 5% 1/2W
R 0036	1	EXBM16V471J	R:NETWORK 470 OHM X8 5% 1/2W
R 0037	1	EXBM16V471J	R:NETWORK 470 OHM X8 5% 1/2W
R 0038	1	EXBM16V471J	R:NETWORK 470 OHM X8 5% 1/2W
R 0039	1	EXBM16V471J	R:NETWORK 470 OHM X8 5% 1/2W
R 0040	1	EXBM16V471J	R:NETWORK 470 OHM X8 5% 1/2W
R 0041	1	EXBM16V471J	R:NETWORK 470 OHM X8 5% 1/2W
R 0042	1	EXBM16V471J	R:NETWORK 470 OHM X8 5% 1/2W
R 0043	1	EXBM16V471J	R:NETWORK 470 OHM X8 5% 1/2W
R 0044	1	EXBM16V471J	R:NETWORK 470 OHM X8 5% 1/2W
R 0045	1	EXBM16V471J	R:NETWORK 470 OHM X8 5% 1/2W
R 0047	1	EXBM16V471J	R:NETWORK 470 OHM X8 5% 1/2W
R 0048	1	EXBM16V471J	R:NETWORK 470 OHM X8 5% 1/2W
S 0001	1	HL21A-LSA	PUSHB SW LED:AMBER
S 0003	1	HL21NS	PUSHB SW
S 0004	1	HL21NS	PUSHB SW
S 0005	1	HL21NS	PUSHB SW
S 0006	1	HL21A-LSA	PUSHB SW LED:AMBER
S 0007	1	HL21A-LSA	PUSHB SW LED:AMBER
S 0008	1	HL21A-LSA	PUSHB SW LED:AMBER
S 0009	1	HL21A-LSA	PUSHB SW LED:AMBER
S 0010	1	HL21A-LSA	PUSHB SW LED:AMBER
S 0012	1	HL21A-LSA	PUSHB SW LED:AMBER
S 0013	1	HL21A-LSA	PUSHB SW LED:AMBER
S 0015	1	HL21A-LSA	PUSHB SW LED:AMBER
S 0016	1	HL21A-LSA	PUSHB SW LED:AMBER
S 0019	1	HL21NS	PUSHB SW
S 0020	1	HL21NS	PUSHB SW
S 0021	1	HL21NS	PUSHB SW
S 0022	1	HL21NS	PUSHB SW
S 0023	1	HL21NS	PUSHB SW
S 0024	1	HL21NS	PUSHB SW

PARTS LIST

5 - 28

P8175A

PANEL ASSY

DWG NO 4G206633-1 (Cont'd)

REF NO	QTY	PARTS NO	DESCRIPTION
S 0025	1	HL21NS	PUSHB SW
S 0026	1	HL21NS	PUSHB SW
S 0027	1	HL21NS	PUSHB SW
S 0028	1	HL21NS	PUSHB SW
S 0029	1	HL21NS	PUSHB SW
S 0030	1	HL21NS	PUSHB SW
S 0031	1	HL21NS	PUSHB SW
S 0032	1	HL21NS	PUSHB SW
S 0033	1	HL21NS	PUSHB SW
S 0034	1	HL21NS	PUSHB SW
S 0035	1	HL21NS	PUSHB SW
S 0036	1	HL21NS	PUSHB SW
S 0037	1	HL21A-LSA	PUSHB SW LED:AMBER
S 0038	1	HL21NS	PUSHB SW
S 0039	1	HL21NS	PUSHB SW
S 0042	1	HL21NS	PUSHB SW
S 0043	1	HL21NS	PUSHB SW
S 0044	1	HL21NS	PUSHB SW
S 0045	1	HL21NS	PUSHB SW
S 0046	1	EWTXDUS2040B	R:C-P ROTARY EN
U 0001	1	MN4511BS	IC:C MOS
U 0002	1	MN4511BS	IC:C MOS BCD-7SEG LATCH/DEC/DRV
U 0003	1	MN4511BS	IC:C MOS BCD-7SEG LATCH/DEC/DRV
U 0004	1	MN4511BS	IC:C MOS BCD-7SEG LATCH/DEC/DRV
U 0005	1	MN4511BS	IC:C MOS BCD-7SEG LATCH/DEC/DRV
U 0006	1	MN4511BS	IC:C MOS BCD-7SEG LATCH/DEC/DRV
U 0007	1	MN4511BS	IC:C MOS BCD-7SEG LATCH/DEC/DRV
U 0008	1	MN4511BS	IC:C MOS BCD-7SEG LATCH/DEC/DRV
U 0009	1	MN4511BS	IC:C MOS BCD-7SEG LATCH/DEC/DRV
U 0010	1	MN4511BS	IC:C MOS BCD-7SEG LATCH/DEC/DRV
U 0011	1	MN4511BS	IC:C MOS BCD-7SEG LATCH/DEC/DRV
U 0013	1	MN4511BS	IC:C MOS BCD-7SEG LATCH/DEC/DRV
U 0014	1	MN4511BS	IC:C MOS BCD-7SEG LATCH/DEC/DRV
U 0017	1	MN74HC374S	IC:C MOS(SO) OCTAL D-TYPE F-F 3-S
U 0019	1	UPD65012G227	GATE ARRAY:CMOS PANEL INTERFACE
XDS 0019	1	KL02	LED SOCKET
XDS 0020	1	KL02	LED SOCKET
XDS 0022	1	KL02	LED SOCKET
XDS 0023	1	KL02	LED SOCKET
XDS 0024	1	KL02	LED SOCKET
XDS 0025	1	KL02	LED SOCKET
XDS 0026	1	KL02	LED SOCKET
XDS 0027	1	KL02	LED SOCKET

PARTS LIST

5 - 29

P8175A

CPU ASSY

DWG NO 4G206634-1

REF NO	QTY	PARTS NO	DESCRIPTION
BT 0001	1	BR2330-1HM	BATTERY:LITHIUM 3V 250MAH
C 0001	1	SR245F104Z	C:FXD CER MULTILAY ER 0.1UF +80%-20% 50V
C 0002	1	ECEA1AU101	C:FXD AL ELECT 100UF ±20% 10V
C 0003	1	ECEA1AU101	C:FXD AL ELECT 100UF ±20% 10V
C 0006	1	ECQV1H104JZ	C:FXD FLM 0.1UF 5% 50V
C 0007	1	ECQV1H334JZ	C:FXD FLM 0.33UF 5% 50V
C 0008	1	ECCF1H101KC	C:FXD CER TC 100PF 10% 50V C
C 0011	1	SR245F104Z	C:FXD CER MULTILAY ER 0.1UF +80%-20% 50V
C 0012	1	SR245F104Z	C:FXD CER MULTILAY ER 0.1UF +80%-20% 50V
C 0013	1	SR245F104Z	C:FXD CER MULTILAY ER 0.1UF +80%-20% 50V
C 0014	1	SR245F104Z	C:FXD CER MULTILAY ER 0.1UF +80%-20% 50V
C 0015	1	SR245F104Z	C:FXD CER MULTILAY ER 0.1UF +80%-20% 50V
C 0016	1	SR245F104Z	C:FXD CER MULTILAY ER 0.1UF +80%-20% 50V
C 0017	1	SR245F104Z	C:FXD CER MULTILAY ER 0.1UF +80%-20% 50V
C 0018	1	SR245F104Z	C:FXD CER MULTILAY ER 0.1UF +80%-20% 50V
C 0019	1	SR245F104Z	C:FXD CER MULTILAY ER 0.1UF +80%-20% 50V
C 0020	1	SR245F104Z	C:FXD CER MULTILAY ER 0.1UF +80%-20% 50V
C 0101	1	4G440501	C:FXD CER FEED-THR U 3300PF 50V
C 0102	1	4G440501	C:FXD CER FEED-THR U 3300PF 50V
C 0103	1	4G440501	C:FXD CER FEED-THR U 3300PF 50V
C 0104	1	4G440501	C:FXD CER FEED-THR U 3300PF 50V
C 0105	1	4G440501	C:FXD CER FEED-THR U 3300PF 50V
C 0106	1	4G440501	C:FXD CER FEED-THR U 3300PF 50V
C 0107	1	4G440501	C:FXD CER FEED-THR U 3300PF 50V
C 0108	1	4G440501	C:FXD CER FEED-THR U 3300PF 50V
C 0109	1	4G440501	C:FXD CER FEED-THR U 3300PF 50V
C 0110	1	4G440501	C:FXD CER FEED-THR U 3300PF 50V
C 0111	1	4G440501	C:FXD CER FEED-THR U 3300PF 50V
C 0112	1	4G440501	C:FXD CER FEED-THR U 3300PF 50V
C 0113	1	4G440501	C:FXD CER FEED-THR U 3300PF 50V
C 0114	1	4G440501	C:FXD CER FEED-THR U 3300PF 50V
C 0115	1	4G440501	C:FXD CER FEED-THR U 3300PF 50V
C 0116	1	4G440501	C:FXD CER FEED-THR U 3300PF 50V
C 0117	1	4G440501	C:FXD CER FEED-THR U 3300PF 50V
C 0118	1	4G440501	C:FXD CER FEED-THR U 3300PF 50V
C 0119	1	4G440501	C:FXD CER FEED-THR U 3300PF 50V
C 0120	1	4G440501	C:FXD CER FEED-THR U 3300PF 50V
C 0121	1	4G440501	C:FXD CER FEED-THR U 3300PF 50V
C 0122	1	4G440501	C:FXD CER FEED-THR U 3300PF 50V
C 0123	1	4G440501	C:FXD CER FEED-THR U 3300PF 50V
C 0124	1	4G440501	C:FXD CER FEED-THR U 3300PF 50V

PARTS LIST

5 - 30

P8175A

CPU ASSY

DWG NO 4G206634-1 (Cont'd)

REF NO	QTY	PARTS NO	DESCRIPTION
CR 0001	1	1SS97-2	DIODE:SI 35MA 30V
CR 0002	1	1SS97-2	DIODE:SI 35MA 30V
E 0001	1	3G401626-1	CPU P.C.B P8175A
FL 0001	1	ZFN5103A	FL:FEED-THRU
L 0002	1	SN8S500	COIL:CHOKE 2A
MP 0035	1	4G618393-0FB	COVER:CPU CASE P8175A
MP 0036	1	4G670607-0CB	CASE:CPU P8175A
MP 0097	1	4G618418-0FB	COVER:CASE P8175A
P 0001	1	EMCM0820D65	CONNECTOR L=200MM
P 0002	1	EMCM1020D65	CONNECTOR 10P L=200MM
P 0003	1	EMCM1020D65	CONNECTOR 10P L=200MM
R 0001	1	EXBF9E472J	R:NETWORK 4.7K OHM X8 5% 1/8W
R 0002	1	EXBF9E472J	R:NETWORK 4.7K OHM X8 5% 1/8W
R 0003	1	ERDS2TJ472T	R:FXD CARBON 4.7K OHM 5% 1/4W
R 0004	1	ERDS2TJ472T	R:FXD CARBON 4.7K OHM 5% 1/4W
R 0005	1	EXBF9E472J	R:NETWORK 4.7K OHM X8 5% 1/8W
R 0006	1	EXBF5E472J	R:NETWORK 4.7K OHM X4 5% 1/8W
R 0007	1	ERDS2TJ102T	R:FXD CARBON 1K OHM 5% 1/4W
R 0009	1	ERDS2TJ472T	R:FXD CARBON 4.7K OHM 5% 1/4W
R 0011	1	EXBF5E472J	R:NETWORK 4.7K OHM X4 5% 1/8W
R 0012	1	ERDS2TJ102T	R:FXD CARBON 1K OHM 5% 1/4W
R 0013	1	ERDS2TJ102T	R:FXD CARBON 1K OHM 5% 1/4W
R 0014	1	ERDS2TJ102T	R:FXD CARBON 1K OHM 5% 1/4W
R 0015	1	ERDS2TJ102T	R:FXD CARBON 1K OHM 5% 1/4W
R 0016	1	ERDS2TJ102T	R:FXD CARBON 1K OHM 5% 1/4W
R 0017	1	ERDS2TJ102T	R:FXD CARBON 1K OHM 5% 1/4W
R 0018	1	ERDS2TJ102T	R:FXD CARBON 1K OHM 5% 1/4W
R 0019	1	ERDS2TJ102T	R:FXD CARBON 1K OHM 5% 1/4W
R 0020	1	ERDS2TJ102T	R:FXD CARBON 1K OHM 5% 1/4W
R 0021	1	ERDS2TJ102T	R:FXD CARBON 1K OHM 5% 1/4W
R 0022	1	ERDS2TJ102T	R:FXD CARBON 1K OHM 5% 1/4W
R 0023	1	ERDS2TJ102T	R:FXD CARBON 1K OHM 5% 1/4W
R 0024	1	ERDS2TJ102T	R:FXD CARBON 1K OHM 5% 1/4W
R 0025	1	ERDS2TJ102T	R:FXD CARBON 1K OHM 5% 1/4W
R 0026	1	ERDS2TJ102T	R:FXD CARBON 1K OHM 5% 1/4W
R 0027	1	ERDS2TJ102T	R:FXD CARBON 1K OHM 5% 1/4W
R 0028	1	ERDS2TJ102T	R:FXD CARBON 1K OHM 5% 1/4W
R 0029	1	ERDS2TJ102T	R:FXD CARBON 1K OHM 5% 1/4W
R 0030	1	ERDS2TJ102T	R:FXD CARBON 1K OHM 5% 1/4W
R 0031	1	ERDS2TJ102T	R:FXD CARBON 1K OHM 5% 1/4W

PARTS LIST

5 - 31

P8175A

CPU ASSY

DWG NO 4G206634-1 (Cont'd)

REF NO	QTY	PARTS NO	DESCRIPTION	
U 0004	1	UPD8085AHC-2	IC:N MOS	8-BIT MICROPROCESSOR
U 0005	1	TL7705ACP	IC:LINEAR	SUPPLY VOLT. SUPERVISOR
U 0006	1	27C256D15	IC:C MOS	32K X8 150NS P-ROM
U 0007	1	H6264ALFP12L	IC:C MOS SO PAC	8192X8 SRAM 120NS
U 0009	1	74HC00S	IC:HS-CMOS SO P	QUAD 2-NAND
U 0010	1	74HC161S	IC:HS-CMOS SO P	SYNC.4-BIT COUNTER
U 0011	1	74HC139S	IC:HS-CMOS SO P	DUAL 2-TO-4 LINE DEC
U 0012	1	74HC02S	IC:HS-CMOS SO P	QUAD 2-NOR
U 0013	1	74HC573S	IC:HS-CMOS SO P	OCTAL TRI-STATE D-LA
U 0016	1	MN74HC14S	IC:HS-CMOS FLAT	QUAD SCHMITT INVERTE
U 0017	1	74HC04S	IC:HS-CMOS SO P	HEX INVERTER
U 0018	1	UPD71055GB	IC:CMOS(SO)	PERIPHERAL IF (P I/O)
XU 0006	1	DILB28P-8J	IC SOCKET	28-PIN DIL
Y 0001	1	CST8MTW	CRYSTAL:QUARTZ	8MHZ

P8175A

ROM ASSY

DWG NO 4G206635-1

REF NO	QTY	PARTS NO	DESCRIPTION	
	1	4G481151-6	PRG.	P8175A

P8175A001

ACCESSORY

DWG NO 4G206806

REF NO	QTY	PARTS NO	DESCRIPTION	
-----	1	3G111173-1	APPEARANCE	P8175A
-----	1	3G241653-4	PACKAGING	P8175A001
E 9998	1	VQ027C74W013	CABLE ASSY	
△ F 9998	1	DUH500MAT	FUSE : UL	500MA 250V 20MM
MM ----	1	MEP8175A-4	OP MANUAL	P8175A001
MP 0029	1	R76W-60743C	BAND:POWER CORD	
MP 0086	1	3G710402-0N	BAG PACKING	P9551A
MP 0087	1	4G712047-0N	BAG:PACKING	P9549A
MP 0088	1	4G712649-0N	BAG:ACCESSORY	PLAIN
MP 0089	1	4G713005-0W	LABEL-P:100X200	STD
MP 0090	1	4G713005-0W	LABEL-P:100X200	STD
MP 0091	1	4G713005-0W	LABEL-P:100X200	STD
MP 0092	1	4G713005-0W	LABEL-P:100X200	STD
△ W 9998	1	233-76B-2M	CABLE:PWR (UL,C	125V 7A,0233-0076B 2

P8175A

WIRE ASSY

DWG NO 4G207303

REF NO	QTY	PARTS NO	DESCRIPTION	
E -----	1	170782-1	TERMINAL:PLASTI	4.3 MMID AWG16-14

KP-840

PACKAGE

DWG NO 4G304211

REF NO	QTY	PARTS NO	DESCRIPTION	
A -----	1	840SN0	KP-840 PACKING	
MP ----	1	4G712168-0A	CARTON BOX	KP-840
MP ----	4	4G712169-0F	CUSHION	KP-840

PARTS LIST

5 - 33

P8175A

MECHA

DWG NO 4G304751-1

REF NO	QTY	PARTS NO	DESCRIPTION
MP ----	1	2G630715-3AH	PANEL P8175A
MP ----	1	4G634938-0L	LABEL PROTECTIVE EARTH
MP 0002	1	4G530588-1K	FILTER:LED-3 P8253A
MP 0003	1	4G530589-1K	FILTER:LED-4 P8253A
MP 0004	1	4G530607-0K	FILTER:LED P8175A
MP 0005	1	4G530607-0K	FILTER:LED P8175A
MP 0006	1	3G760637-0C	KNOB,38KN6L
MP 0007	1	2G590800-1WB	SHIELD:PCB P8175A
MP 0016	1	4G702862-0E	SHAFT:POWER P8175A
MP 0017	1	3G760595-0S	JOINT:POWER SW STD
MP 0018	1	4G616709-0LB	BAND,D6 STD
MP 0019	1	2G580898-1CH	PLATE,REAR P8175A
MP 0020	1	4G760030-0L	PLUG,HOLE P517A
MP 0021	1	4G617086-0AB	PLATE:SLIDE SW P5512A
MP 0022	1	4G760757-1G	FOOT,REAR:ROUND STD
MP 0023	1	4G760757-1G	FOOT,REAR:ROUND STD
MP 0024	1	4G760757-1G	FOOT,REAR:ROUND STD
MP 0025	1	4G760757-1G	FOOT,REAR:ROUND STD
MP 0030	1	4G618391-0BB	HOLDER:PCB-1 P8175A
MP 0031	1	4G618392-0BB	HOLDER:PCB-2 P8175A
MP 0032	1	3G614282-0WB	SHIELD:POWER P8175A
MP 0033	1	4G617480-0AB	HOLDER:TRANS P8253A
MP 0034	1	4G617480-0AB	HOLDER:TRANS P8253A
MP 0046	1	3G760635-0C	*PUSHBUTTON,7X7 GREEN:PWR
MP 0047	1	4G760089-0D	BEZEL,7X7-1.5 PUSHBUTTON
MP 0048	1	4G760760-0CA	KEYTOP,0 P8175A
MP 0049	1	4G760761-0CA	KEYTOP,1 P8175A
MP 0050	1	4G760762-0CA	KEYTOP,2 P8175A
MP 0051	1	4G760763-0CA	KEYTOP,3 P8175A
MP 0052	1	4G760764-0CA	KEYTOP,4 P8175A
MP 0053	1	4G760765-0CA	KEYTOP,5 P8175A
MP 0054	1	4G760766-0CA	KEYTOP,6 & 9 P8175A
MP 0055	1	4G760766-0CA	KEYTOP,6 & 9 P8175A
MP 0056	1	4G760767-0CA	KEYTOP,7 P8175A
MP 0057	1	4G760768-0CA	KEYTOP,8 P8175A
MP 0058	1	4G760769-0CA	KEYTOP,POINT P8175A
MP 0059	1	4G760770-0CA	KEYTOP,- P8175A
MP 0060	1	4G760771-0CA	KEYTOP,SMALL A P8175A
MP 0061	1	4G760772-0CA	KEYTOP,SMALL B P8175A
MP 0062	1	4G760773-0CA	KEYTOP,SMALL C P8175A
MP 0063	1	4G760774-0CA	KEYTOP,SMALL D P8175A
MP 0064	1	4G760775-0CA	KEYTOP,CLR P8175A

P8175A

MECHA

DWG NO 4G304751-1 (Cont'd)

REF NO	QTY	PARTS NO	DESCRIPTION	
MP 0065	1	4G760776-0CA	KEYTOP,U & D	P8175A
MP 0066	1	4G760776-0CA	KEYTOP,U & D	P8175A
MP 0067	1	4G760777-0CA	KEYTOP,L & R	P8175A
MP 0068	1	4G760777-0CA	KEYTOP,L & R	P8175A
MP 0069	1	4G760778-0CA	KEYTOP,RCL	P8175A
MP 0070	1	4G760779-0CA	KEYTOP,STO	P8175A
MP 0071	1	4G760780-0CA	KEYTOP,FREQ	P8175A
MP 0072	1	4G760781-0CA	KEYTOP,AMPTD	P8175A
MP 0073	1	4G760782-0CA	KEYTOP,FM	P8175A
MP 0074	1	4G760783-0CA	KEYTOP,AM	P8175A
MP 0075	1	3G760632-0C	KEYTOP W/LED	IVORY
MP 0076	1	3G760632-0C	KEYTOP W/LED	IVORY
MP 0077	1	3G760632-0C	KEYTOP W/LED	IVORY
MP 0078	1	3G760632-0C	KEYTOP W/LED	IVORY
MP 0079	1	3G760632-0C	KEYTOP W/LED	IVORY
MP 0080	1	3G760632-0C	KEYTOP W/LED	IVORY
MP 0081	1	3G760632-0C	KEYTOP W/LED	IVORY
MP 0082	1	3G760632-0C	KEYTOP W/LED	IVORY
MP 0083	1	3G760632-0C	KEYTOP W/LED	IVORY
MP 0084	1	3G760655-1C	*KEYTOP,W/LED	STD LIGHT GRAY
MP 0085	1	3G760656-0C	KEYTOP W/LED	BLUE
MP 0096	1	4G580732-0AF	PLATE:COVER	P8175A

CABINET

H100XW426XD250

DWG NO 4G304752

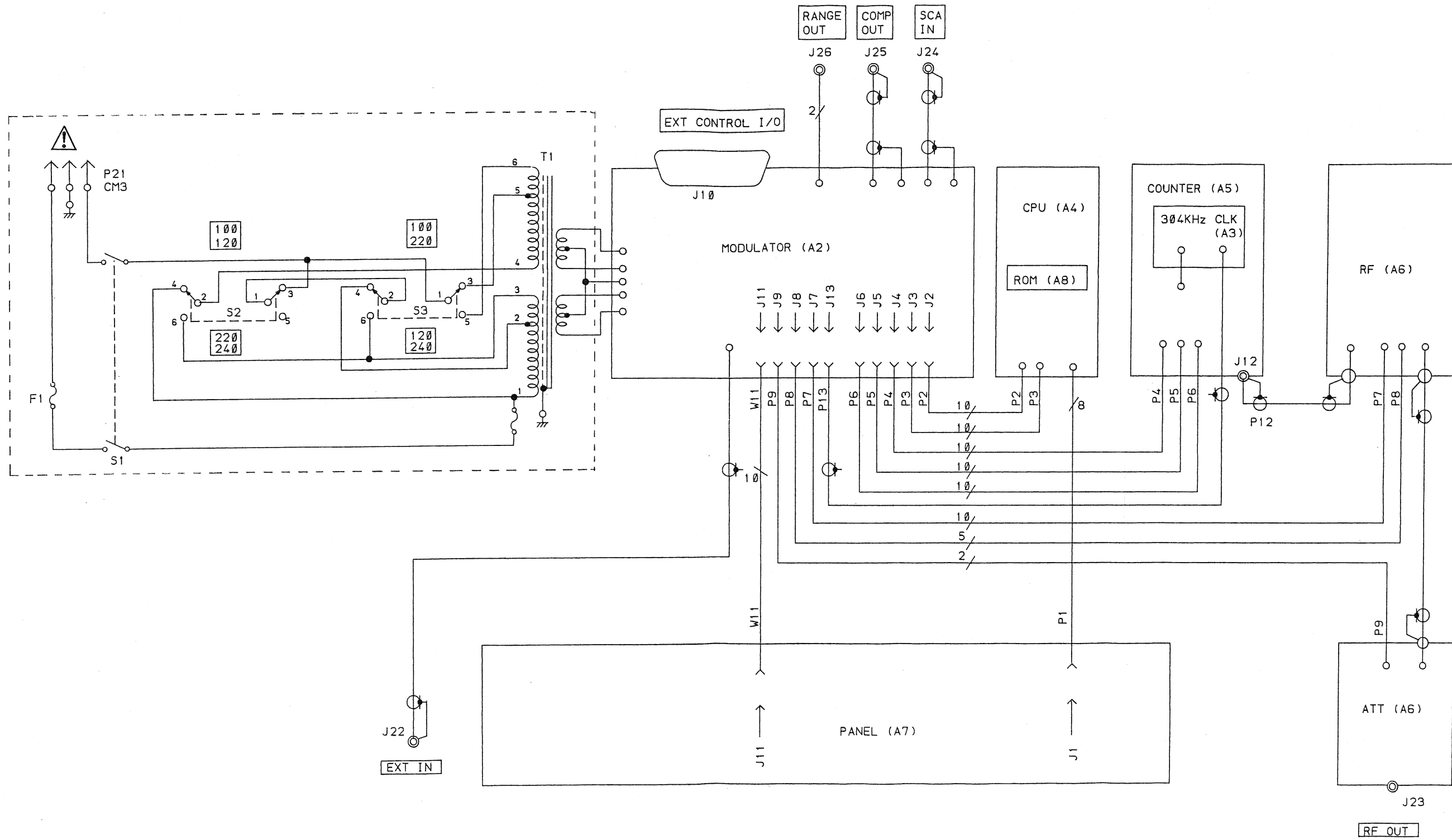
REF NO	QTY	PARTS NO	DESCRIPTION	
MP 0301	1	4G660513-0SF	*FRAME,CORNER	H100
MP 0302	1	4G660513-0SF	*FRAME,CORNER	H100
MP 0303	1	4G660513-0SF	*FRAME,CORNER	H100
MP 0304	1	4G660513-0SF	*FRAME,CORNER	H100
MP 0305	1	LSR17B-CR	FOOT:RUBBER	
MP 0306	1	LSR17B-CR	FOOT:RUBBER	
MP 0307	1	LSR17B-CR	FOOT:RUBBER	
MP 0308	1	LSR17B-CR	FOOT:RUBBER	
MP 0309	1	3G550525-0N	*STAND:FULL	
MP 0310	1	3G580970-0S	*CVR, TOP	H100XW426XD250
MP 0311	1	3G580971-0S	*CVR,BTM	H100XW426XD250
MP 0312	1	3G670672-0SF	*EXTRUSION,RH	D250
MP 0313	1	3G670673-0SF	*EXTRUSION,LH	D250
MP 0314	1	3G670661-0SF	*TRIM	H100XW426
MP 0315	1	3G670661-0SF	*TRIM	H100XW426
MP 0316	1	3G670661-0SF	*TRIM	H100XW426
MP 0317	1	3G670661-0SF	*TRIM	H100XW426
MP 0318	1	3G550527-0E	*HANDLE,SMALL	ASSY
MP 0319	1	4G550561-OFF	*HOLDER,HANDLE	SMALL
MP 0320	1	4G550561-OFF	*HOLDER,HANDLE	SMALL
MP 0321	1	4G760754-0G	FOOT,RECT-RH	P5250A
MP 0322	1	4G760754-0G	FOOT,RECT-RH	P5250A
MP 0323	1	4G760755-0G	FOOT,RECT-LH	P5250A
MP 0324	1	4G760755-0G	FOOT,RECT-LH	P5250A
MP 0325	1	4G760756-0G	*RUBBER:FOOT	RECTANGULAR
MP 0326	1	4G760756-0G	*RUBBER:FOOT	RECTANGULAR
MP 0327	1	4G760756-0G	*RUBBER:FOOT	RECTANGULAR
MP 0328	1	4G760756-0G	*RUBBER:FOOT	RECTANGULAR
MP 0329	1	4G760756-0G	*RUBBER:FOOT	RECTANGULAR
MP 0330	1	4G760756-0G	*RUBBER:FOOT	RECTANGULAR
MP 0331	1	4G760756-0G	*RUBBER:FOOT	RECTANGULAR
MP 0332	1	4G760756-0G	*RUBBER:FOOT	RECTANGULAR

VP- 8175A 6. CIRCUIT DIAGRAMS

· OVERALL	A 1
· MODULATOR ASSY	A 2, A 3
· CPU ASSY	A 4
· COUNTER ASSY	A 5
· RF & ATT ASSY	A 6
· PANEL ASSY	A 7

NOTES

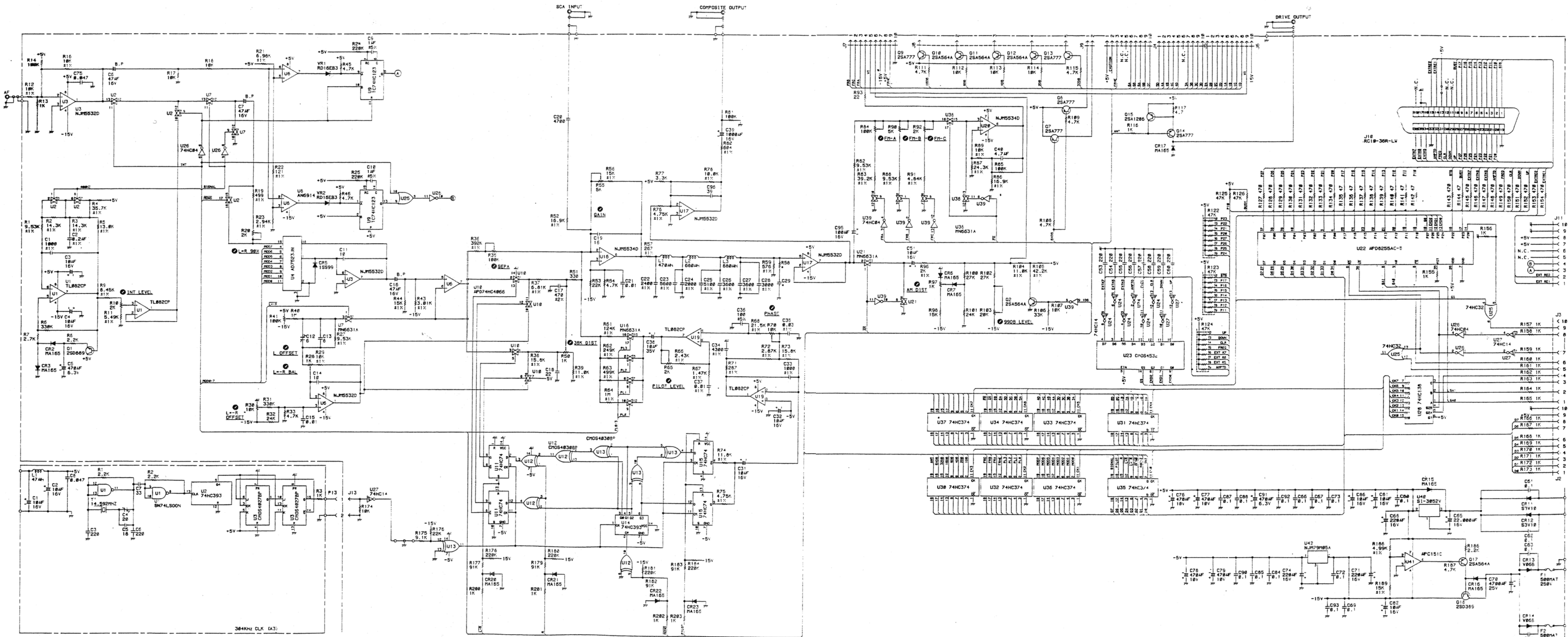
- ▷ WHEN THE CIRCUIT IS DIVIDED INTO SOME UNITS AND AN IDENTIFYING NUMBER IS ASSIGNED TO EACH UNIT, REFERENCE DESIGNATORS IN EACH CIRCUIT DIAGRAM ARE GIVEN IN ABBREVIATED FORM. PREFIX WITH EACH IDENTIFYING NUMBER FOR COMPLETE DESCRIPTION.
EXAMPLES: A1C1, A6R3.
- ▷ RESISTANCE VALUES IN OHMS AND CAPACITANCE IN PICO FARADS (FROM 1 TO 9,999) OR MICRO FARADS (FROM 0.01 TO 0.99) UNLESS OTHERWISE NOTED.
- ▷ POWER RATINGS AND RESISTANCE TOLERANCES OF FIXED RESISTORS ARE 1/4 WATTS AND $\pm 5\%$ UNLESS OTHERWISE NOTED.
- ▷ ☆ FACTORY REWORKED OR CHECKED COMPONENTS.
- ▷ * VALUE SELECTED AT FACTORY, NOMINAL VALUE SHOWN.



VP-8175A

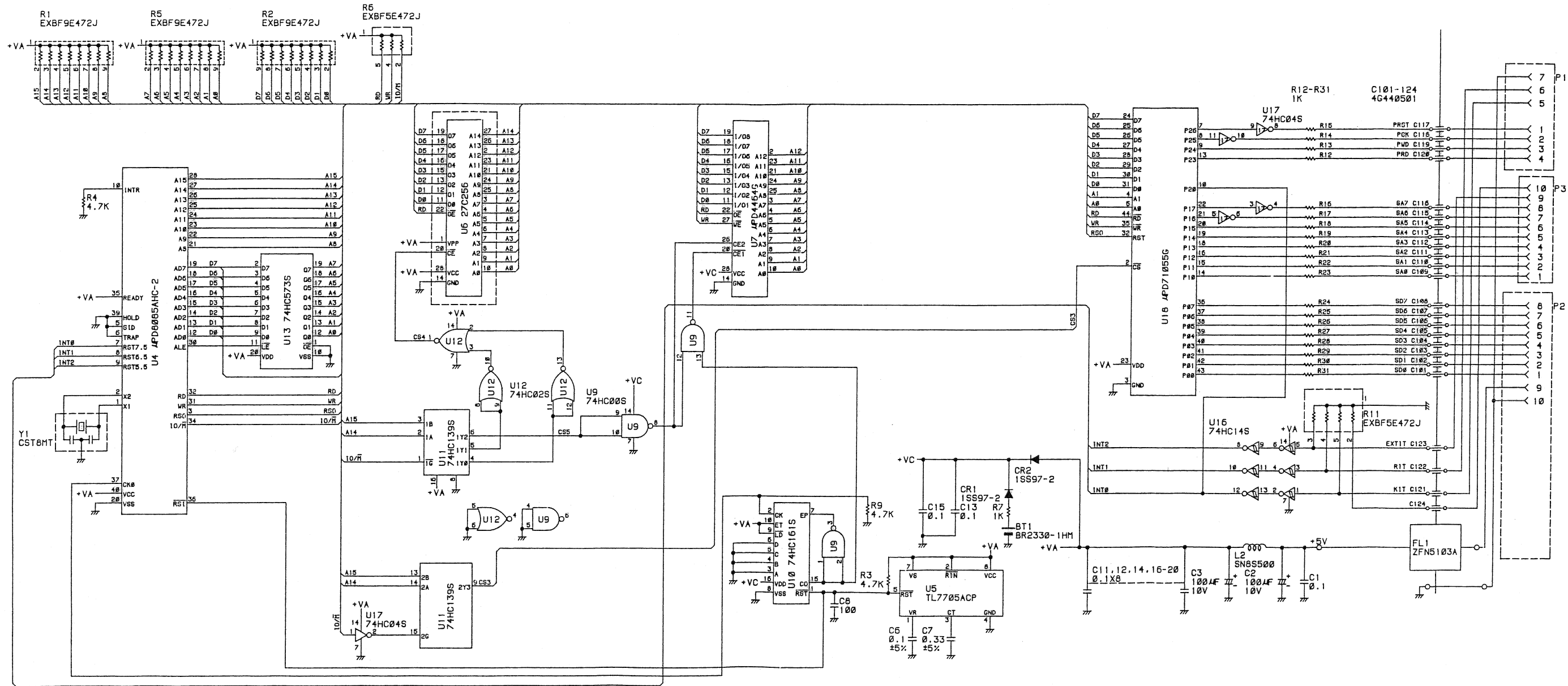
167

VP-8175A/P

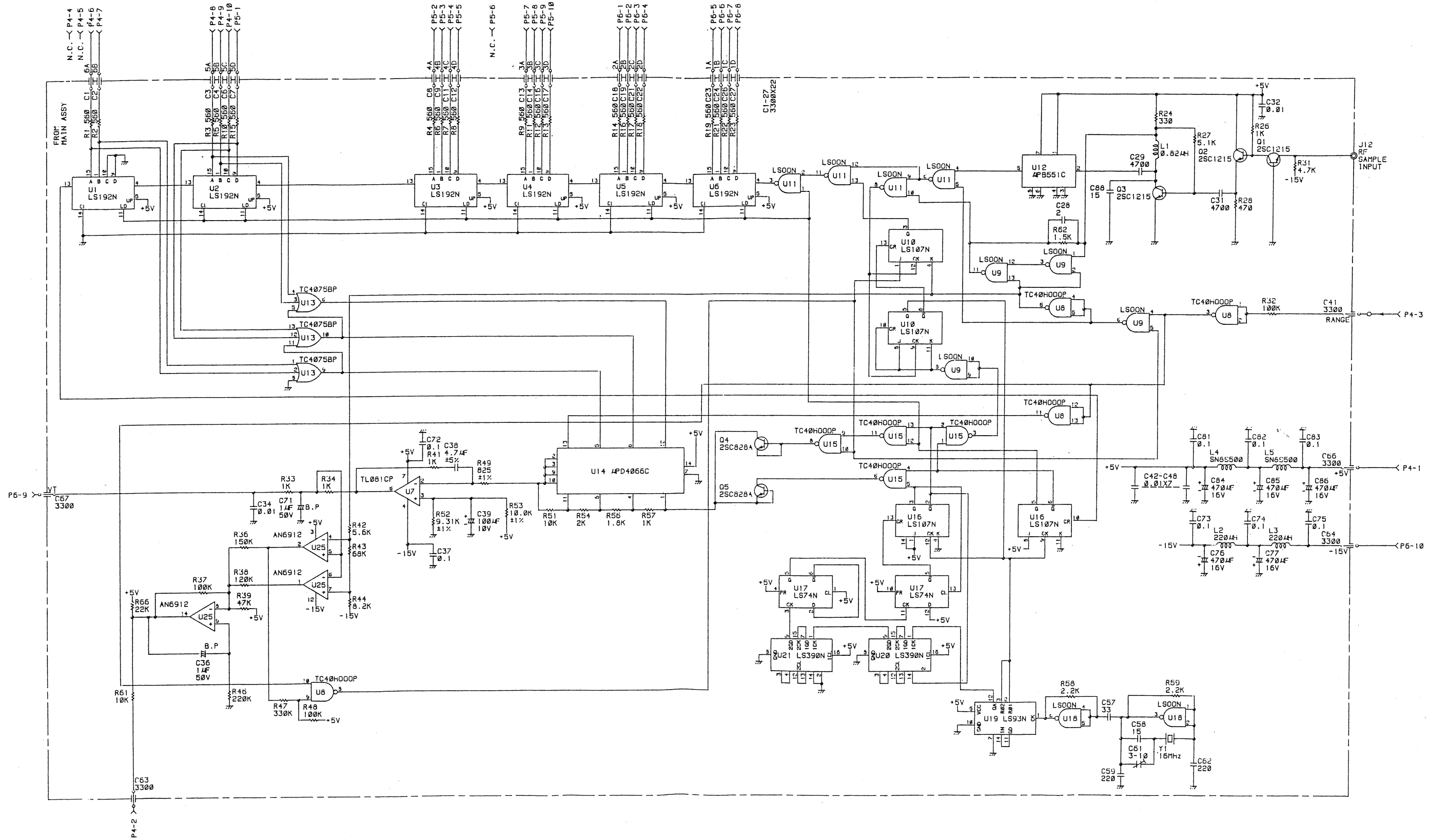


MODULATOR ASSY (A2)(A3) 2

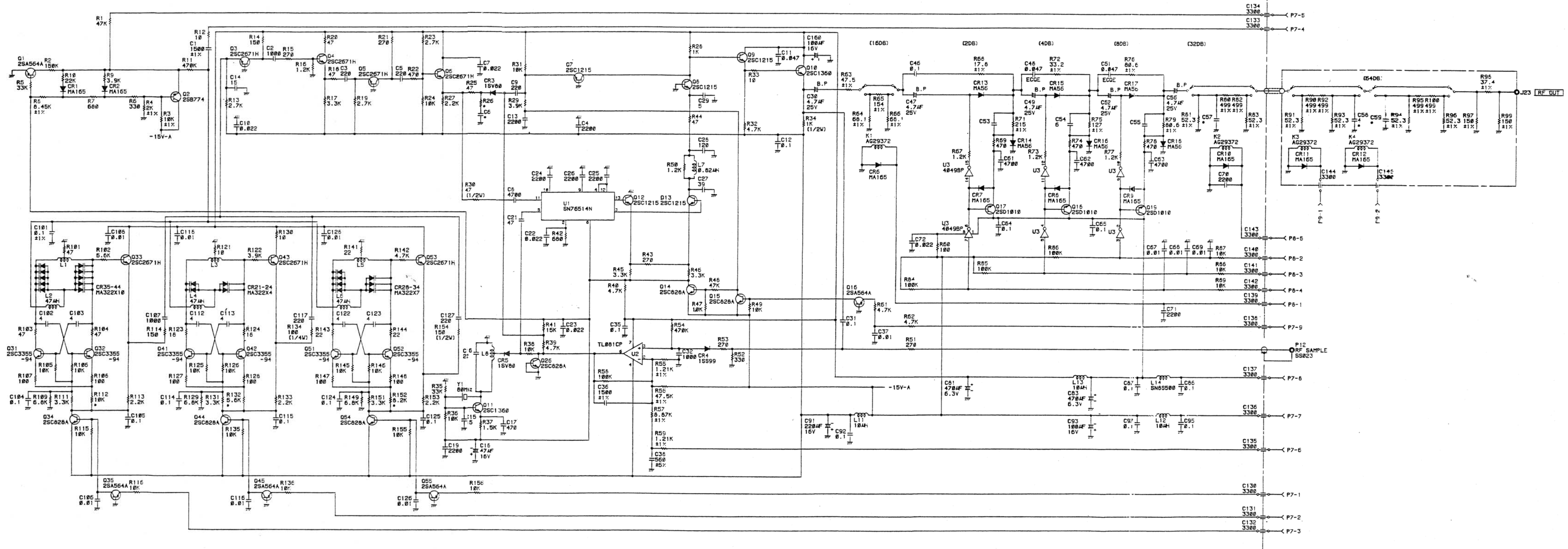
VP-8175A

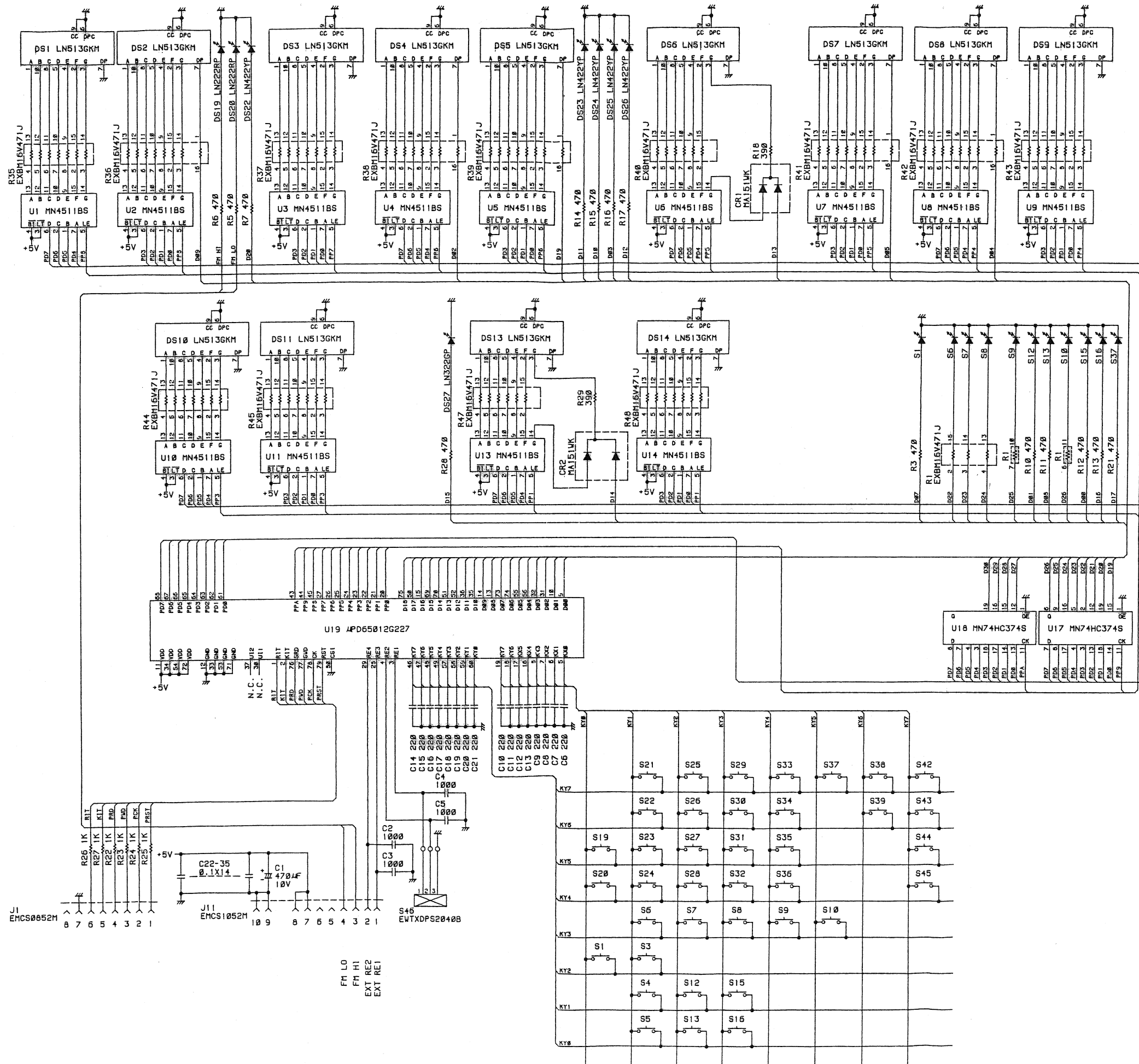


VP-8175A

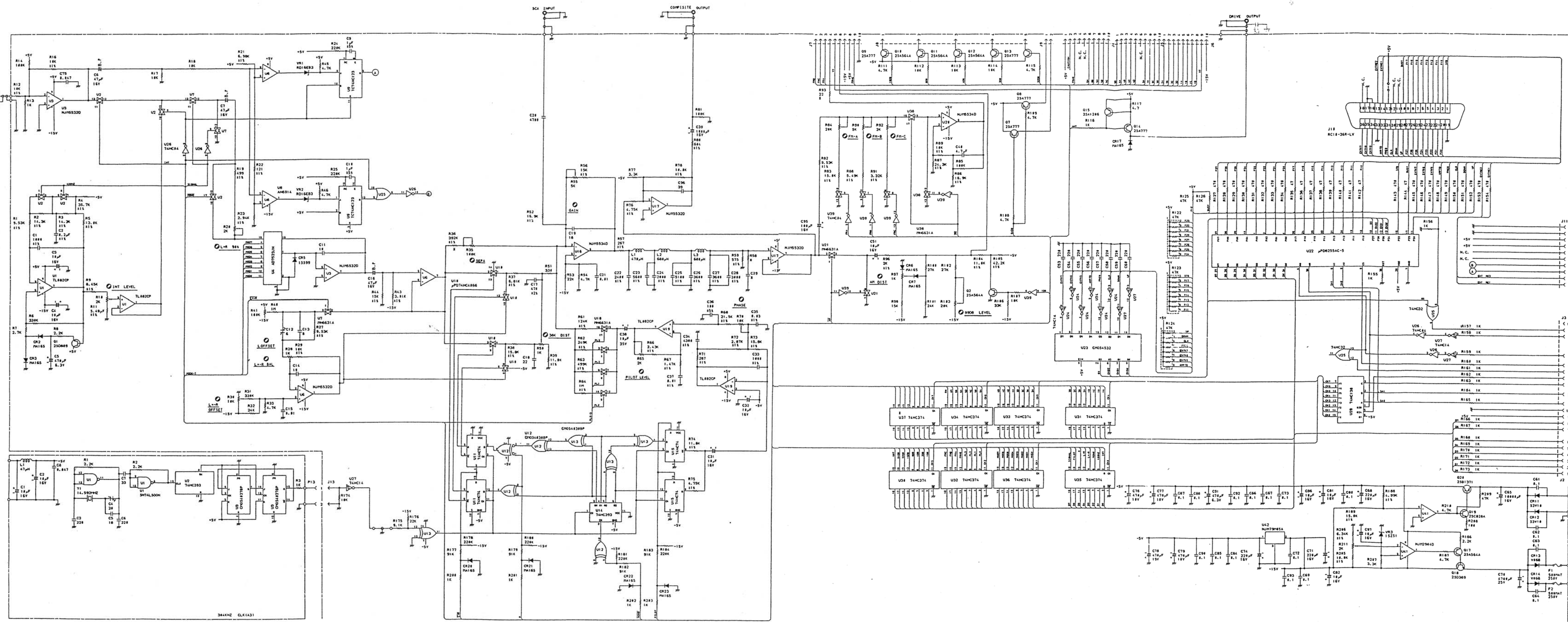


VP-8175A/P



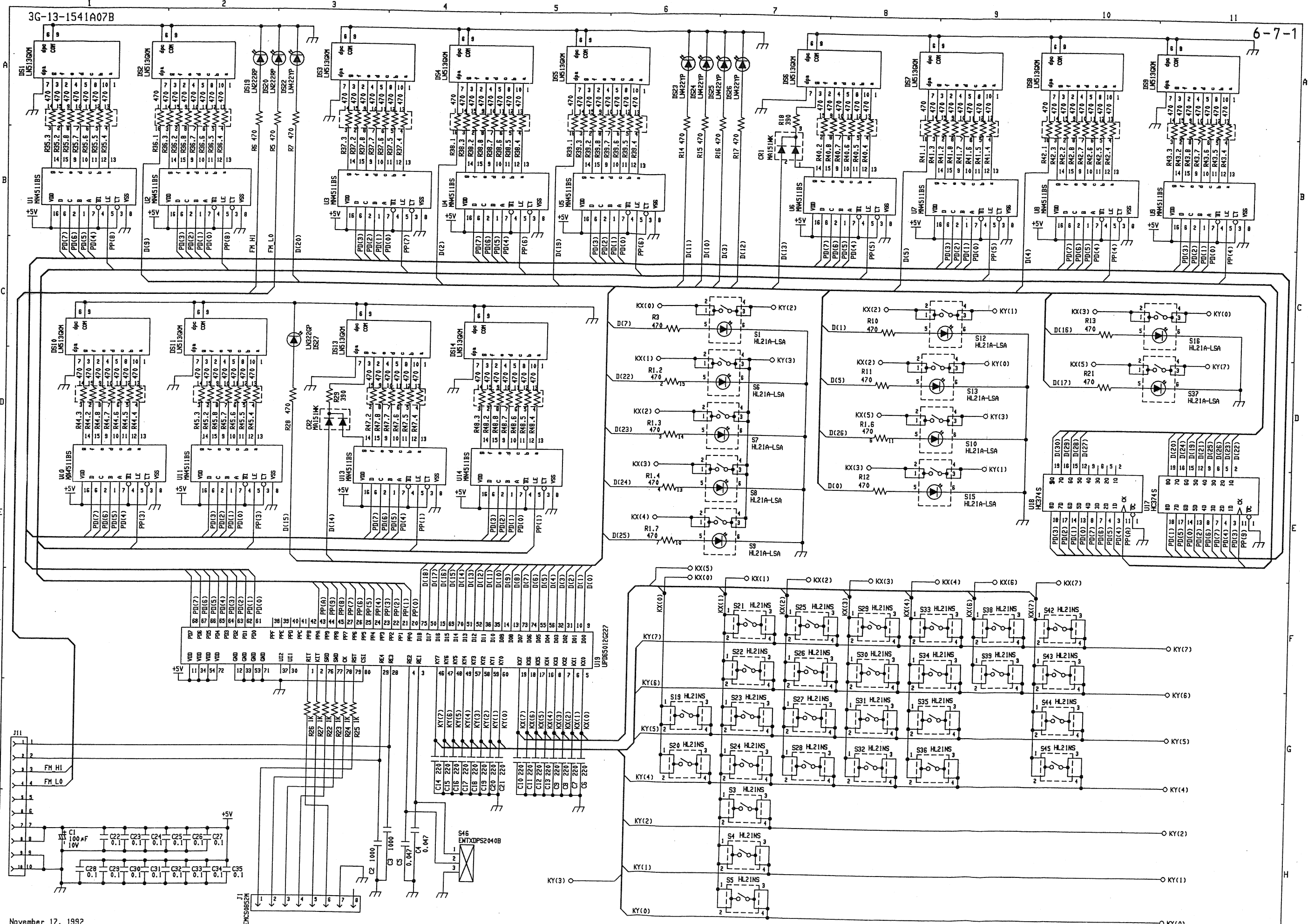


VP-8175 A



MODULATOR ASSY (A2)(A3) 2

VP-8175A



VP-8 175A

