

Section 1: General Operation

Note: "Long Press" means to press andhold the key for 2-3 seconds.

▶ Clock Setup

When the radio is Off, short press < [Clock] > to enter setup mode, press < [Clock] > again to enter the time set mode, enter 0-9 to set up the time.

▶ Power On/Off/Radio or MP3 Player Select

1. Turn On: Short press < [Radio] > to turn on the radio to enter the radio mode; short press < [MP3] > to turn on MP3 player to enter the MP3 mode.
2. Turn Off: In radio mode, short press < [Radio] > to turn off the radio, long press to turn off the main LCD, but the radio is still working; In MP3 mode, short press < [MP3] > to turn it off.
3. Switch :Switch between radio mode and MP3 player mode, in radio mode , short press < [MP3] > to enter MP3 mode; in MP3 mode, short press < [Radio] > to enter radio mode.

▶ Volume Control

1. To increase the volume, press < [Volume+] >, decrease the volume, press < [Volume-] >. Short press < [Mute] > to mute the sound

▶ Charging when the unit is powered off

In the power off mode, long press < [Power] > to exit first, then short press < [Charging] > to start charging radio. Long press < [Power] > to exit, long press < [MP3] > to charge MP3 player.

▶ Key Lock

1. Lock: Long press < [Lock] >, sub LCD shows lock sign < [Lock] >.
2. Unlock: Long press < [Lock] >, the sub LCD lock sign disappears.

Section 2: Radio Mode

For best reception, extend the telescopic antenna to the max length and set the sensitivity knob to DX for the maximum signal.

▶ To search by Memory/Step (There are two modes to search for a station, but only under step mode, you can change/Select band).

1. To select search mode: under radio mode, press < [Menu] > to open the main radio menu, press < [Memory] > or < [Step] > to select memory or step, press < [Enter] > to confirm it.
2. Select memory to enter the Page, short press < [Memory] > or < [Step] > to switch between pages, press < [Memory] > or < [Step] > to switch between different frequency in the same page. (Only in step mode you can change band by pressing band selector on the front panel)

Main LCD Details	
[MP3]	MP3 Mode
[Signal]	Power Indicator, MP3 Charging Indicator
[Volume]	Volume
[Repeat]	Repeat Play
[EQ]	EQ Mode
[Timer]	Auto Power Off Countdown Timer
[Work]	Working Mode
[MP3]	Play Mp3 File
[WMA]	Play WMA File
[WAV]	Play WAV File
[128K]	File Save Baud Rate
[Folder]	File Folder Folder compositor/File compositor

Main LCD Details	
[LW]	LW, AM
[FM]	FM
[SW]	SW
[Stereo]	FM Stereo
[Mono]	FM Mono
[SSB]	AM Wide Band SSB
[Narrow]	AM Narrow Band SSB
[Wide]	AM Wide Band
[Narrow]	AM Narrow Band
[Memory]	Memory Station page
[MIC]	MIC recod and WAV play

Sub LCD Details	
[Power]	Power Indicator, Radio Charging Indicator
[ST]	Stereo
[MP3]	MP3 Charging
[Slow]	Slow Shuttle
[Fast]	Fast Shuttle
[Lock]	Lock Knob Tuning
[Alarm 1]	Alarm 1
[Alarm 2]	Alarm 2
[Alarm 3]	Alarm 3
[Lock]	Lock Key
[12:50]	12 hours system, "i" denote afternoon
[5:17]	Before time and alarm setting display
[0:15]	Radio Alarm time
[0:15]	Radio Alarm volume

It is important to know the names and function of each knobs and buttons before using the radio.

Note: In the radio's menu, you have two ways to change bands and tune the stations in. **Step or Memory.** Only in the **step** mode can you directly change the bands from the front panel or tune the radio with the tuning knob, up-down tuning buttons or directly key in frequencies. In the **memory** mode, you can retrieve a saved station from a previously saved memory page.

Quick Guide to the Super Radio KA1121

3. Select Step to enter band selection mode. Short press < [F1] > or < [F2] > to select frequency or long press to scan the frequency, you can turn the shuttle knob to select frequency too.
4. In the step mode, press < [F3] > to enter FM band, press < [F4] > to enter AM band, press < [F5] > to enter SW band.

▶ Direct Frequency Entry

In the radio mode, short press < [F6] >, then select band from front panel, enter the number 0-9 for the frequency you want to hear. To cancel the number, press < [F7] > .

▶ Save/Delete/Memorize

1. Short press < [F8] > to save stations, to combine with other keys and numbers, < [F9] >, < [F10] >, < [F11] >, < [F12] > or two number keys to select the location to save the stations, short press < [F13] > to confirm the saving. For more details, refer to Page 8.
2. Short press < [F14] > to delete the station, combine with other keys, < [F15] >, < [F16] >, < [F17] >, < [F18] > to select frequencies you want to delete, short press < [F19] > to confirm it.
3. In “Memory” mode, direct key in numbers from 00 to 99 will pop up the page you key in, if there are more than one frequency stored in the page, the strongest signal will be selected and locked.

▶ Browse

In radio mode, press < [F20] > to enter browse mode, in the browse mode you can review pages and frequencies stored in the memory. Combine other keys and numbers < [F21] >, < [F22] >, < [F23] >, < [F24] >, or two number keys to select frequency, short press < [F25] > or < [F26] > to select confirm selection, press < [F27] > to exit. You can browse the stations while you listen to the broadcast.

▶ Setting

Short press < [F28] > to pop up the main menu, select setting, from here you can set LCD, Charger, Auto power off (10-60 min) and timers (Clock, Alarm 1, Alarm 2, Alarm 3) etc. Refer to Page 10-12 for details. To select, short press < [F29] > and < [F30] >, short press < [F31] > to confirm it.

▶ Record

- To record radio broadcasting
1. Short press < [F32] > to open the menu, in the menu, select “Record” to enter recording mode, select proper baud rate for recording, use < [F33] > or < [F34] > to select, then press < [F35] > to confirm it.
 2. Short press < [F36] > to start recording, short press < [F37] > to exit. For timer recording, refer Page 9 for more detail.
 3. If you not need band rate, you can long press < [F38] > to enter 32kbps Mp3 to record directly .

▶ Single Side Band

1. Select the SW band, choose a single side band frequency (Outside meter band), long press SSB knob to activate the SSB. Tune the Fine tuning knob to clarify the station.
2. Long press SSB to exit from the SSB mode.

▶ Charge when the Unit in operation

1. Connect the AC adaptor to the radio, short press < [F39] > to pop up the radio menu, from the setting, select “Radio Charge ” or “MP3 Charge ”, press < [F40] > to start charging.
2. Radio charging shows on the sub LCD, MP3 charging shows on main LCD. You can only select one way of charging.

▶ Weather Band

In radio mode, short press number 99 or 98 to enter the weather band. The main LCD shows 1~7 frequencies. Press < [F41] > or < [F42] > to select frequency, when the selected frequency receives a station, you will hear weather info. You can use the shuttle tuning knob to select from channels 1 to 7 for the weather station. You may be able to receive more than one station with weather info in your area, select the strongest one. Short press 00-97 to exit the weather band.

▶ Active Power Amplifier

In the radio mode, use an optional mini stereo cable to connect to the radio's line-in jack and the sound sources speaker out jack. The sound source will be played out from this radio and the radio tuner will be replaced by the sound source. So you can use this radio to amplify your iPod or other MP3 music players as a high quality speaker. For best result, set the volume of the sound source to its center position.

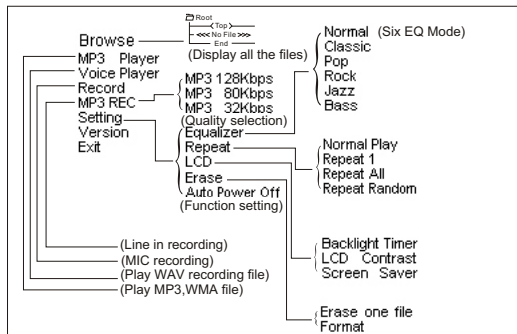
Section 3: MP3 Mode

▶ Function Menu

Short press < [F43] > to pop up the menu, you can browse files, select files, MIC record and MP3 record. You can set effects, repeat, LCD contrast, language or other features.

--Key Selection: Short press < [F44] > or < [F45] > .

--Confirm/Enter next menu: Short press < [F46] > to confirm it, and short press < [F47] > to exit all menu.



▶ Recording

- Recording: recording from the built-in microphone:
 1. Long Press < [F48] > to record.
 2. From the menu, press < [F49] > to pop up the menu, select record, then press < [F50] > to start recording.

▶ MP3 Recording

- Line in recording: connect the cord, short press < [F51] > to pop up menu, select “MP3 REC”, choose proper baud rate, then short press < [F52] > to start recording.
- Pause/Stop recording: When recording, short press < [F53] > to pause the recording, short press < [F54] > to stop the recording.
- Radio station recording: Select desired station and mode. When the reception is good, open the menu, < [F55] >, in the menu, select Record option, choose a desired baud rate (the high rate, the better the sound quality but lesser recording capability), press the < [F56] > to start record, press < [F57] > again to stop recording.

▶ Setting MP3:

- Enter set mode, you can select:
1. Theater Effects: You can choose normal, classic, pop, Jazz, Rock, and Bass, etc.
 2. Repeat: You can repeat one song, all songs and random play.
 3. LCD: set back light time.
 4. Delete file. Follow the menu to delete any files you want.
 5. Auto power off. You can select 10-60 minutes
- Short press < [F58] > to enter selection.
--Short press < [F59] > or < [F60] > to select.
--Short press < [F61] > to confirm it.
--Short press < [F62] > to exit menu.

▶ Play/Pause/Stop

Short press < [F63] > to play, short press < [F64] > to pause, short press < [F65] > to stop.

▶ Previous or Next/ Fast Forward Fast Back

1. Press < [F66] > or < [F67] > for fast forward or back.
2. Fast forward or Fast Back: In the play mode, long press < [F68] > or < [F69] > to fast forward or Fast Back. Short press < [F70] > or < [F71] > to back to normal.

▶ A-B repeat

In play mode, short press < [F72] > to set point A, short press < [F73] > again to set point B, the third press will cancel the repeat.

▶ File management: Browse all the files

Press < [F74] > to enter the next menu, Select file that you want to play, short press < [F75] > to play the file. Short < [F76] > to go back to last menu.

▶ Play Back

The MP3 player supports WMA and MP3 formats, And the voice plays WAV format only.

- Music Playback: The MP3 player plays MP3 and WMA only
- Voice Playback: Play WAV only.

Note:

This unit support standard MP3, WMA and WAV formats. This unit support English language only, for other language, you will have mess letters on the LCD.